

Symbol Legend

- Inferred chargeability anomaly axis with low resistivity association
- Inferred chargeability anomaly axis with high resistivity association

Scale 1:2500

0 50 100 150 metres

2.31641

Survey Notes:
 2V System, 12.5 Hz
 Array: 200m, n = 1 to 6
 waveform: 0.125 Hz source wave at 50% duty cycle
 Max time interval: 675 to 885 ms

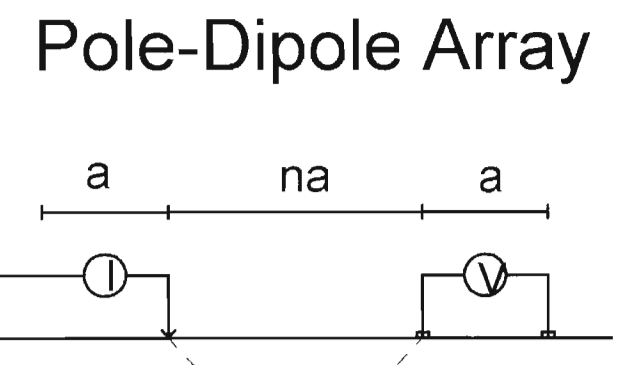
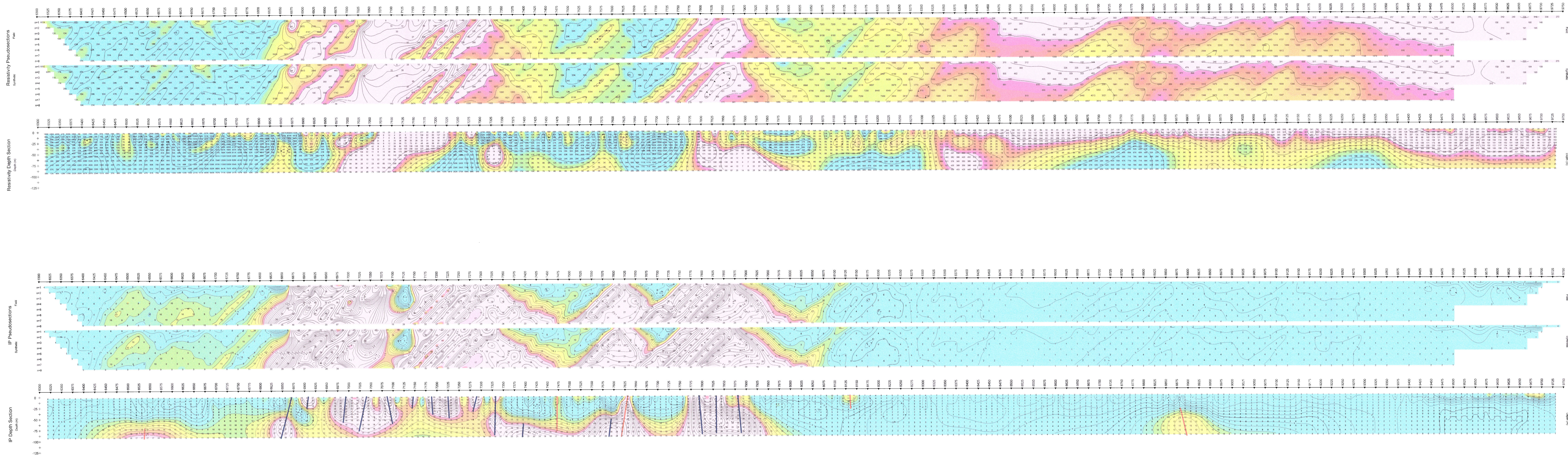
VenCan Gold CORPORATION

CAYENNE PROPERTY

Swayze Area
Ontario

LINE 925+00N
 Resistivity/IP Pseudosections
 Inversion Depth Sections
(UBC-OR DCIPSD Inversion)

Surveyed 2008 by Geoscan Geophysics Inc. for VenCan Gold Corporation.
 processed June 2008 by Geoscan Management Inc.



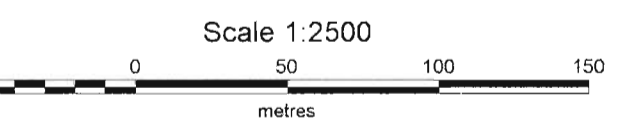
plot point
a=25m

Symbol Legend

- Inferred chargeability anomaly axis with low resistivity association
- Inferred chargeability anomaly axis with high resistivity association

2.31641

Survey Notes
 1. Inversion 1
 2. Inversion 2
 3. Inversion 3
 4. Inversion 4
 5. Inversion 5
 6. Inversion 6
 7. Inversion 7
 8. Inversion 8
 9. Inversion 9
 10. Inversion 10
 11. Inversion 11
 12. Inversion 12
 13. Inversion 13
 14. Inversion 14
 15. Inversion 15
 16. Inversion 16
 17. Inversion 17
 18. Inversion 18
 19. Inversion 19
 20. Inversion 20
 21. Inversion 21
 22. Inversion 22
 23. Inversion 23
 24. Inversion 24
 25. Inversion 25
 26. Inversion 26
 27. Inversion 27
 28. Inversion 28
 29. Inversion 29
 30. Inversion 30
 31. Inversion 31
 32. Inversion 32
 33. Inversion 33
 34. Inversion 34
 35. Inversion 35
 36. Inversion 36
 37. Inversion 37
 38. Inversion 38
 39. Inversion 39
 40. Inversion 40
 41. Inversion 41
 42. Inversion 42
 43. Inversion 43
 44. Inversion 44
 45. Inversion 45
 46. Inversion 46
 47. Inversion 47
 48. Inversion 48
 49. Inversion 49
 50. Inversion 50
 51. Inversion 51
 52. Inversion 52
 53. Inversion 53
 54. Inversion 54
 55. Inversion 55
 56. Inversion 56
 57. Inversion 57
 58. Inversion 58
 59. Inversion 59
 60. Inversion 60
 61. Inversion 61
 62. Inversion 62
 63. Inversion 63
 64. Inversion 64
 65. Inversion 65
 66. Inversion 66
 67. Inversion 67
 68. Inversion 68
 69. Inversion 69
 70. Inversion 70
 71. Inversion 71
 72. Inversion 72
 73. Inversion 73
 74. Inversion 74
 75. Inversion 75
 76. Inversion 76
 77. Inversion 77
 78. Inversion 78
 79. Inversion 79
 80. Inversion 80
 81. Inversion 81
 82. Inversion 82
 83. Inversion 83
 84. Inversion 84
 85. Inversion 85
 86. Inversion 86
 87. Inversion 87
 88. Inversion 88
 89. Inversion 89
 90. Inversion 90
 91. Inversion 91
 92. Inversion 92
 93. Inversion 93
 94. Inversion 94
 95. Inversion 95
 96. Inversion 96
 97. Inversion 97
 98. Inversion 98
 99. Inversion 99
 100. Inversion 100

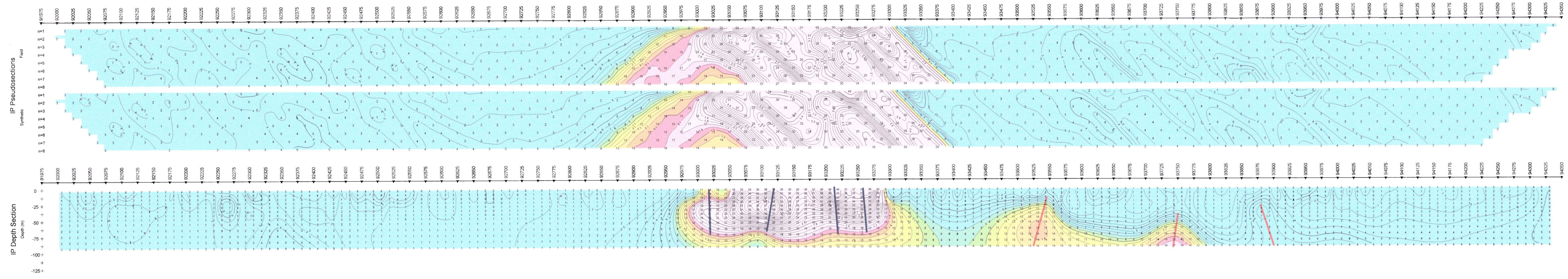
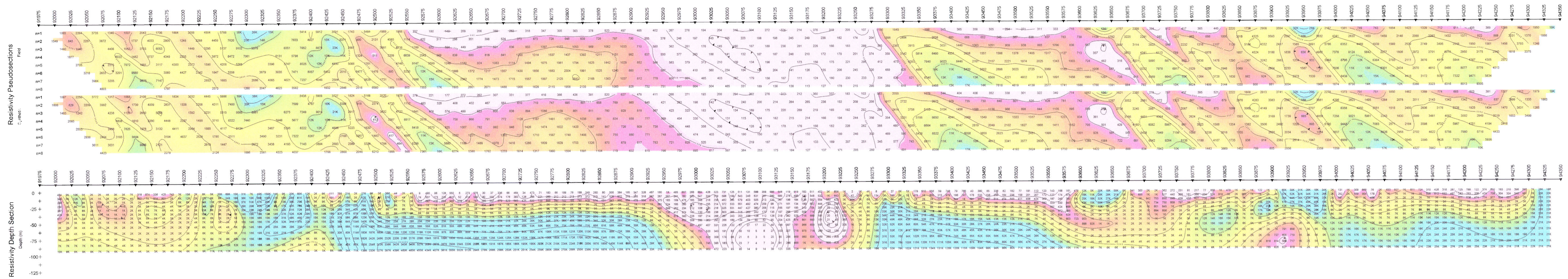


Scale 1:2500

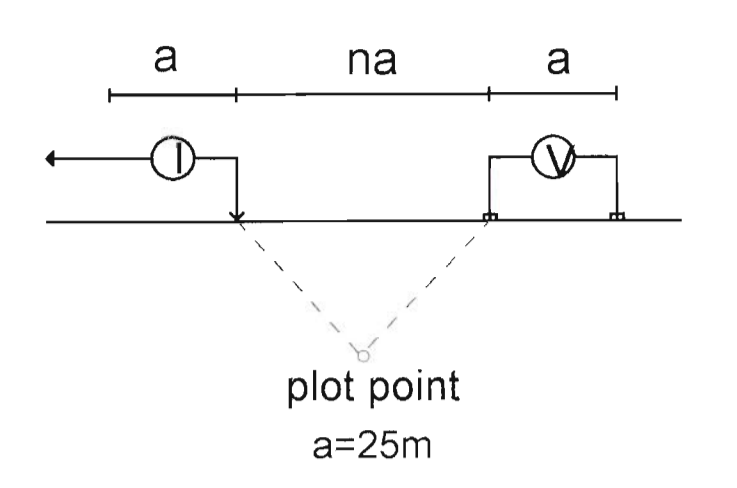
Can Gold CORPORATION
 CAYENNE PROPERTY
 Swayze Area
 Ontario

LINE 920+00N
 Resistivity/IP Pseudosections
 Inversion Depth Sections
 (JOC-GP 00120 Inversion)

Surveyed 2003 by Clearline Geophysics Inc.
 for Canac Gold Corporation
 processed June 2008 by GeoVector Management Inc.



Pole-Dipole Array

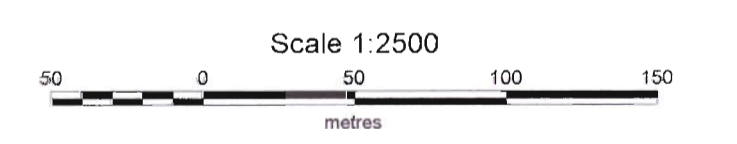


Symbol Legend

- Inferred chargeability anomaly axis with low resistivity association
- Inferred chargeability anomaly axis with high resistivity association

2.31641

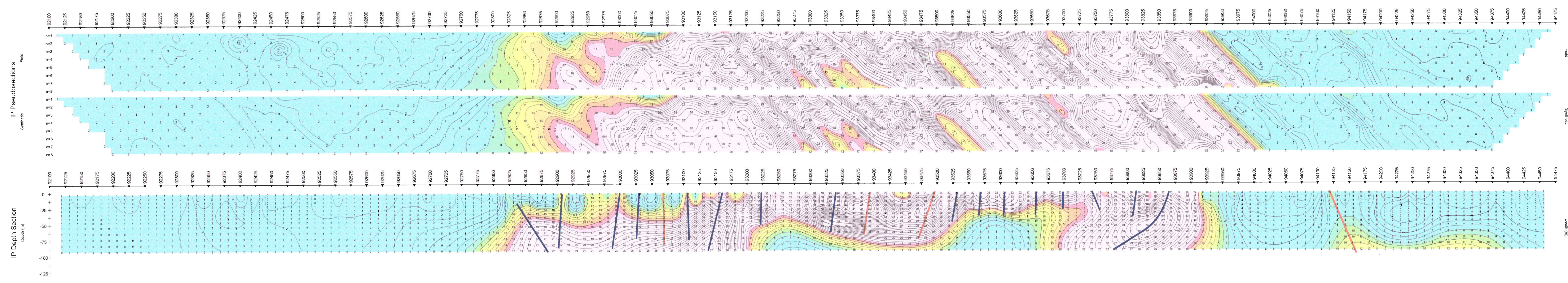
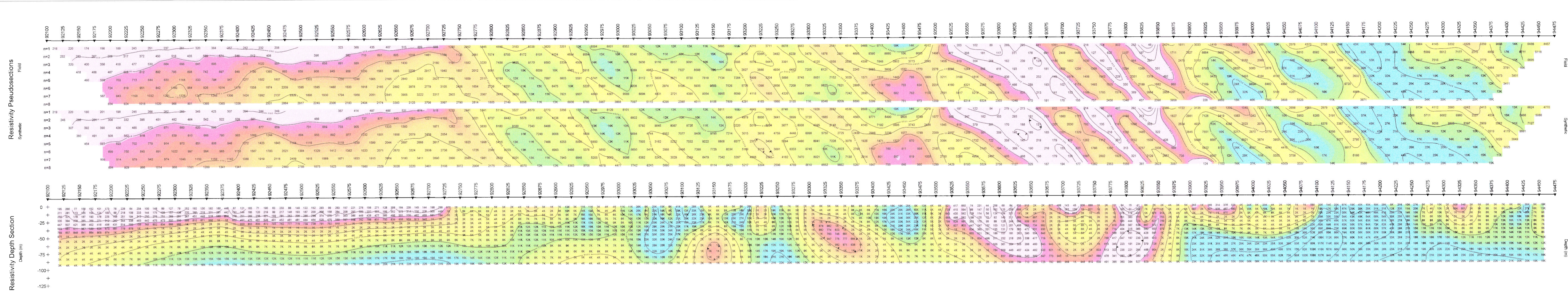
Survey Notes:
 1x Phoenix IPT-1
 2x Phoenix IPT-12
 array pole-dipole, a = 25m, n=1 to 8
 waveform: 0.125 Hz pulse wave at 50% duty cycle
 Max time interval: 675 to 655 ms



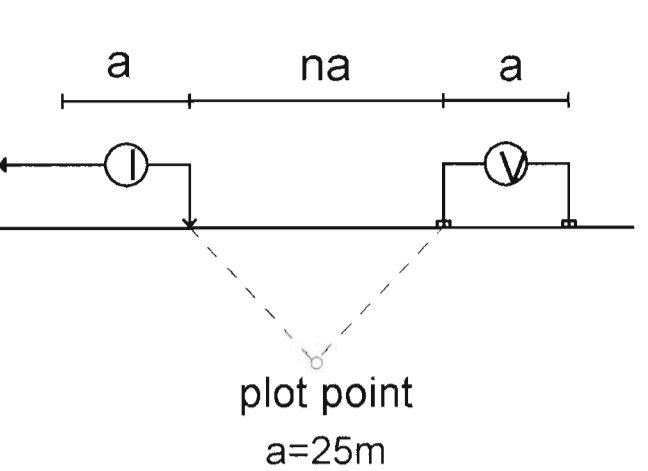
WenCan Gold CORPORATION
 CAYENNE PROPERTY
 Swayze Area
 Ontario

LINE 82+00E
 Resistivity/IP Pseudosections
 and
 Inversion Depth Sections
 (UBC-DIP DCIP20 Inversion)

Surveyed 2008 by Chiracaw Geophysics Inc.
 for WenCan Gold Corporation
 processed July 2008 by Geovector Management Inc.



Pole-Dipole Array

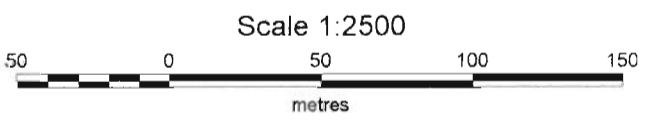


Symbol Legend

- Inferred chargeability anomaly axis with low resistivity association
- Inferred chargeability anomaly axis with high resistivity association

2.31641

Survey Notes:
 Tx: Rhombic (RT-1)
 Rx: Slinky (SL-1)
 array: pole-dipole, $\bar{a} = 25m$, $n = 1$ to 8
 waveform: 0.125 Hz square wave at 50% duty cycle
 Max time interval: 675 to 885 ms

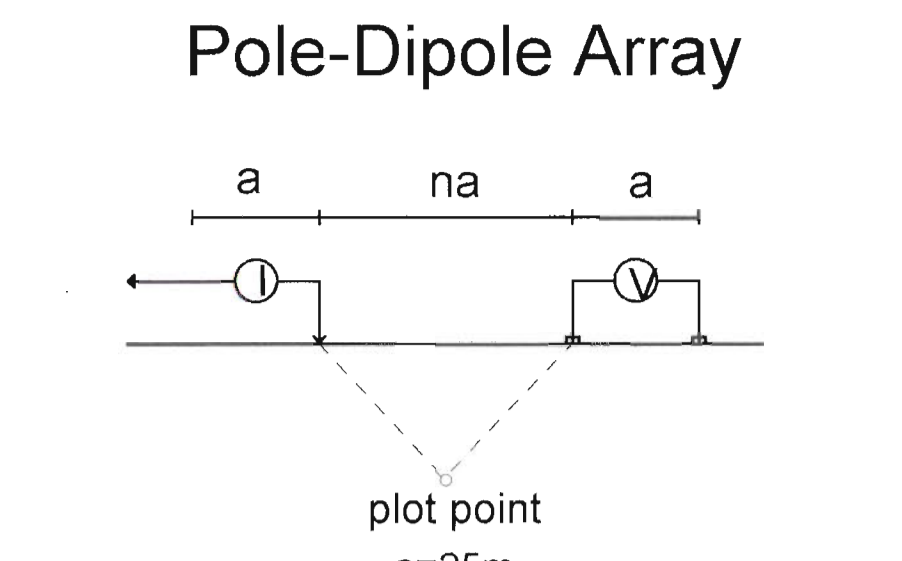
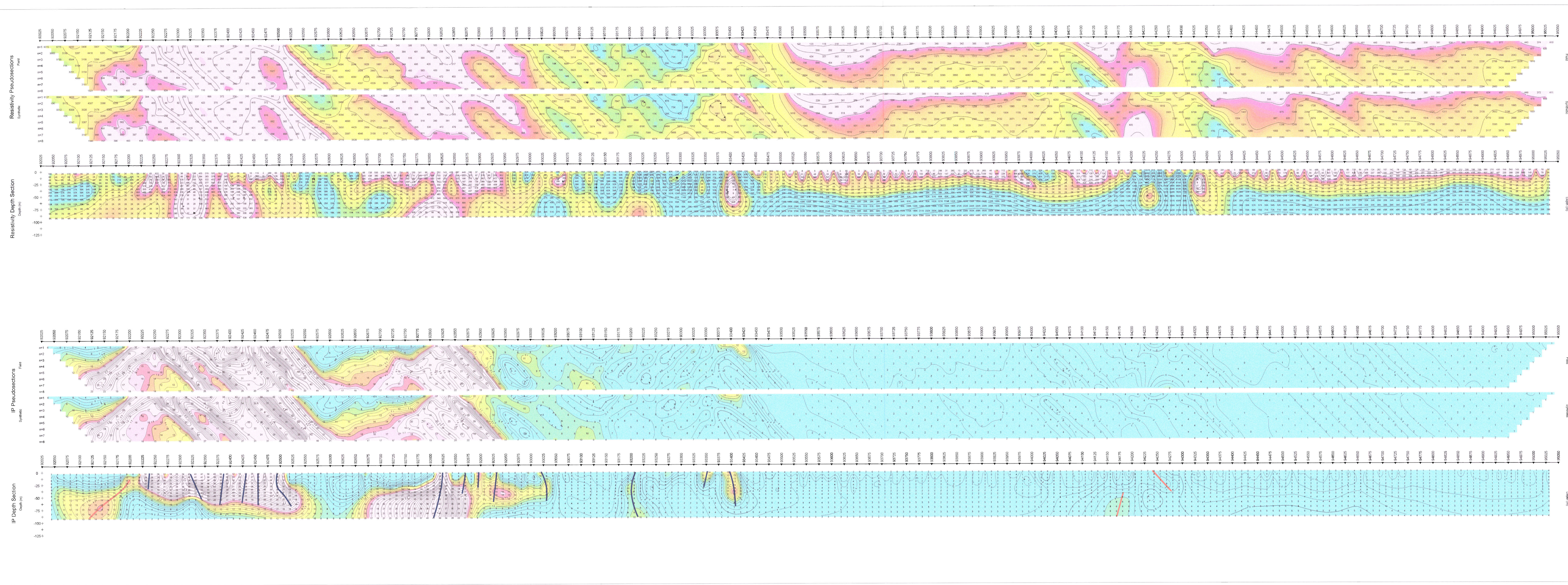


VenCan Gold CORPORATION
 CAYENNE PROPERTY
 Swayze Area
 Ontario

LINE 89+00E
 Resistivity/IP Pseudosections
 and
 Inversion Depth Sections
 (UBC-GIF DCIPSD Inversion)

Surveyed 2005 by Geosystem Geophysics Inc.
 for VenCan Gold Corporation.
 processed July 2005 by Geovector Management Inc.





Symbol Legend

- Inferred chargeability anomaly axis with low resistivity association
- Inferred chargeability anomaly axis with high resistivity association

Survey Notes:
 IP: Phoenix GE-12
 Array: pole-dipole, a = 25m, na = 1 to 8
 Ignition: 0.150 Hz square wave at 50% duty cycle
 Max time interval: 0.75 to 6.00 ms

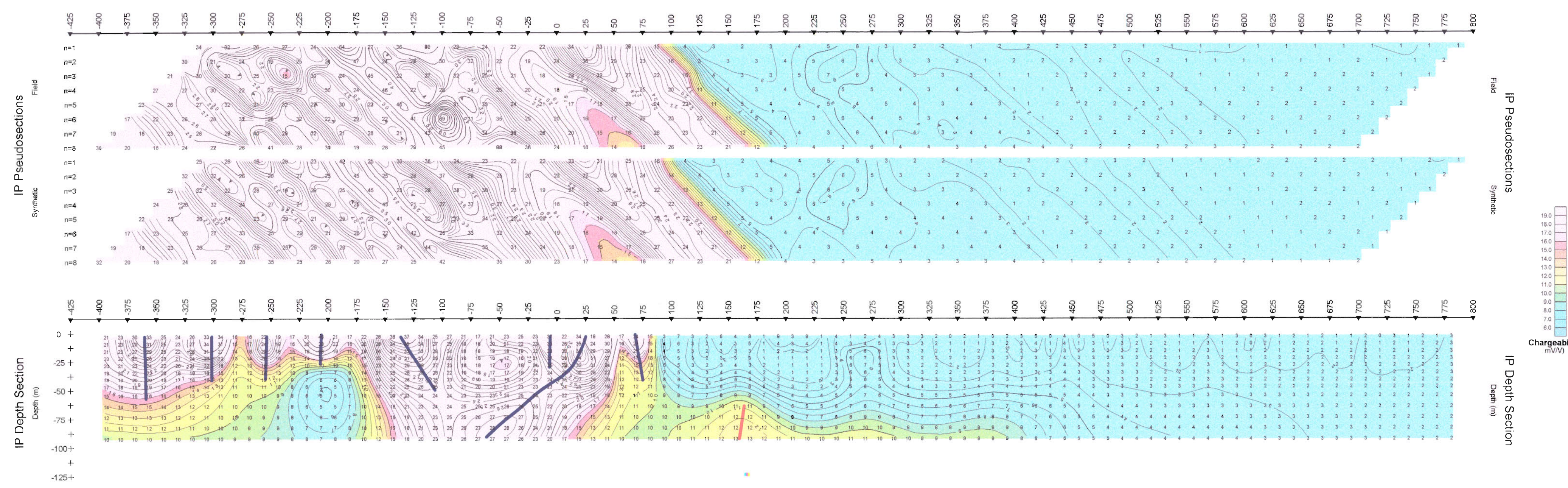
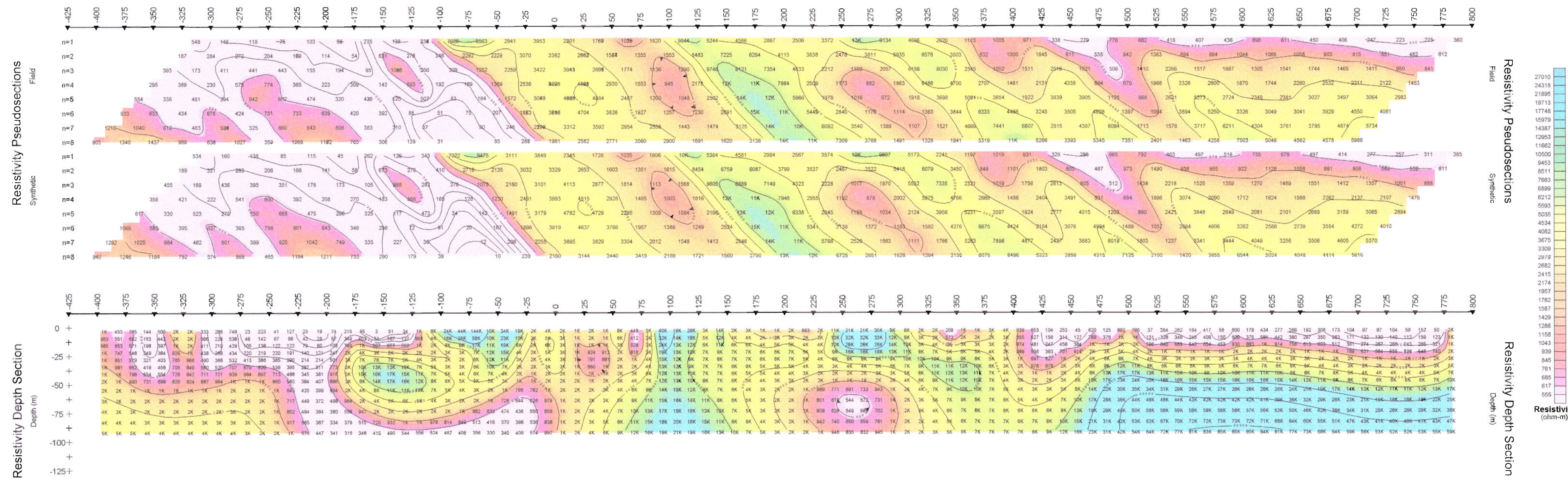
Scale 1:2500
 0 50 100 150
 metres

VenCan Gold CORPORATION
 CAYENNE PROPERTY
 Swayze Area
 Ontario

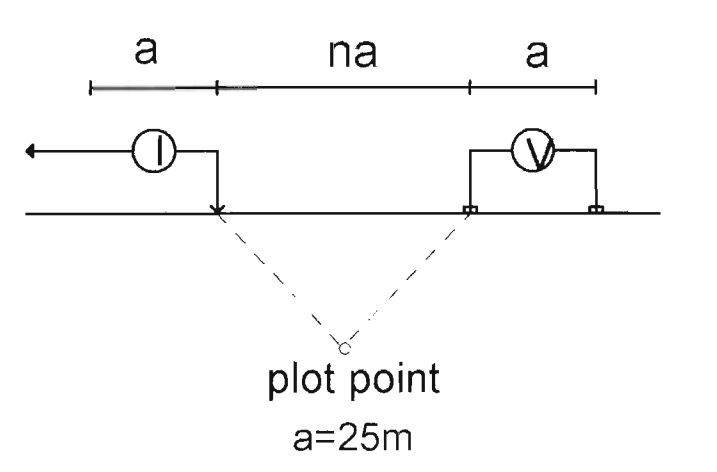
LINE 79+00E
 Resistivity/IP Pseudosections
 and
 Inversion Depth Sections
(JRC-GIP DCIPSI Inversion)

Surveyed 2005 by Claxton Geophysics Inc.
 for VenCan Gold Corporation
 Processed July 2005 by Devivector Management Inc.

2.31641



Pole-Dipole Array

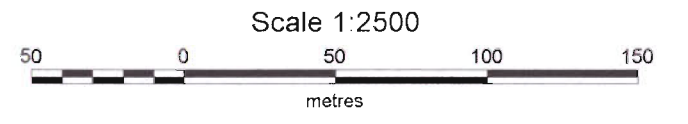


Symbol Legend

- Inferred chargeability anomaly axis with low resistivity association
- Inferred chargeability anomaly axis with high resistivity association

2.31641

Survey Notes:
 Tx: Phoenix IPT-1
 Rx: Scintrex IPT-12
 array: pole-dipole, a = 25m, n = 1 to 8
 waveform: 0.125 Hz square wave at 50% duty cycle
 Mx time interval: 675 to 885 ms



VenCan Gold CORPORATION

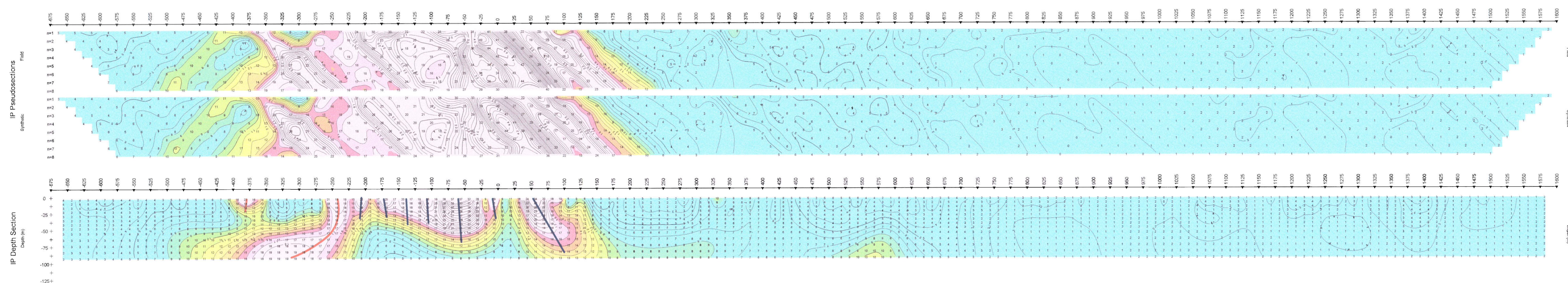
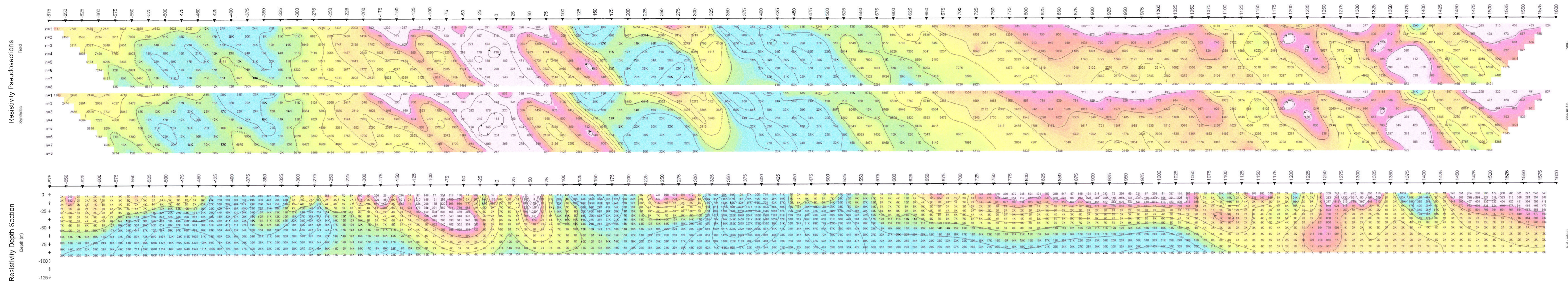
CAYENNE PROPERTY

Swayze Area
Ontario

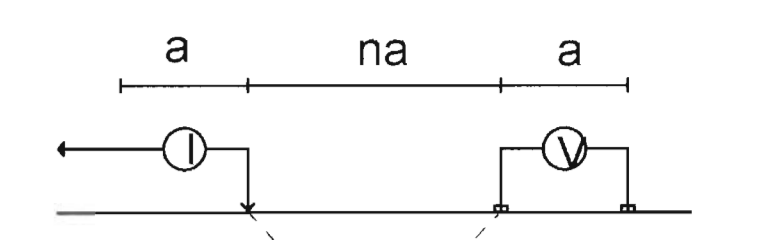
LINE 16+00W
 Resistivity/IP Pseudosections
 and
 Inversion Depth Sections
 (UBC-GIP DCIP2D Inversion)

surveyed 2006 by Clearview Geophysics Inc.
 for VenCan Gold Corporation.
 processed June 2006 by GeoVector Management Inc.





Pole-Dipole Array



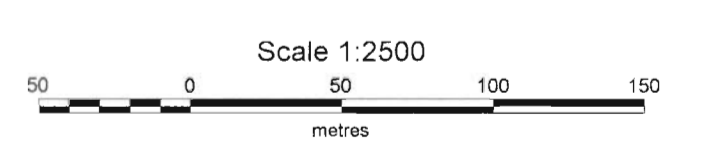
plot point
a=25m

Symbol Legend

- Inferred chargeability anomaly axis with low resistivity association
- Inferred chargeability anomaly axis with high resistivity association

2.31641

Survey Notes:
 - 1x Phoenix IPT-1
 - 1x Phoenix Link
 - Array: pole-dipole, a = 25m, n = 1 to 6
 - Transform: 0.125 Hz square wave at 50% duty cycle
 - Max time interval: 675 to 980 ms



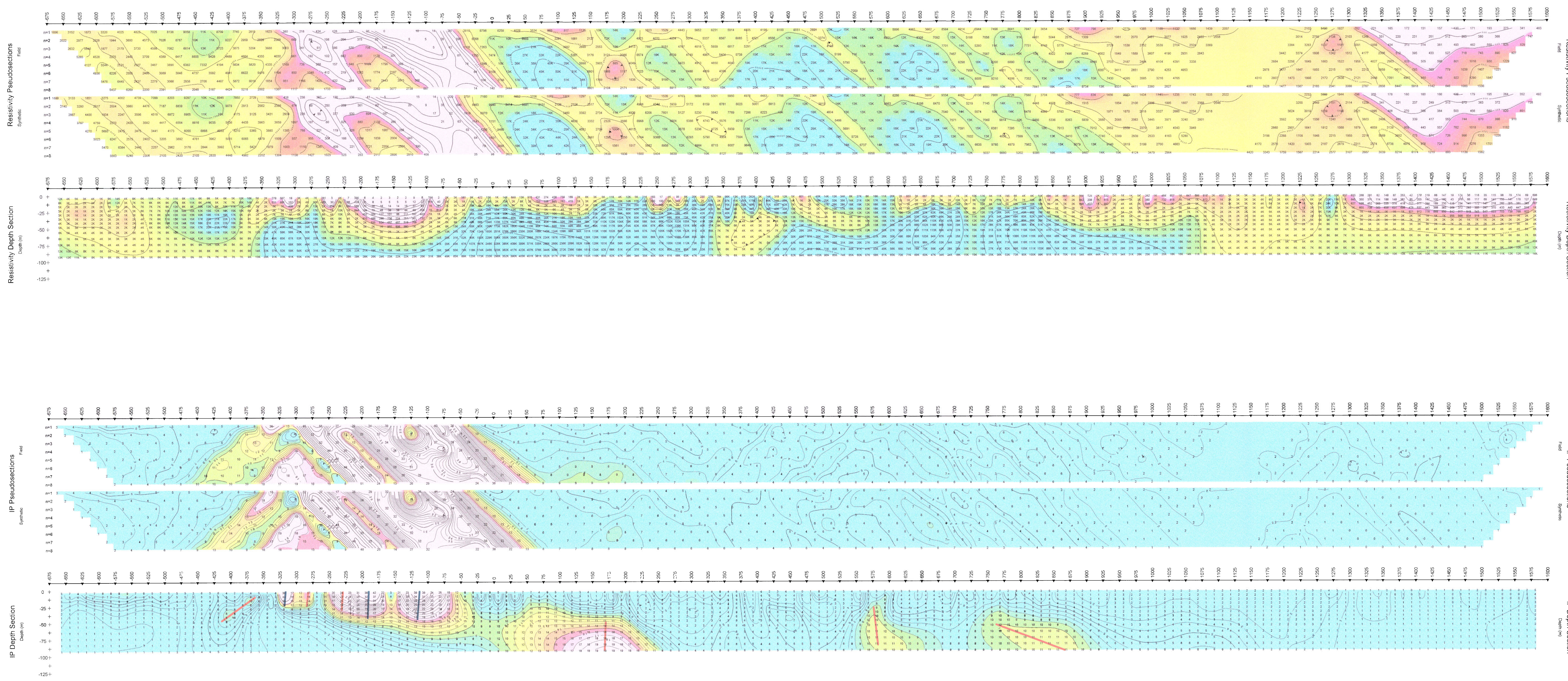
VenCan Gold CORPORATION

CAYENNE PROPERTY

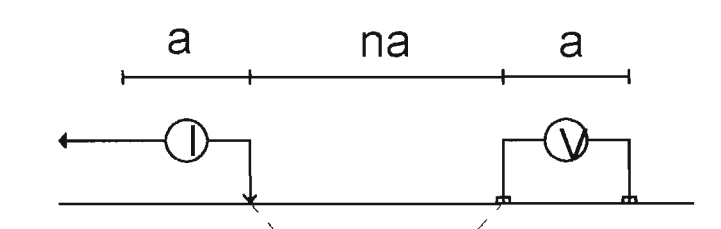
Swayze Area
Ontario

LINE 8+00W
Resistivity/IP Pseudosections
and
Inversion Depth Sections
(UBC-GIP DCIP2D Inversion)

Surveyed 2005 by Cavenay Geophysics Inc.
for VenCan Gold Corporation.
Processed June 2005 by GeoVector Management Inc.



Pole-Dipole Array



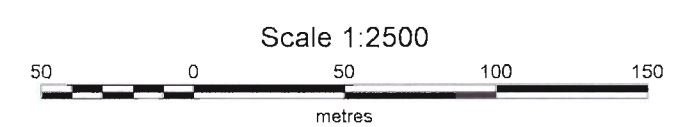
plot point
a=25m

Symbol Legend

- Inferred chargeability anomaly axis with low resistivity association
- Inferred chargeability anomaly axis with high resistivity association

2.31641

Survey Notes:
 TX: Dipole 10T-1
 RX: Dipole 10R-12
 array pole-dipole, a = 25m, n=1 to 8
 waveform: 0.125 Hz charge wave at 50% duty cycle
 10x time interval: 0.75 to 885 ms



VenCan Gold CORPORATION

CAYENNE PROPERTY
 Swayze Area
 Ontario

LINE 4+00W
 Resistivity/IP Pseudosections
 and
 Inversion Depth Sections
 (UBC-GIF DDP2D inversion)

surveyed 2004 by Clearview Geophysics Inc.
 for VenCan Gold Corporation.
 processed June 2005 by GeoVector Management Inc.

