

**Pseudo Section Plot
L2500W**

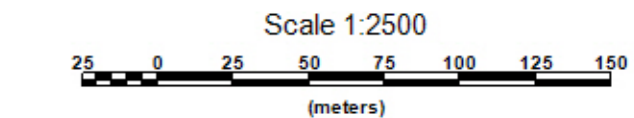
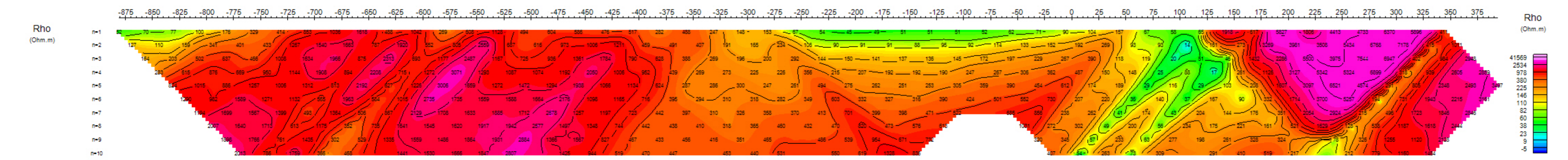
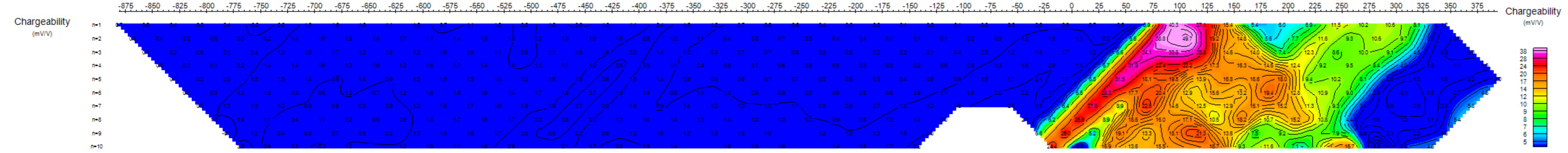
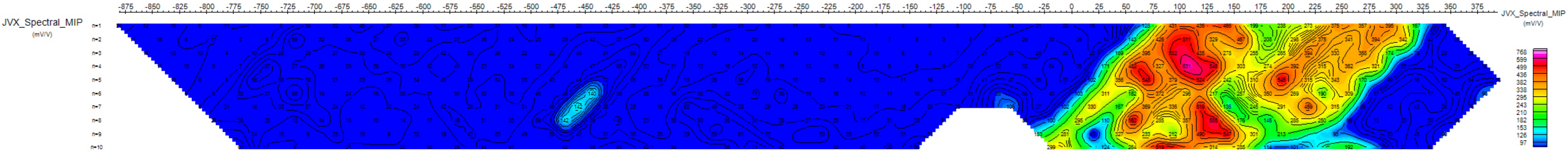
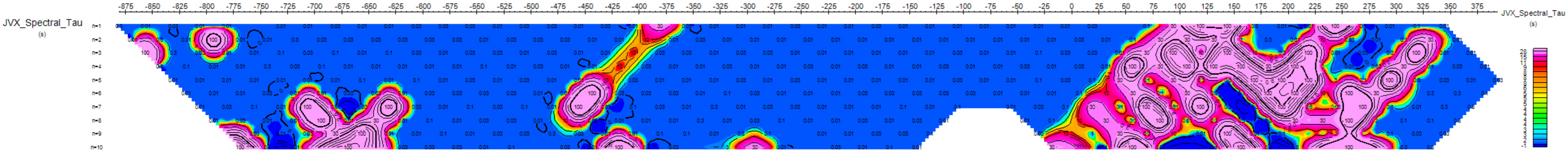
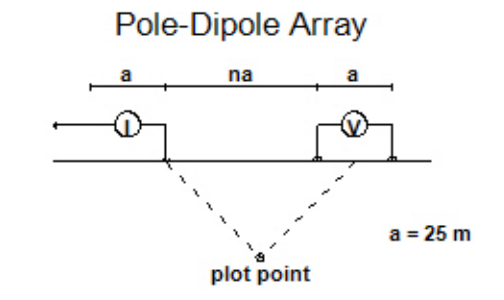


Plate 5a

GOLDEYE EXPLORATIONS LTD.
JVX SPECTRAL IP/RESISTIVITY SURVEY
NW ARM GRID - WEEBIGEE PROJECT
SANDY LAKE, ONTARIO
 Date: 19/08/2013
 Instruments: (Rx): IRIS ELREC Pro, (Tx): GDD TXII-1800W
JVX LTD. ref. no. 13-022, AUGUST 2013