

ARBUTUS / HUFFMAN TOWNSHIP

TRENCHING & DIAMOND DRILLING



4100982002 2.19329 HUFFMAN

010

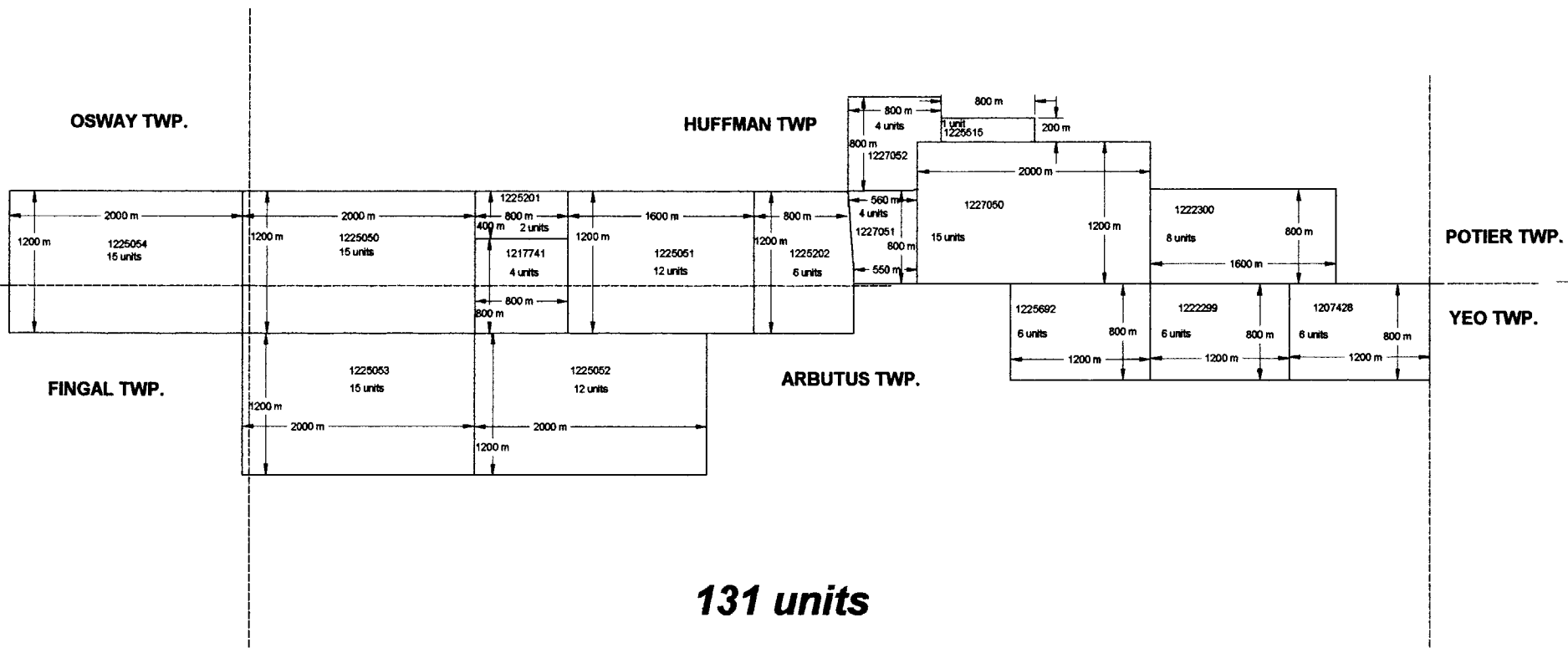


Arbutus / Huffman Twp. 1997-1998

RECEIVED
MAR 17 1999
GEOSCIENCE ASSESSMENT
OFFICE

Table of Contents:

- 1.....CLAIM MAP OF THE PROPERTY
- 2-4.....WORK REPORT
- 5.....PLAN MAP -DRILL HOLE LOCATION (98-01,98-02)
- 6.....PLAN MAP -DRILL HOLE LOCATION (98-03) & PITS
3,4,5
- 7.....PLAN MAP - PIT LOCATION 1&2
- 8.....#1 PIT
- 9.....#2 PIT
- 10.....#3 PIT
- 11.....#4 PIT
- 12.....#5 PIT
- 13-16....DRILL LOG 98-01
- 17-19....DRILL LOG 98-02
- 20-23....DRILL LOG 98-03
- 24-27....CROSS SECTIONS 98-01, 98-02, 98-03



WORK REPORT 1997,98

Trenching was done on claim # 1222299, 1222300, & 1227050 during September 30, 1997 to August 9, 1998. One trench on claim # 1222299 (Arbutus Township), one trench on claim # 1222300 (Huffman Township) and three trenches on claim # 1227050 (Huffman Township). Pit locations will be shown on map provided.

1 pit, claim # 1222299 is located 400 m North and 600 m West of #2 post. The trench was blasted to a dimension of 6.0 m long and 1.3 wide by 0.5 m deep, Bearing N 20°E. The pit was in contact of Tuff and Banded Sulfides. The gossan was blasted away and mineralization contained veins of banded sulfides (pyrite, pyrrhotite, chalcopyrite and magnetite). Banded sulfides can be from 1 mm to 50 cm wide.

#2 pit, claim # 1222300 is located 383 m north and 542 m West of #2 post, bearing North. Dimensions were 7.75 m long and .71 m wide with a depth of 0.5 m. This pit was entirely in cherty tuff beds with banded sulfides. Mineralization contained pyrite, pyrrhotite, graphite with bands of sulfides varying in widths from 1 mm to 10 cm.

#3 pit claim # 1227050 is located at 155 m south and 228 m east of #4 post, bearing north. This pit is entirely in white quartz with a dimension of 1.0 m long by 0.5 m wide to a depth of 0.5 m deep. Mineralization contained sulfides with pyrite, pyrrhotite, and chalcopyrite veinlets.

#4 pit claim # 1227050 located at 168 m south and 176 m east of #4 post, bearing north. 5.3 m long by 0.5 m wide and 0.5 m deep. This pit was in cherty tuff. Mineralization contained bands of sulfides with arsenopyrite, pyrite, and pyrrhotite. A band of Sericite Schist 0.47 m wide was encountered with a 1 cm quartz vein with pyrite.

#5 pit claim # 1227050 located 146 m south and 123 m east of #4 post, bearing north. 3.5 m long by 1.0 m wide and 0.5 m deep. This pit was also in cherty tuff with bands of sulphide containing pyrite, pyrrhotite.

Plugging was done by a Atlas Copco, Cobra, Gas Plugger at a rental rate of \$100.00 per day for 14 days.

Work was done by plugger on the following days:

DATE	WORKERS	HOURS WORKED BY EACH MAN	TYPE OF WORK PERFORMED
SEPT. 30,1997	2	8	PLUGGING & TRENCHING
OCT. 4,1997	2	8	PLUGGING & TRENCHING
OCT. 18, 1997	2	8	PLUGGING & TRENCHING
MAY 5, 1998	2	1	PLUGGING
JUNE 20,1998	2	10	PLUGGING & TRENCHING
JUNE 21, 1998	2	10	PLUGGING & TRENCHING
JUNE 22, 1998	2	10	PLUGGING & TRENCHING
JULY 25, 1998	2	11	PLUGGING & TRENCHING
JULY 26, 1998	2	11	PLUGGING & TRENCHING
JULY 30, 1998	2	10	PLUGGING & TRENCHING
JULY 31,1998	2	10	PLUGGING & TRENCHING
AUG. 8, 1998	2	10	PLUGGING & TRENCHING
AUG 9, 1998	2	10	PLUGGING & TRENCHING
AUG 22, 1998	2	1	PLUGGING
SEPT 10, 1998	1	8	TRENCHING

SEPT 11	1	8	TRENCHING
---------	---	---	-----------

Wages were \$20.00 / hour. A total of 252 hours was done on manual labor at a cost of \$5040.00.

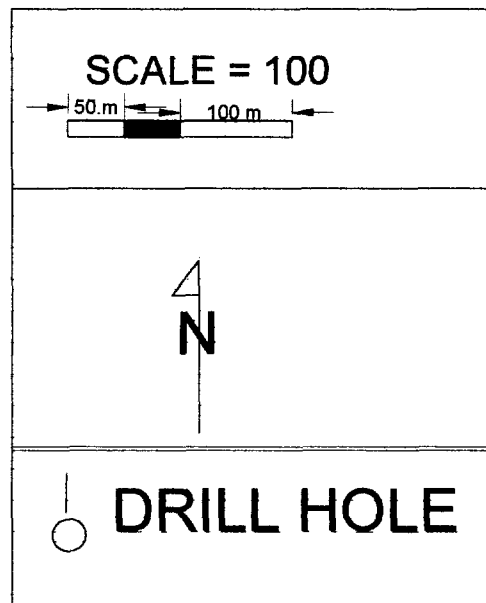
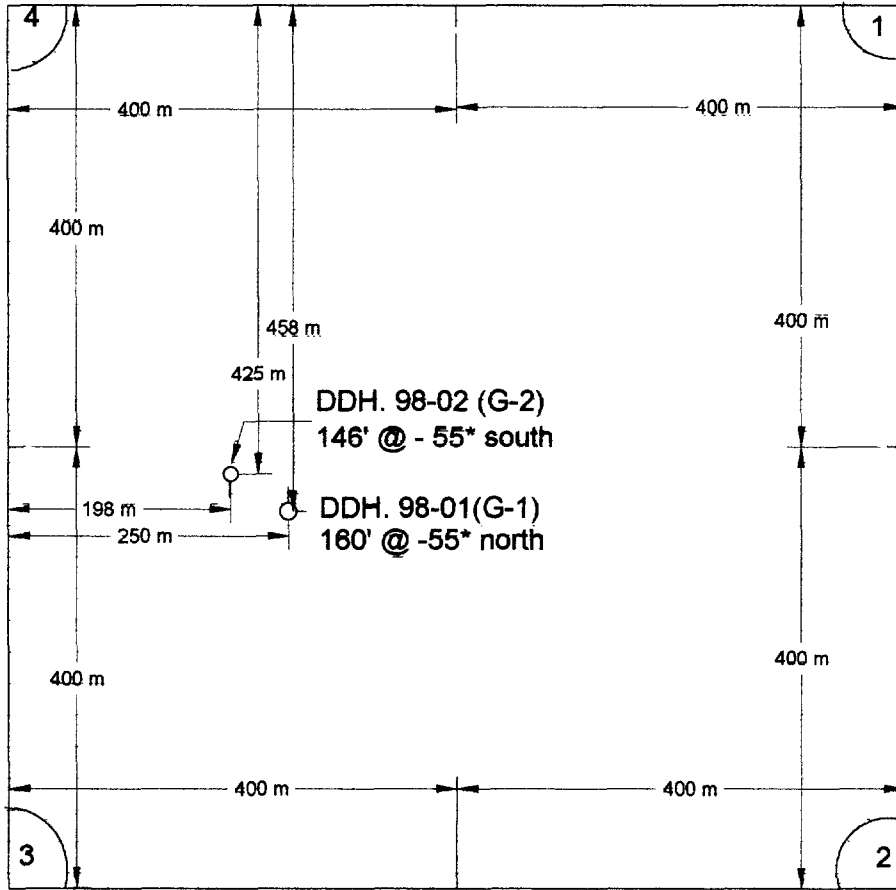
Three diamond drill holes were also drilled in Huffman Township in 1998.(Shown on Maps)

Diamond Drill Hole 98-01 commenced on May 5, 1998 and completed May 23, 1998. Located on claim # 1217741, 250 m East and 458 m South of # 4 post dipping - 55* North, 160 feet.

Diamond Drill Hole 98-02 commenced on May 25, 1998 and completed June 8,1998. Located on claim # 1217741. 198 m East and 425 m South of # 4 post. Dipping -55* South, 146 feet.

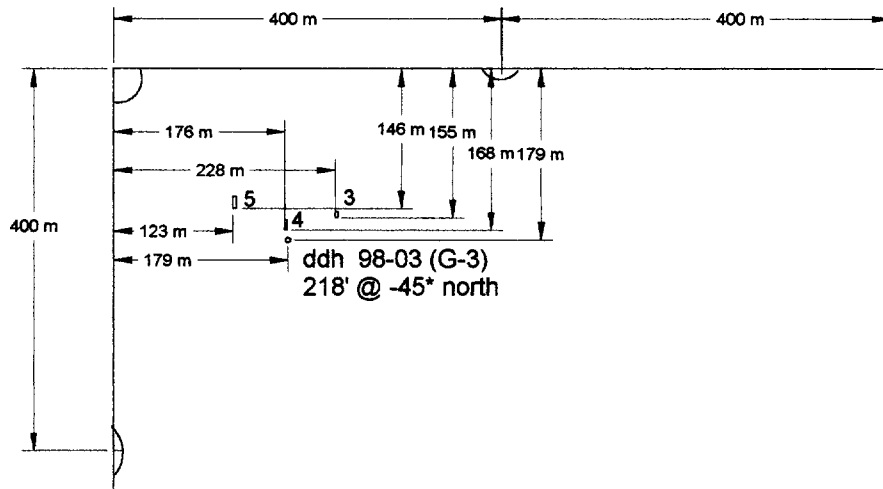
Diamond Drill Hole 98-03 commenced on August 23, 1998 and completed September 20, 1998. Located on claim # 1227050. 179 m East and 179 m South of # 4 post. Dipping - 45* North, 218 feet.

DRILL HOLE LOCATION 98-01,98-02 CLAIM # 1217741



LOCATION of PITS & DIAMOND DRILL HOLE 98-03

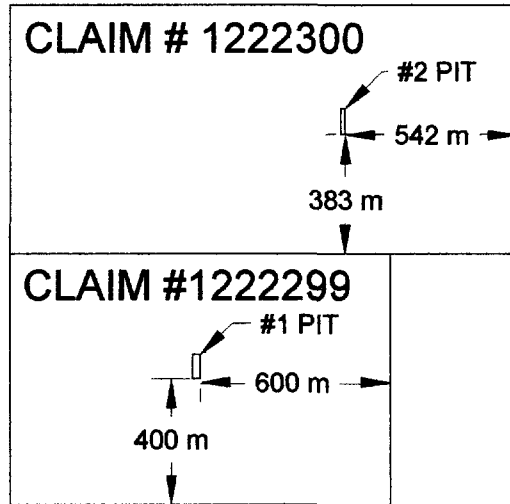
Claim # 1227050 Huffman Twp.



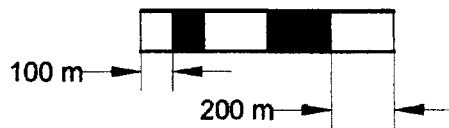
DRAWING SCALE = 100 : 1		
	PIT & NUMBER	
	DIAMOND DRILL HOLE	

ARBUTUS / HUFFMAN TWP.

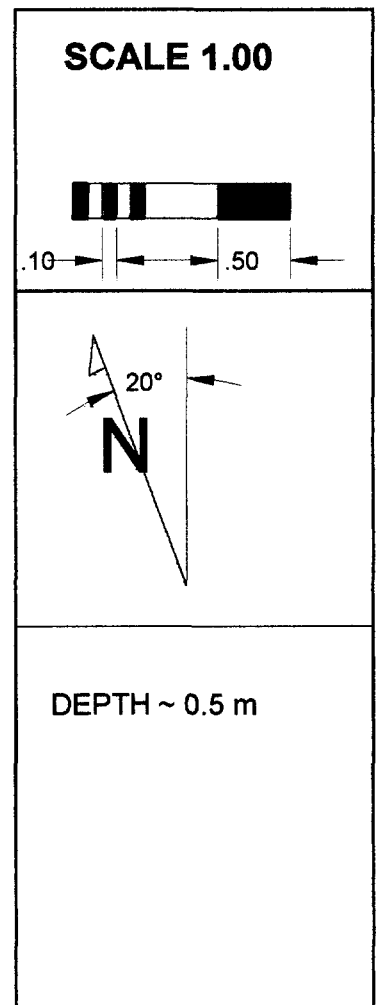
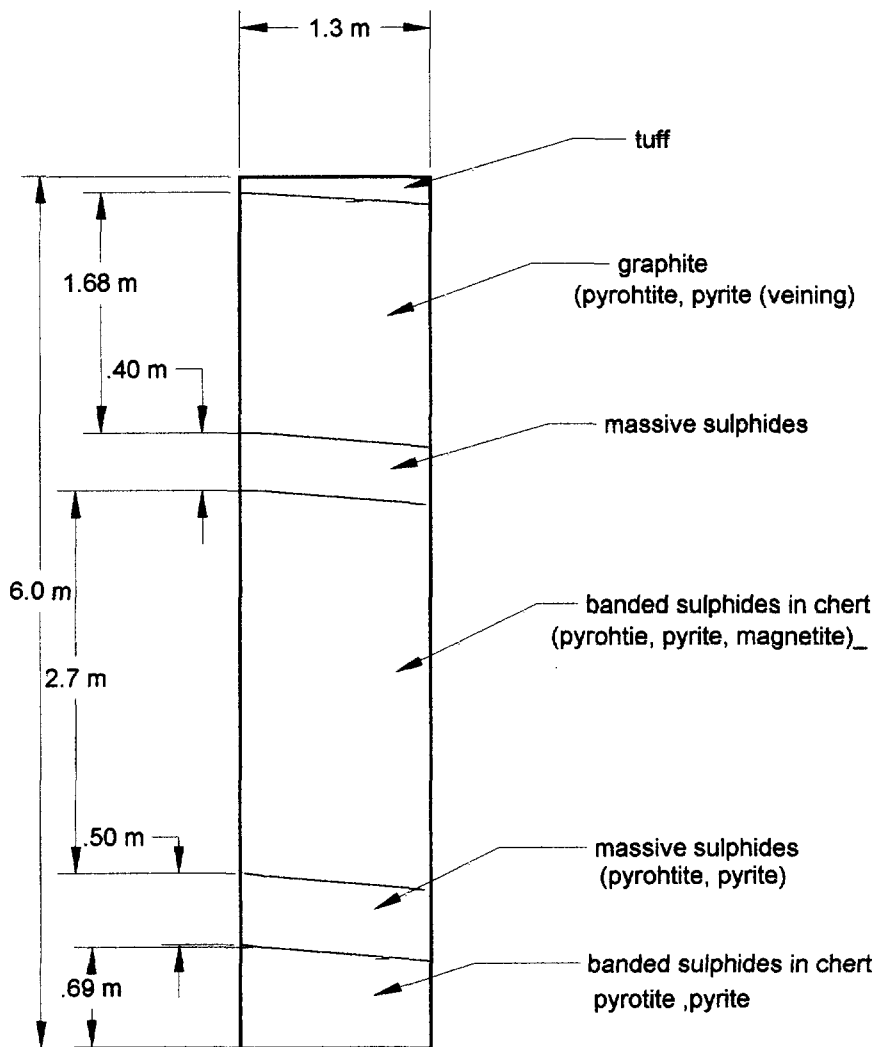
1, 2 PIT LOCATION



SCALE 500:1

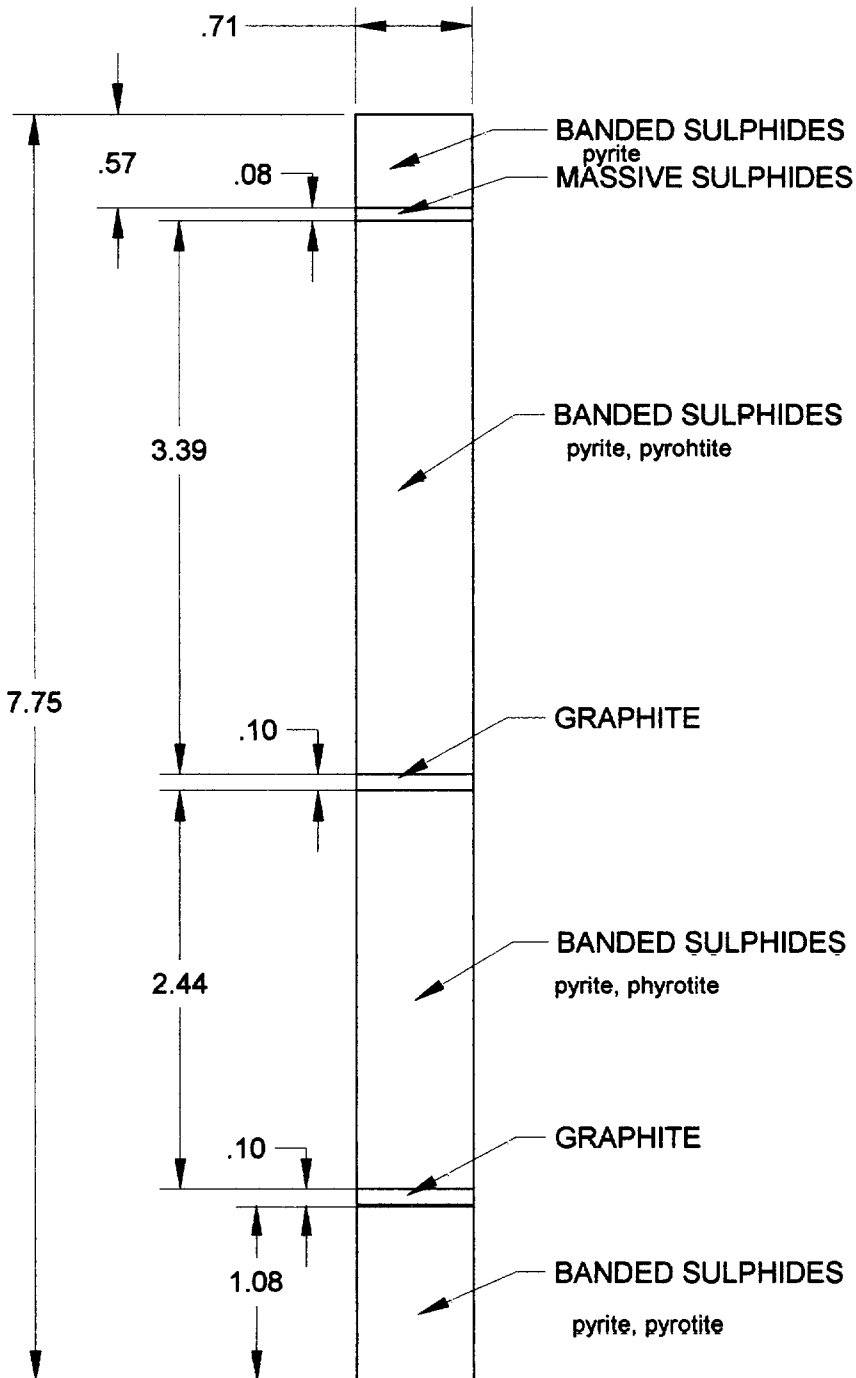


1 PIT CLAIM No.1222299 ARBUTUS TWP.



#2 PIT CLAIM # 1222300

HUFFMAN TWP.

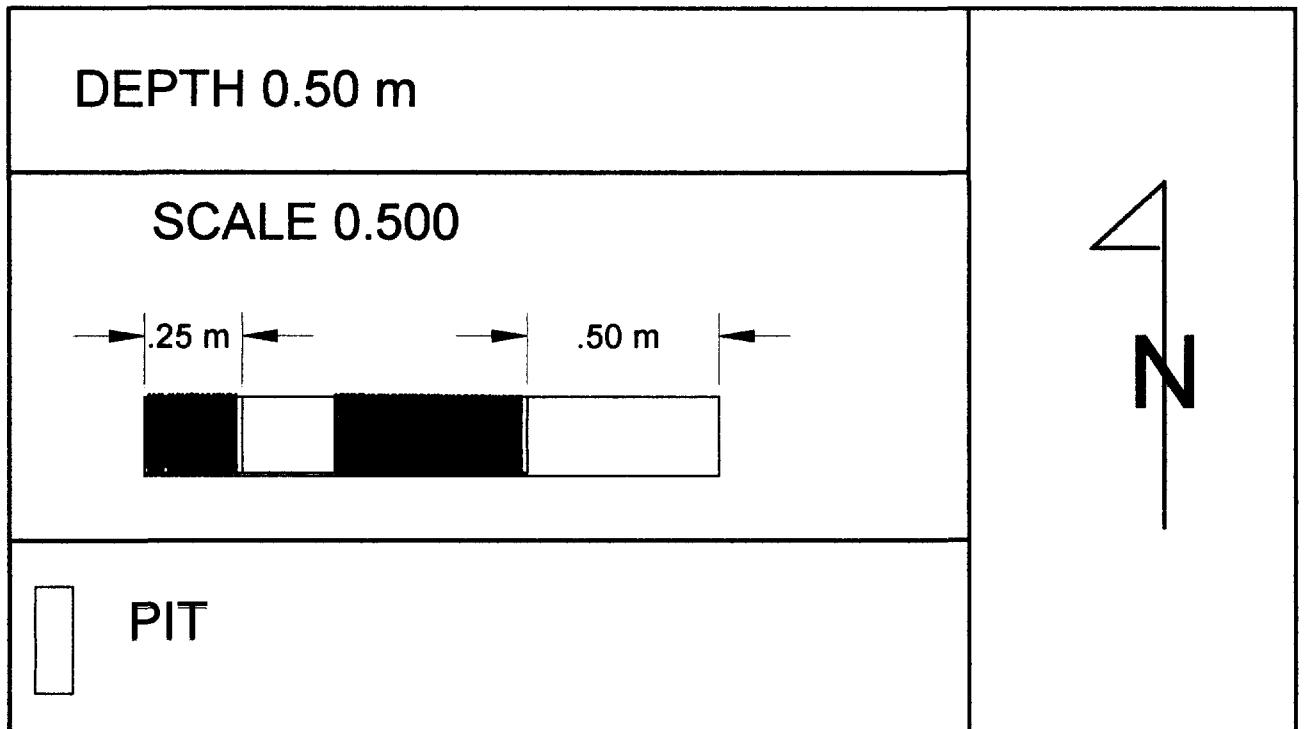
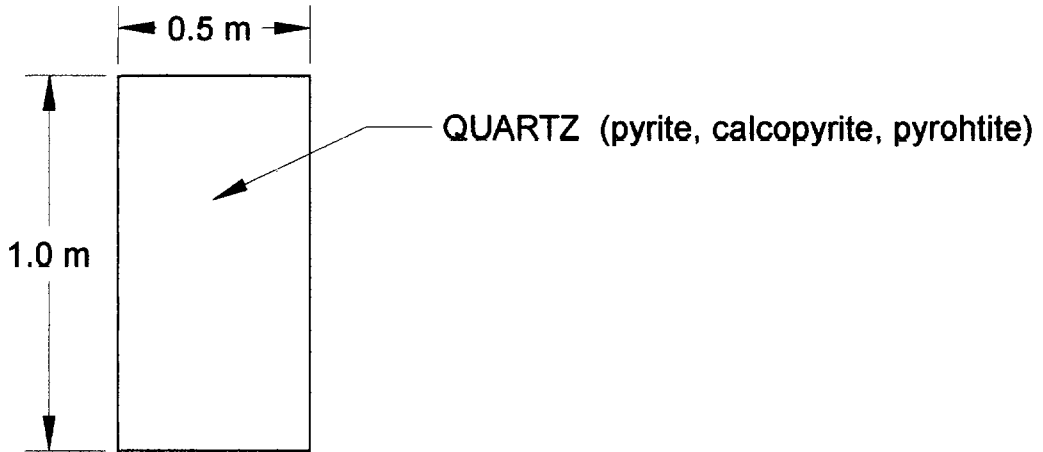


SCALE 1.00

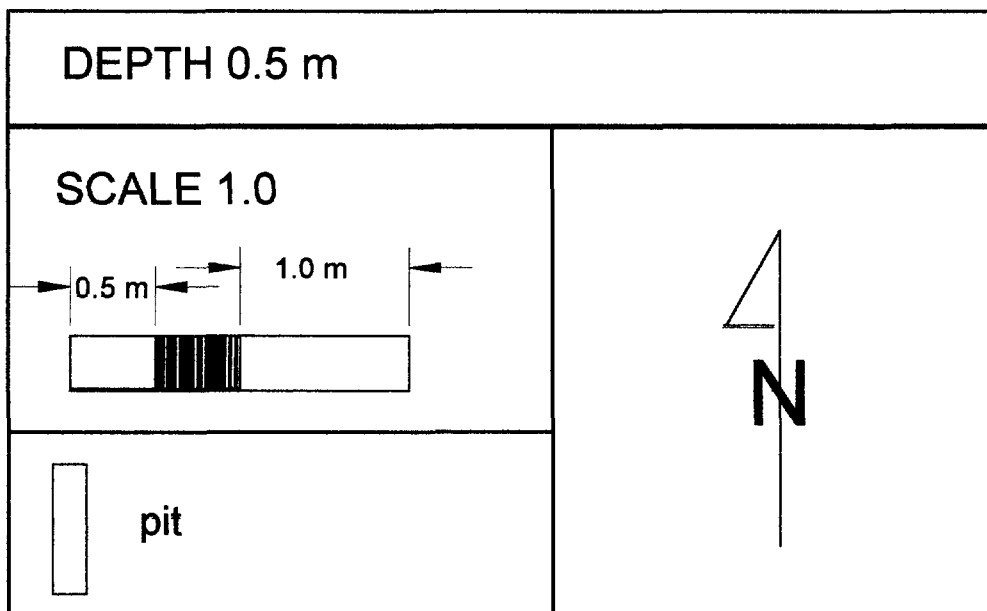
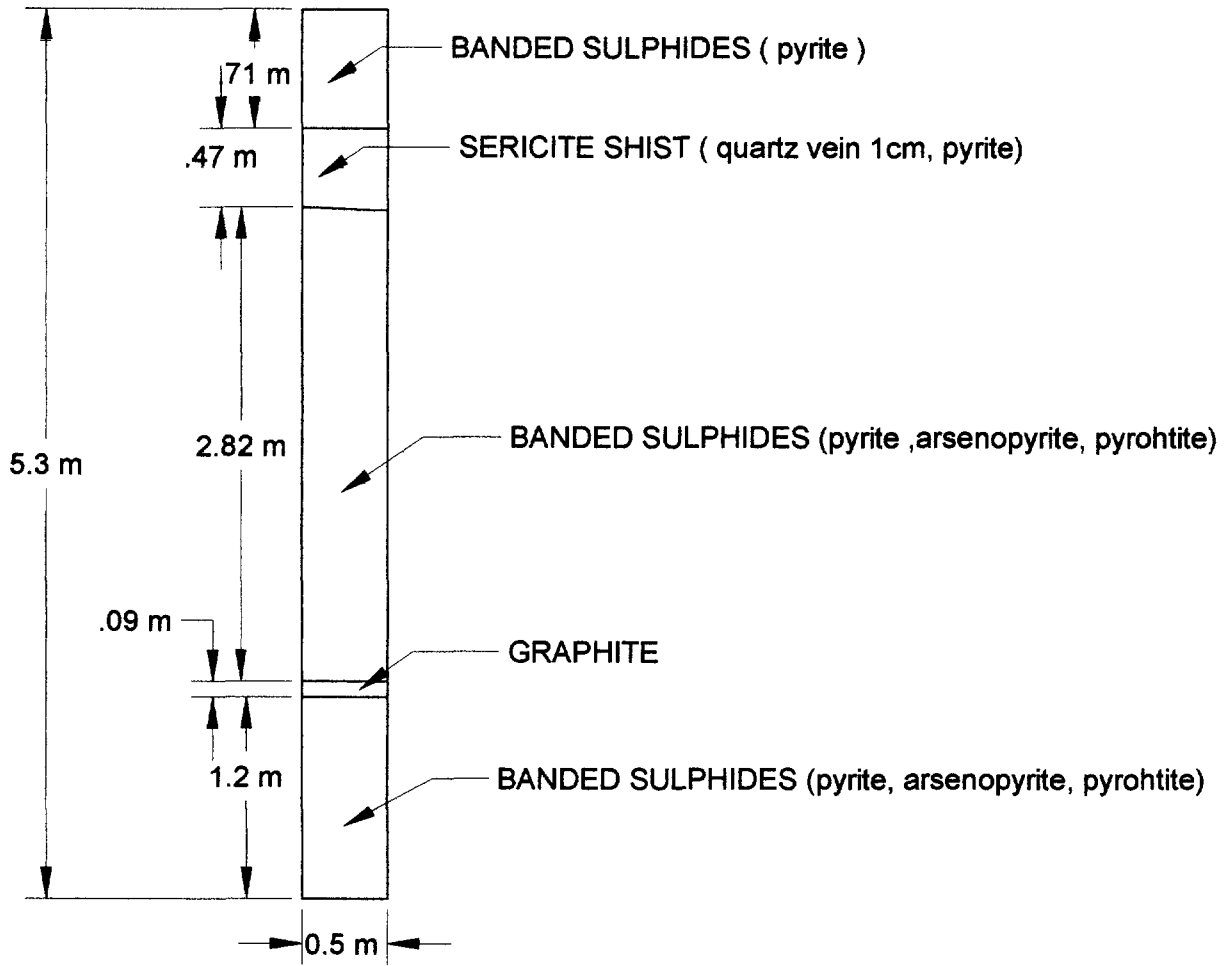


depth ~0.50 m

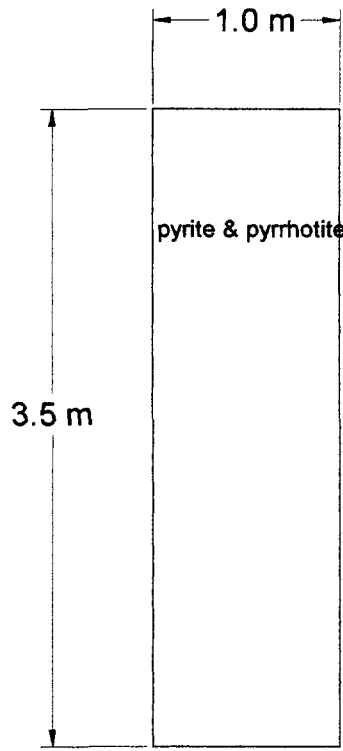
#3 PIT CLAIM # 1227050 HUFFMAN TWP.





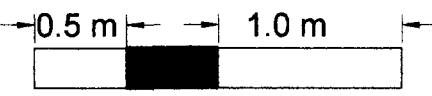
4 PIT ON CLAIM # 1227050 HUFFMAN TWP.



#5 PIT CLAIM # 1227050 HUFFMAN TWP.



**MINERALIZED BANDS of SULPHIDES
IN CHERTY TUFF**

 pit	
depth 0.5 m	
scale = 0.500	
	

DRILL LOGS

DIAMOND DRILL HOLE LOG

Property
Gagne Option
Project

Arbutus Twp.
Lot & Cont.

Arimuth
Northerly
Dip
-55°

Date
21st July 1998

Depth
160.0'

Location Sketch

Claim #
121577416 (units)

Co-ordinates

Core Size
Ext

Length
160.0'

Drilled by:

Grid #

Collar Elevation

Logged by:
J.H. Goodwin

Feet From	To	LITHOLOGIC DESCRIPTION	Sample				ppm Cu	ppm Pb	ppm Zn	ppb Au	ppm Ag
			Number	From	To	Length					
0.0	4.2	Overburden									
4.2	6.8	<u>INTERMEDIATE TUFF SEDIMENTS</u> Pale grey -thin bedded @ 45°, fine grained.									
6.8	11.6	<u>FELSIC PYROCLASTICS</u> light grey cherty fragments to 1-2" in darker grey fine grained matrix - fragment stretched in foliation @ 45°. Trace Po									
11.6	20.5	<u>FELSIC TUFF</u> thin bedded @ 30°, darker grey, weak sericite, scattered seams/patches Py to 2mm									
20.5	26.0	<u>ARGILLITE -GRAPHITIC</u> dark grey to black thin bands Py-Po to 1mm, 1-2% sulphides several narrow bands magnetite -weak IF?	901	20.5	22.8	97	1060	2550	22	0.5	
			902	22.8	26.0	88	211	1340	55/48	1.9	
			903	26.0	29.0	161	2040	5480	nil	0.7	
26.0	49.8	<u>CHERTY IRON FORMATION</u> well banded grey chert (exhalite) with scattered bands of magnetite to 2cm -wispy streaks - beds Po to 10% 42.8-47.0-15% Po as wisps/seams to 2-3mm -f.g. rims of Py.> -end of magnetite 42.8 - banding very distorted over 10" *30.0 -41.0 - 2.0' of ground core	904	29.0	32.0	45	5	44	21	0.4	
			905	32.0	35.0	20	5	36	15	0.2	
			906	35.0	41.0	56	278	550	5	0.3	
			907	41.0	42.8	40	12	86	5	0.4	
			908	42.8	45.0	60	8	70	nil	0.7	
			909	45.0	47.0	108	4	88	nil	0.8	
			910	47.0	49.8	18	1	36	2	0.3	
49.8	81.0	<u>FELSIC PYROCLASTICS</u> - ash to lapilli in grey matrix, minor sericite -scattered wisps/patches Po to 4mm to 1-2%, banding @ 40°									
81.0	85.5	<u>GRAPHITIC ARGILLITE</u> -moderate - strong graphite -thin bedded, dark grey to black -2-3% Po as thin beds/streaks to 5%p	952	81.0	85.5	85	1	129	nil	0.5	

DIAMOND DRILL HOLE LOG

HOLE No. G-1

Pg.2 of 3

Feet From	To	Description	Sample Number	From	To	Length	ppm Cu	ppm Pb	ppm Zn	% Zn	ppb Au	ppb Ag
85.5	89.6	<u>FELSIC PYROCLASTICS</u> -similar to 49.8 -81.0 -1% sulphides as Po, wispy sericite										
89.6	91.5	<u>MAFIC DYKE</u> - medium grey, fine grained, nil sulphides - upper and lower contact sharp @ 40°										
91.5	108.0	<u>FELSIC PYROCLASTICS</u> -lapilli to block tuff in dark grey matrix -scattered pods of Po to 2mm, banding @ 45° -106.0 - 108.0 - 5% Po in wispy beds to 5mm.	911 912 913 914 915	105.0 108.0 111.0 114.0 119.0	108.0 111.0 114.0 119.0 122.0		44 120 324 147 229	21 2500 6860 5470 5660	127 9580 12000 >20000 >20000		9 9 7.2 10 nil	0. 0. 1. 1. 2.
108.0	119.0	<u>CHERTY RHYOLITE PYROCLASTICS</u> -very hard light grey frags in dark grey matrix banding @ 45°-55° -more Py than Po, - 5% Py, 2-3% Po scattered patches galena to 2x4mm, -1% scattered patches/seams sphalerite to 1-2mm 2-3%	916 917 918	122.0 125.0 129.0	125.0 129.0 134.0		199 138 62	4760 99 102	14000 686 451		12 nil 9	1. 0. 0.
119.0	125.0	<u>MINERALIZED BRECCIA ZONE</u> -very distorted cherty rhyolite in sulphide rich matrix -10-15% Po, 5% Py trace sphalerite -scattered white qtz. veins to 2"										
125.0	134.0	<u>GRAPHITIC ARGILLITE</u> -very distorted with some foliation parallel to core axis. Weak sulphides -mod. carbonate alteration as thin seams to 1-2mm										
134.0	160.0	<u>INTERMEDIATE TUFF</u> pale green-grey, thin bedded @ 45° -weak wispy sericite 135.5-136.0 irregular qtz-carb. vein with patches Py to 4mm										
160.0		<u>END OF HOLE</u>										

DIAMOND DRILL HOLE LOG

HOLE No.G-1

Pg.3 of 3

Feet From To	DESCRIPTION		
<u>CORE RECOVERY</u>			
30.0-41.0	2' ground core		
106.0-114.0	2' ground core		
114.0-120.0	3' ground core		
120.0-125.0	1' ground core		
125.0-129.0	2' ground core		
129.0-137.0	3.5' ground core		
137.0-140.0	1' ground core		

Property Gagne Option Project: Arbutus Twp Lot & Conc.
 Claim # 121374
 Grid #
 Azimuth Southerly Dip -55°
 Date 21st July 1998
 Core Size EXT Length 146.0'
 Drilled by:
 Collar Elevation Logged by: J.R Goodwin

Location Sketch

Feet From	To	DESCRIPTION	Sample Number	From	To	Length	Assays							
							ppm Cu	ppm Pb	ppm Zn	ppm Au	ppb Ag			
0	7.0	Overburden												
7.0	30.0	<u>INTERMEDIATE TUFF</u> -pale grey green, thin bedded @ 30-45° -scattered patches/seams of Py to <1% -mod. wispy sericite												
30.0	37.5	<u>MAFIC DYKE</u> -Pale grey, fine grained, uniform texture nil sulphides, lower contact @ 30°												
37.5	42.0	<u>FELSIC CHERTY PYROCLASTICS</u> - hard grey cherty frags to 5x1" in dark grey matrix -becoming moderately distorted -5% Py in wispy seams and patches -increasing Po to 2-3% down the section	919	37.5	42.0		67	1300	4090	5	0.7			
			920	42.0	45.0		113	228	863	10	0.8			
			921	45.0	48.0		173	58	195	nil	1.2			
			922	48.0	51.0		179	17	229	7	0.9			
			923	51.0	54.0		159	33	209	nil	1.1			
42.0	84.0	<u>MINERALIZED CHERTY TUFF BRECCIA</u> - bedding very distorted with sulphide rich matrix - 10-15% Po as patches/smears -15-20% Po locally over 2-3' - 5%-10% f.g. Py as wispy seams 74.5 - 84.0 - bedding becoming more uniform, less sulphides 2-3% Po, 1% Py 54.0-55.0 Mafic Dyke.	924	55.0	58.0		128	568	2227	5	1.0			
			925	58.0	61.0		162	35	268	5	1.0			
			926	61.0	65.0		108	2280	5800	2	0.9			
			927	65.0	68.0		113	47	305	3	0.8			
			928	68.0	71.0		132	16	320	nil/2	1.1			
			929	71.0	74.5		90	124	1880	2	0.9			
			930	74.5	80.0		55	81	284	2	0.8			
			931	80.0	84.0		134	17	98	7	0.8			
84.0	93.5	<u>FELSIC CHERTY TUFF</u> -thin bedded cherty beds @ 45° -seams/patches Po to 2-3% -weak patches/smears of chlorite	932	84.0	87.0		76	8	202	17	0.8			
			933	87.0	90.0		69	10	207	9	0.9			
			934	90.0	93.5		40	24	318	2	0.6			
			935	93.5	96.0		78	8620	16200	nil	1.8			
			936	96.0	99.5		40	34	159	2	0.3			
93.5	107.5	<u>FELSIC TUFF - GRAPHIC ARGILLITE</u> -light grey, well bedded @ 45° with scattered graphic argillite sections to 1-2 -weak sericite	937	99.5	101.5		131	1710	4600	51/65	2.6			
			938	101.5	104.0		129	792	5580	nil	1.2			
			939	104.0	113.0		148	2110	8120	19	3.8			

DIAMOND DRILL HOLE LOG

HOLE No.G2

Pg.2 of 3

Feet From	To	Description	Sample Number	From	To	Length	ppb	ppm	%	ppm	%	ppb
							Cu	Pb	Pb	Zn	Zn	Au
93.5	117.5	93.5-94.5 graphitic tuff, 2-3% Po	940	114.0	117.5		75	1410		3270		3
		99.5-113.0 graphitic tuff, 3-5% Po	941	117.5	119.5		749	>20000	2.34	>20000	7.06	51
		100.0 - scattered patches galena and sphalerite	942	119.5	121.5		326	3470		19100		2
		103.0 - scattered patches galena, sphalerite	943	122.0	123.5		531	2100		8340		nil
		113.0-114.0 Mafic Dyke	944	123.5	125.0		63	3650		18200		nil
		115.0-116.0 Graphitic argillite 2-3% Po increasing Po to bottom of section to 5% Po/1.0	945	125.0	128.0		79	2160		4880		nil
			946	128.0	131.0		51	274		880		19
			947	131.0	135.0		204	1590		4160		10/2
117.5	119.5	<u>LAMPROPHYRE DYKE</u> -black, f.g. crystals to 5mm -several felsic frags to 3" with 1-2% Po, trace cpy.	948	135.0	138.0		52	1660		6500		nil
			949	138.0	141.0		30	11		81		nil
			950	141.0	144.0		50	8		48		nil
			951	144.0	146.0		31	6		41		nil
119.5	121.0	<u>FELSIC TUFF</u> -pale grey-green, thin bedded @ 30° semi-massive seams Po to 2" with 5-7% Po, 3-5% Py										
121.0	122.0	<u>MAFIC DYKE</u>										
122.0	123.0	<u>FELSIC TUFF</u> -similar to 119.5-121.0 seams/patches Py/Po to 3cm to 2-3%										
123.5	125.0	<u>GRAPHITIC ARGILLITE</u> mod-strong graphite, dark grey to black thin bedded @ 40° -5% Po increasing to 10% Po to bottom of section										
125.0	146.0	<u>FELSIC PYROCLASTICS WITH SULPHIDES</u> -light grey cherty fragments in pale grey matrix with scattered patches/seams Po to 5-8% -several narrow qtz veins to 1" with tourmaline.										
146.0		<u>END OF HOLE</u>										

DIAMOND DRILL HOLE LOG

HOLE No.G2

Pg.3 of 3

Feet From	To	DESCRIPTION	Sample Number	ASSAYS								
				From	To	Length	Cu	Fe	Zn	Au	Ag	
		<u>CORE RECOVERY</u>										
		54.0 - 65.0 5' ground core										
		65.0 - 74.5 1' ground core										
		74.5 - 80.0 2.0' ground core										
		80.0 - 84.0 2.0' ground core										
		104.0 - 113.0 6.5' ground core										

PAL

DIAMOND DRILL HOLE LOG

HOLE No.G-3

Property	Top Huffman Top Lot & Conc.	Ashworth grd-235 Drilled 45° northerly	Date started October 24, 1998	Corrected Depth:	Dip Mag. Az	Taxi True Az	(°) Dip	Location Sketch
Claim #	Co-ordinates	Length (metres)	Drilled by:					
1227050		218.0m	M & Y Oague					
Grid #	179m East; 179m south of #4 post claim	Collar Elevation	Logged by:	Cure				
	122 7050		J Goodwin	EXT				

Metres From	To	DESCRIPTION	Sample Number	From	To	Length	est % Py	est % Cp	est % Sph	ASSAYS Angb	ppm Ag
0	21.3	<u>INTERMEDIATE - FELSIC LAPILLI TUFF</u> -pale grey-green -light grey felsic frags to 1/4 x 1.5" -scattered qtz eyes/ frags to 1/8" -scattered patches/ veins disseminated pyrrhotite to 1/4" -bedding at 50° C.A.									
21.3	38.0	<u>INTERMEDIATE - FELSIC ASH TUFF</u> -pale grey-green -fine grained, thin bedded -pale, blue-grey siliceous beds to 1" -scattered lapilli tuff beds to 12" -bedding at 50° to 70° to C.A. -broken white qtz vein to 1.5"	1551 1552 1553 1554 1555 1556 1557 1558	30.0 33.5 38.0 41.0 43.2 45.5 52.0 55.0	33.5 38.0 41.0 43.2 45.5 52.0 55.0 57.2						
38.0	51.2	<u>CHERTY TUFF (SULPHIDES - ASP. PY. PO.)</u> -light creamy grey -hard blue-grey siliceous beds -moderate sericite -very distorted with seams / patches Py/Po as matrix -locally up to 20% sulphides 43.2 - 45.5 - Angillite - dark grey- black thin bedded, bedding at 60° C.A. -beds/seams/Py/Po to 1/4" - 2-3% sulphides 45.5 - 52.0 - patches/ seams/ needles in arsenopyrite to 1/8" to 3-5% beds seams Py/Po to 1/2"									

DIAMOND DRILL HOLE LOG

HOLE No.G3

Pg.2 of 4

Metres From	To	Description	Sample Number	From	To	Length	wt %	wt %	wt %	Assays	ppm	ppm	ppm		
							Py	Cy	Sph	Au ppb	Ag	Cu	Zn		
61.2	96.0	<u>INTERBEDDED FELSIC TUFF/ARGILLITE</u> -Pale dark grey to grey green -very fine grained + thin bedded in part -very distorted to breccia zones over 2" -light grey chert beds to 1/4" -weak sericite -bedding @ 55° C.A. -scattered small patches/seams Py/Po to 1/4" -bedding @ 40° at bottom of section	1559 1560 1561 1562 1563 1564 1565 1566 1567 1568	61.2 66.0 72.0 78.0 86.0 91.0 96.0 101.0 105.0 110.0 114.5	66.0 72.0 78.0 86.0 91.0 96.0 101.0 105.0 110.0 114.5										
96.0	101.0	<u>GRAPHITIC ARGILLITE</u> -distorted argillite with chert bx to 6" -semi-massive seams Po to 1/2" to 10% sulphides -sulphides as fracture filling	1569 1570 1571 1572 1573	114.5 122.0 126.0 131.0 135.0	122.0 126.0 131.0 135.0										
101.0	126.0	<u>CHERTY TUFF WITH SULPHIDES</u> -Light grey-green cherty beds to 2" with many thin hair-line fract's -some qtz remobilization -coarse cubic pyrite as fracture filling to 5% -weak to mod. sericite -few scattered argillite beds to 3" -wispy disseminated seams Po to 3% -banding at 70° to C.A.	1574 1575 1576 1577	138.0 142.3 147.0 153.5	142.3 147.0 153.5										
126.0	142.3	<u>ARGILLITE WITH SULPHIDES</u> -Dark grey with light grey felsic interbeds to 1" -Patches/seams Po to 1/2" <u>135.0-138.0 -GRAPHITIC ARGILLITE / SEMI-MASSIVE SULPHIDES</u> -becoming very distorted with patches semi massive Po/Py to 6" to 50% sulphides 141.0 - 142.3 - similar to 135.0 to 138.0 - 20% sulphides													

11
PROJSMT
HMTW

RCC-70-CR/

RCC-70-CR/

DIAMOND DRILL HOLE LOG

HOLE No. G3

E-2

Metres From	To	DESCRIPTION	Sample			wt % Py	wt % Cp	wt % SpH	Assays	
			Number	From	To				Length	As
142.3	158.0	<u>CHERTY TUFF WITH SULPHIDES - Po, Py, Zn S, As</u> -mod. fract'd/distorted with seams/patches sulphide matrix -as Po, Py, Zn S, trace of asp -local bedding @ 90° to C.A. -Scattered thin seams/ patches Zn S to 3-5%								
158.0	160.0	<u>LEAN IRON FORMATION</u> -grey cherty beds to 2" with dk. grey magnetite rich beds to 1" at 50° to C.A.	1578	158.0	160.0					
160.0	168.5	<u>CHERTY TUFF</u> -pale green grey weak sericite. -scattered thin seams/patches Py/Po to 1/4" to 3-5% -bedding @ 40° to C.A.	1579 1580	160.0 164.5	164.5 168.5					
168.5	191.0	<u>INTERBEDDED CHERTY TUFF : ARGILLITE</u> -Pale grey-green cherty beds with scattered graphitic argillite to 12" -weak sericite. -graphitic argillite to 12" -weak sericite -graphitic argillite carries 5% Po/Py as beds/seams to 1/4" -scattered patches/seams Po/Py in felsic tuff to 3% -bedding @ 45° to C.A.	1581 1582 1583 1584	168.5 173.5 178.5 186.0	173.5 178.5 186.0 191.0					
191.0	197.0	<u>QUARTZ VEIN WITH SULPHIDES</u> -white to dark grey -mod. fract'd + rehealed with sulphides (Py, Po) and tr. tourmaline -patches/seams Py/Po to 1/4" becomes stronger near upper - lower contacts to 10% sulphides.	1585	191.0	197.0					

DIAMOND DRILL HOLE LOG

HOLE No.G3

Metres		Description	Sample Number	From	To	Length	wt%	wt%	wt%	Assays	ppm	ppm	ppm
From	To						Py	Cp	Sph	As	Ppb	Ag	Cu
197.0	201.5	<p><u>CHERTY TUFF WITH SULPHIDES</u></p> <ul style="list-style-type: none"> - blue-grey cherty beds to 3" massive to semi-massive - Po/Py as interbeds to 1/4" - more Po to middle of section - rare thin seams of fuchsite 	1586	197.0	201.5								
201.5	218.0	<p><u>INTERMEDIATE INTRUSIVE (DYKE?)</u></p> <ul style="list-style-type: none"> - pale grey felty texture. - numerous tiny feldspar/ferroxene phenos to 2mm - coarse grained in central position - nil to trace of sulphides. 	1587	201.5	206.0								
218.0		<p>END OF HOLE.</p> <p>John Goodwin. 17th October 1998</p>											

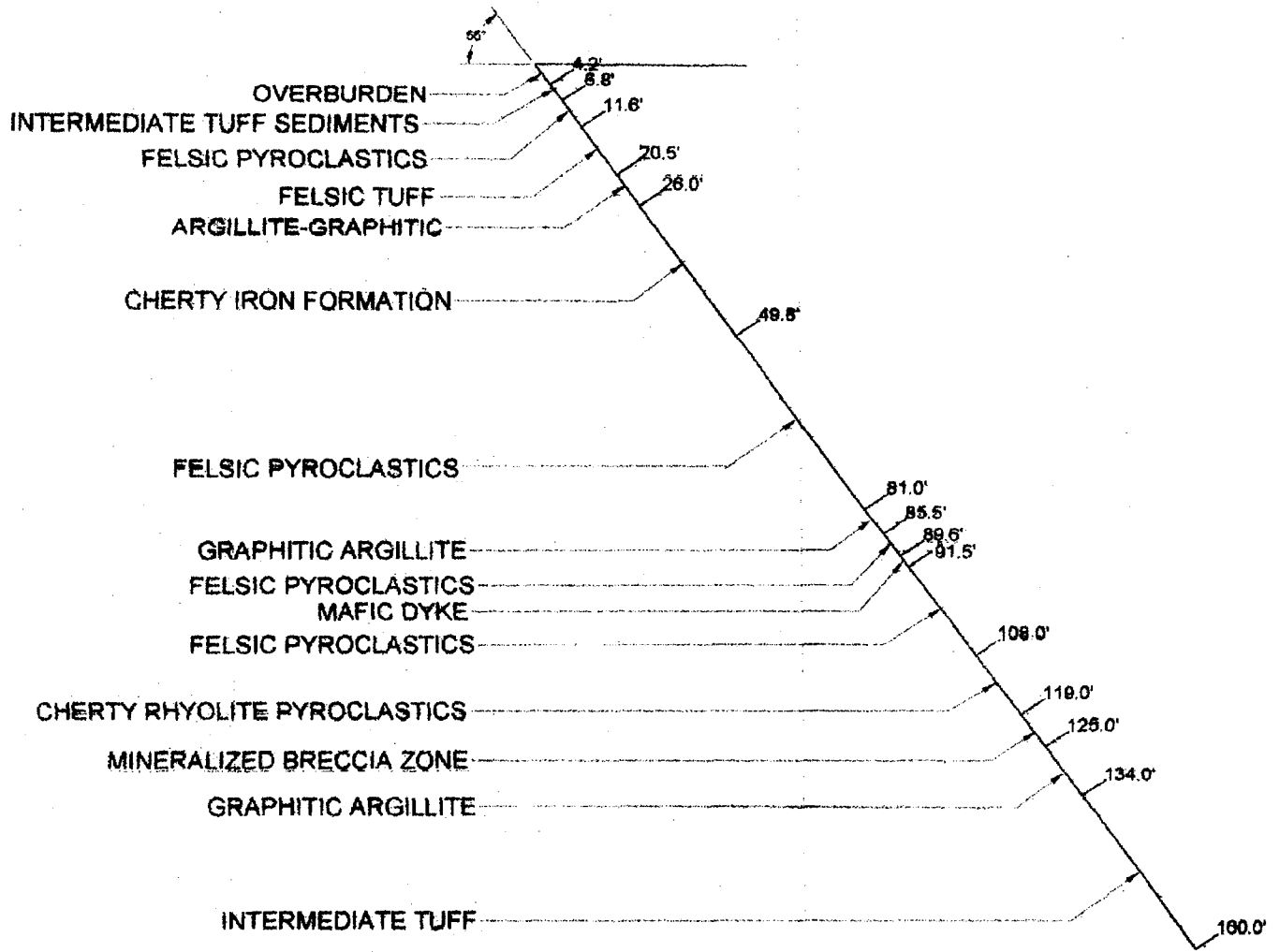
PLANETIA

D.F.G. / 04.08 /

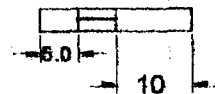
J.F.M. RRS1/61

CROSS SECTIONS

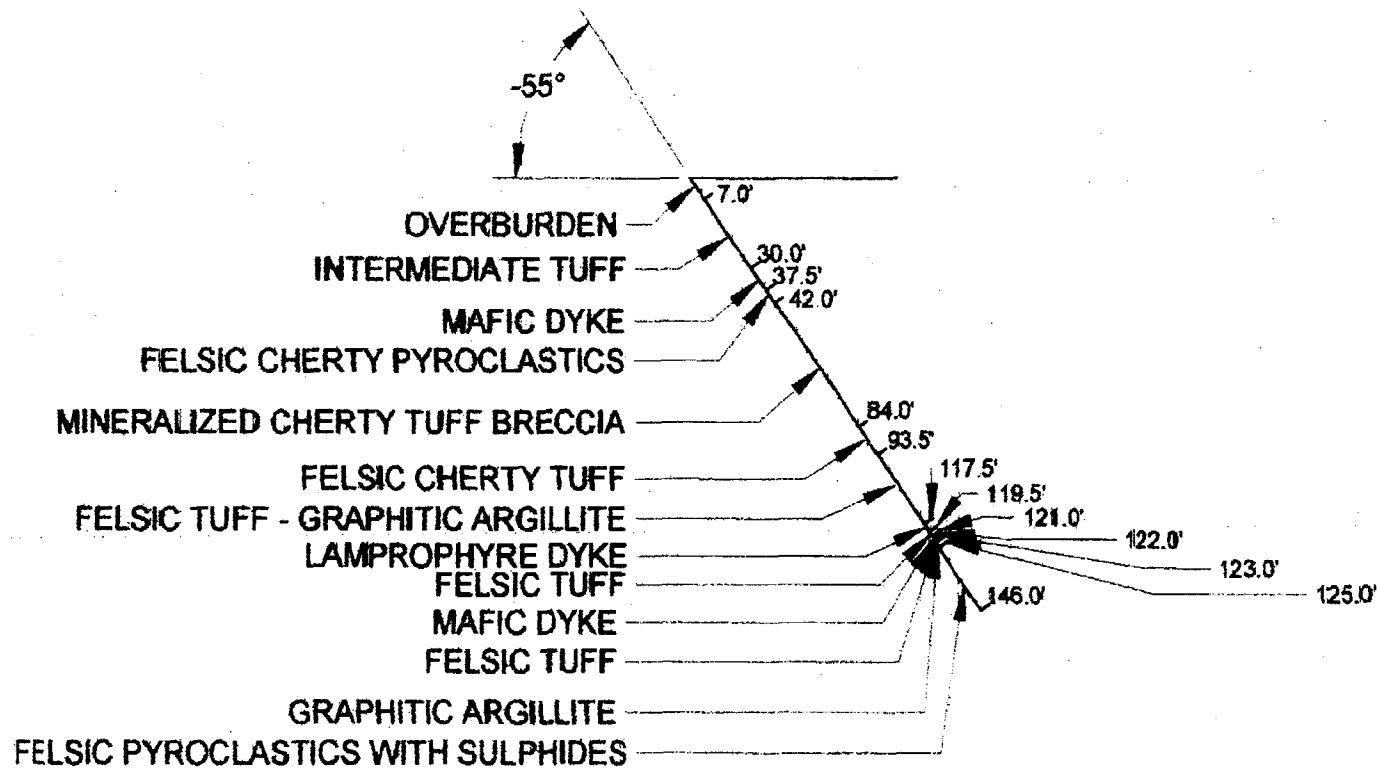
CROSS-SECTION DIAMOND DRILL HOLE 98-01 (G-1) LOOKING WEST



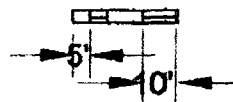
SCALE 50:1



CROSS SECTION
DIAMOND DRILL HOLE 98-02 (G-2)
LOOKING EAST
CLAIM #1217741



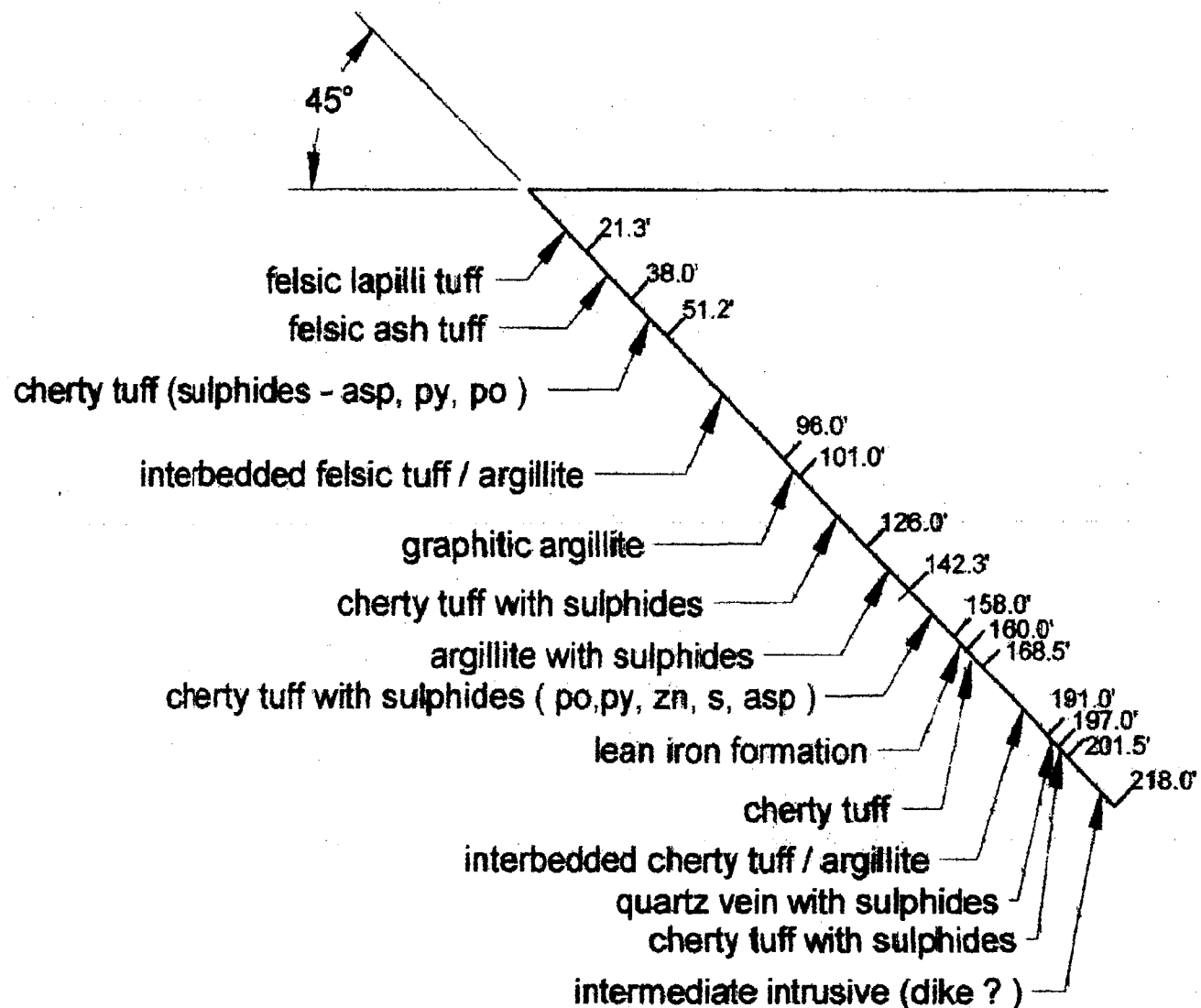
SCALE 50:1



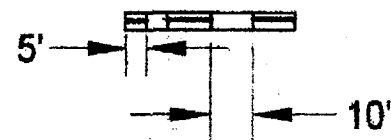
cross section

DIAMOND DRILL HOLE 98-03 (G-3)

LOOKING WEST



SCALE 50:1



FINAL REVISED



41009SE2002 2.19329 HUFFMAN

900

Priority of subsections 65(2) and 66(3) of the Mining Act. Under section 8 of the Act, the mining land holder is required to review the assessment work and correspond with the mining land holder's Mining Recorder, Ministry of Northern Development and Mines, 6th Floor.

Instructions: - For work performed on Crown Lands before recording a claim, use form 0240.
 - Please type or print in ink.

1. Recorded holder(s) (Attach a list if necessary)

Name MICHAEL GAGNE	Client Number 134260
Address P.O. BOX 807	Telephone Number (705) 235-5795
SOUTH PORCUPINE ON PON 140	Fax Number (705) 235-5795
Name YUON GAGNE	Client Number 134329
Address 31 BALSAM AVE.	Telephone Number (705) 567-5597
KIRKLAND LAKE ON P2N 1W7	Fax Number (705) 567-5597

2. Type of work performed: Check (✓) and report on only ONE of the following groups for this declaration.

Geotechnical: prospecting, surveys, assays and work under section 18 (regs) Physical: drilling, stripping, trenching and associated assays Rehabilitation

Work Type DRILLING, TRENCHING	Office Use
	Commodity
	Total \$ Value of Work Claimed \$ 49,376
Dates Work Performed From 30 09 97 To 21 09 98 <small>Day Month Year Day Month Year</small>	NTS Reference
Global Positioning System Data (if available)	Mining Division Porcupine
Township/Area HUFFMAN/ARBUTUS	Resident Geologist District Timmins
M or G-Plan Number G-3232 / G-2483	

Please remember to: - obtain a work permit from the Ministry of Natural Resources as required;
 - provide proper notice to surface rights holders before starting work;
 - complete and attach a Statement of Costs, form 0212;
 - provide a map showing contiguous mining lands that are linked for assigning work;
 - include two copies of your technical report.

3. Person or companies who prepared the technical report (Attach a list if necessary)

Name MICHAEL GAGNE	Telephone Number (705) 235-5795
Address P.O. BOX 807 SOUTH PORCUPINE ON	Fax Number (705) 235-5795
Name	Telephone Number
Address	Fax Number
Name	Telephone Number
Address	Fax Number

RECEIVED
 MAR 17 1999
 GEOSCIENCE ASSESSMENT OFFICE

RECEIVED
 MAR 16 1999
 PORCUPINE MINING DIVISION

4. Certification by Recorded Holder or Agent

I, **MICHAEL GAGNE**, do hereby certify that I have personal knowledge of the facts set forth in this Declaration of Assessment Work having caused the work to be performed or witnessed the same during or after its completion and, to the best of my knowledge, the annexed report is true.

Signature of Recorded Holder or Agent <i>Michael Gagne</i>	Date MAR 2/99
Agent's Address Deemed on June 15, 1990	Telephone Number 2.19329
	Fax Number

5. Work to be recorded and distributed. Work can only be assigned to claims that are contiguous (adjoining) to the mining land where work was performed, at the time work was performed. A map showing the contiguous link must accompany this form.

W9960. 00120

FINAL
REVISED
f

Mining Claim Number. Or if work was done on other eligible mining land, show in this column the location number indicated on the claim map.	Number of Claim Units. For other mining land, list hectares.	Value of work performed on this claim or other mining land.	Value of work applied to this claim.	Value of work assigned to other mining claims.	Bank Value of work to be distributed at a future date.
eg TB 7827	16 ha	\$26,825	N/A	\$24,000	\$2,825
eg 1234567	12	0	\$24,000	0	0
eg 1234568	2	\$8,892	\$4,000	0	\$4,892
1 1225053	15		12 000		
2 1225201	2		1600		
3 1227741	4	21728		21552	176
4 1225052	12		4800		
5 1225051	12		9600		
6 1225202	6		4800		
7 1222299	6	2330	4800		
8 1222300	8	3823	6400		
9 1207428	6		4800		
10 1207050	15	21495		21095	400
11					
12					
13					
14					
15					
Column Totals		49376	49200	42647	576

I, MICHAEL GAGNE do hereby certify that the above work credits are eligible under subsection 7 (1) of the Assessment Work Regulation 6/96 for assignment to contiguous claims or for application to the claim where the work was done.

Signature of Record Holder or Agent Authorized in Writing: [Signature] Date: MAR 18/99

5. Instructions for cutting back credits that are not approved.

Some of the credits claimed in this declaration may be cut back. Please check (✓) in the boxes below to show how you wish to prioritize the deletion of credits:

- 1. Credits are to be cut back from the Bank first, followed by option 2 or 3 or 4 as indicated.
- 2. Credits are to be cut back starting with the claims listed last, working backwards; or
- 3. Credits are to be cut back equally over all claims listed in this declaration; or
- 4. Credits are to be cut back as prioritized on the attached appendix or as follows (describe):

2.19329

Note: If you have not indicated how your credits are to be deleted, credits will be cut back from the Bank first, followed by option number 2 if necessary.

For Office Use Only

Received Stamp	Deemed Approved Date	Date Notification Sent
	Date Approved	Total Value of Credit Approved
	Approved for Recording by Mining Recorder (Signature)	

0841 (03/96)

MAR 18 '99 10:12

2355795

PAGE 02

Received Stamp

RECEIVED
MAR 17 1999
GEOSCIENCE ASSESSMENT
OFFICE

Deemed Approved Date	Date Notification Sent
Date Approved	Total Value of Credit Approved
Approved for Recording by Mining Recorder (Signature)	

0841 (03/96)

Information collected on this form is obtained under the authority of subsection 6 (1) of the Assessment Work Regulation 6/96. Under section 8 of the Mining Act, this information is a public record. This information will be used to review the assessment work and correspond with the mining land holder. Questions about this information should be directed to a Provincial Mining Recorder, Ministry of Northern Development and Mines, 3rd Floor, 933 Ramsey Lake Road, Sudbury, Ontario, P1S 5S5.

Work Type	Units of work Depending on the type of work, list the number of hours/days worked, metres of drilling, kilometres of grid line, number of samples, etc.	Cost Per Unit of work	Total Cost
LABOUR	894 Hrs.	20.00	17,880.
DRILLING 98-01	160'	21.00/ft	3,360
98-02	146'	21.00/ft	3,066
98-03	218'	21.00/ft	4,578
REPORT		150.00/day	1,050
Associated Costs (e.g. supplies, mobilization and demobilization).			
MOBILIZATION			4,596
DEMobilIZATION			1,768
RENTAL (PLUGGER)		\$ 100.00/day	1,400
FUEL			698
SUPPLIES			2,677
Transportation Costs			
TRUCKS			5,558
ATV			1,295
Food and Lodging Costs			
FOOD			1,450
Total Value of Assessment Work			49,376

Calculations of Filing Discounts:

1. Work filed within two years of performance is claimed at 100% of the above Total Value of Assessment Work.
2. If work is filed after two years and up to five years after performance, it can only be claimed at 50% of the Total Value of Assessment Work. If this situation applies to your claims, use the calculation below:

TOTAL VALUE OF ASSESSMENT WORK x 0.50 = Total \$ value of worked claimed.

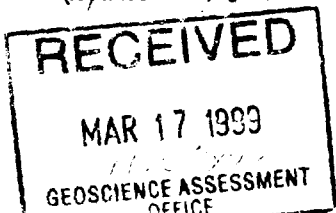
Note:

- Work older than 5 years is not eligible for credit.
- A recorded holder may be required to verify expenditures claimed in this statement of costs within 45 days of a request for verification and/or correction/clarification. If verification and/or correction/clarification is not made, the Minister may reject all or part of the assessment work submitted.

Certification verifying costs:

I, MICHAEL GAGNE, do hereby certify, that the amounts shown are as accurate as may reasonably be determined and the costs were incurred while conducting assessment work on the lands indicated on the accompanying

Declaration of Work form as Michael Gagne I am authorized to make this certification.
(recorded holder, agent, or state/company position with signing authority)



Signature: Michael Gagne Date: MARCH 2/99

Geoscience Assessment Office
933 Ramsey Lake Road
6th Floor
Sudbury, Ontario
P3E 6B5

Telephone: (888) 415-9846
Fax: (877) 670-1555

September 1, 1999

MICHAEL YVON GAGNE
P.O. BOX 807
SOUTH PORCUPINE, ONTARIO
P0N-1H0

Visit our website at:
www.gov.on.ca/MNDM/MINES/LANDS/mlsmnpge.htm

Dear Sir or Madam:

Submission Number: 2.19329

Status

Subject: Transaction Number(s): W9960.00120 Approval After Notice

We have reviewed your Assessment Work submission with the above noted Transaction Number(s). The attached summary page(s) indicate the results of the review. **WE RECOMMEND YOU READ THIS SUMMARY FOR THE DETAILS PERTAINING TO YOUR ASSESSMENT WORK.**

If the status for a transaction is a 45 Day Notice, the summary will outline the reasons for the notice, and any steps you can take to remedy deficiencies. The 90-day deemed approval provision, subsection 6(7) of the Assessment Work Regulation, will no longer be in effect for assessment work which has received a 45 Day Notice. Allowable changes to your credit distribution can be made by contacting the Geoscience Assessment Office within this 45 Day period, otherwise assessment credit will be cut back and distributed as outlined in Section #6 of the Declaration of Assessment work form.

Please note any revisions must be submitted in DUPLICATE to the Geoscience Assessment Office, by the response date on the summary.

If you have any questions regarding this correspondence, please contact Bruce Gates by e-mail at bruce.gates@ndm.gov.on.ca or by telephone at (705) 670-5856.

Yours sincerely,



ORIGINAL SIGNED BY
Blair Kite
Supervisor, Geoscience Assessment Office
Mining Lands Section

Work Report Assessment Results

Submission Number: 2.19329

Date Correspondence Sent: September 01, 1999

Assessor: Bruce Gates

Transaction Number	First Claim Number	Township(s) / Area(s)	Status	Approval Date
W9960.00120	1225053	HUFFMAN, ARBUTUS	Approval After Notice	August 26, 1999

Section:

10 Physical PTRNCH

16 Drilling PDRILL

The 45 days outlined in the Notice dated July 12, 1999 have passed.

Assessment work credit has been approved as outlined on the attached Distribution of Assessment Work Credit sheet.

Correspondence to:

Resident Geologist
South Porcupine, ON

Recorded Holder(s) and/or Agent(s):

MICHAEL YVON GAGNE
SOUTH PORCUPINE, ONTARIO

Assessment Files Library
Sudbury, ON

Distribution of Assessment Work Credit

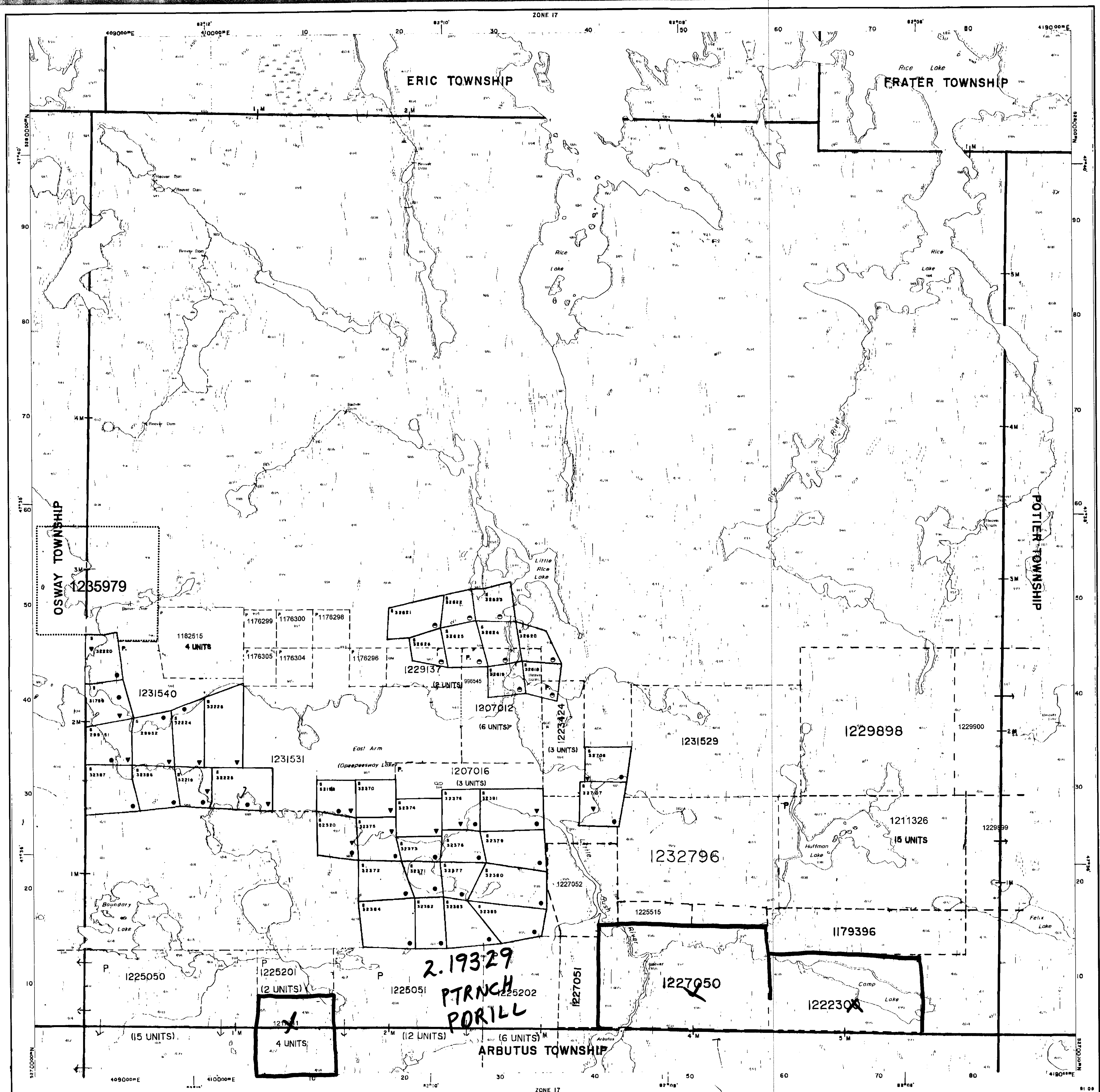
The following credit distribution reflects the value of assessment work performed on the mining land(s).

Date: September 01, 1999

Submission Number: 2.19329

Transaction Number: W9960.00120

<u>Claim Number</u>	<u>Value Of Work Performed</u>
1217741	14,500.00
1222299	1,555.00
1222300	2,550.00
1207050	14,342.00
Total: \$	32,947.00

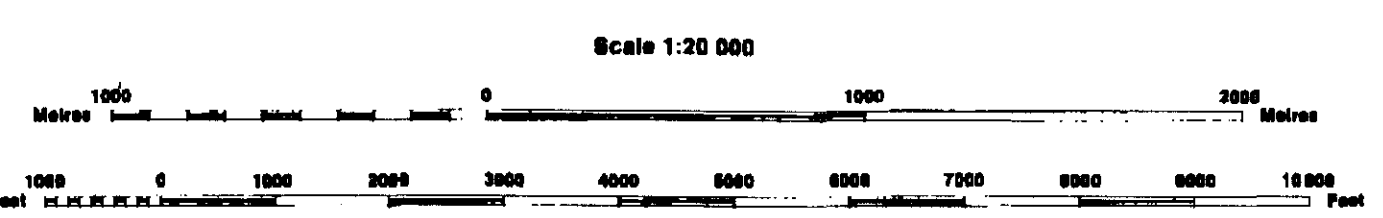


INDEX TO LAND DISPOSITION

PLAN
G-3232
 TOWNSHIP

M.N.R. ADMINISTRATIVE DISTRICT
CHAPLEAU
 MINING DIVISION
PORCUPINE
 LAND TITLES/REGISTRY DIVISION
SUDBURY

HUFFMAN



THE INFORMATION THAT APPEARS ON THIS MAP HAS BEEN COMPILED FROM VARIOUS SOURCES, AND ACCURACY IS NOT GUARANTEED. Contour interval 10 Metres

OCT 06 1989

THOSE WISHING TO STAKE MINING CLAIMS SHOULD CONSULT WITH THE MINING RECORDER, MINISTRY OF NORTHERN DEVELOPMENT AND MINES, FOR ADDITIONAL INFORMATION ON THE STATUS OF THE LANDS SHOWN HEREON.

AREAS WITHDRAWN FROM DISPOSITION

- MRO - Mining Rights Only
- SRO - Surface Rights Only
- M + S - Mining and Surface Rights

SYMBOLS

Description	Order No.	Date	Disposition	File
Boundary				
Administrative District				
Township, Meridian, Baseline				
Road allowance:				
surveyed				
shoreline				
Lot/Concession:				
surveyed				
unsurveyed				
Parcel:				
surveyed				
unsurveyed				
Right-of-way:				
road				
railway				
utility				
Reservation				
Cliff, Pit, Pile				
Contour				
Interpolated				
Approximate				
Depression				
Control point (horizontal)				
Flooded land				
Mine shaft				
Pipeline (above ground)				
Railway:				
single track				
double track				
abandoned				
River/Stream/Creek				
Intermittent				
Road:				
highway, county, township				
access				
trail, bush				
Shoreline (original)				
Transmission line				
Wooded area				

DISPOSITION OF CROWN LANDS

Patent	●
Surface & Mining Rights	●
Surface Rights Only	○
Mining Rights Only	○
Lease	■
Surface & Mining Rights	■
Surface Rights Only	■
Mining Rights Only	■
Licence of Occupation	▼
Order-in-Council	OC
Cancelled	○
Reservation	○
Sand & Gravel	○

THE INFORMATION THAT APPEARS ON THIS MAP HAS BEEN COMPILED FROM VARIOUS SOURCES, AND ACCURACY IS NOT GUARANTEED. THOSE WISHING TO STAKE MINING CLAIMS SHOULD CONSULT WITH THE MINING RECORDER, MINISTRY OF NORTHERN DEVELOPMENT AND MINES, FOR ADDITIONAL INFORMATION ON THE STATUS OF THE LANDS SHOWN HEREON.

NOTES

AREAS WITHDRAWN FROM DISPOSITION

- M.R.O. - MINING RIGHTS ONLY
- S.R.O. - SURFACE RIGHTS ONLY
- M.+S. - MINING AND SURFACE RIGHTS

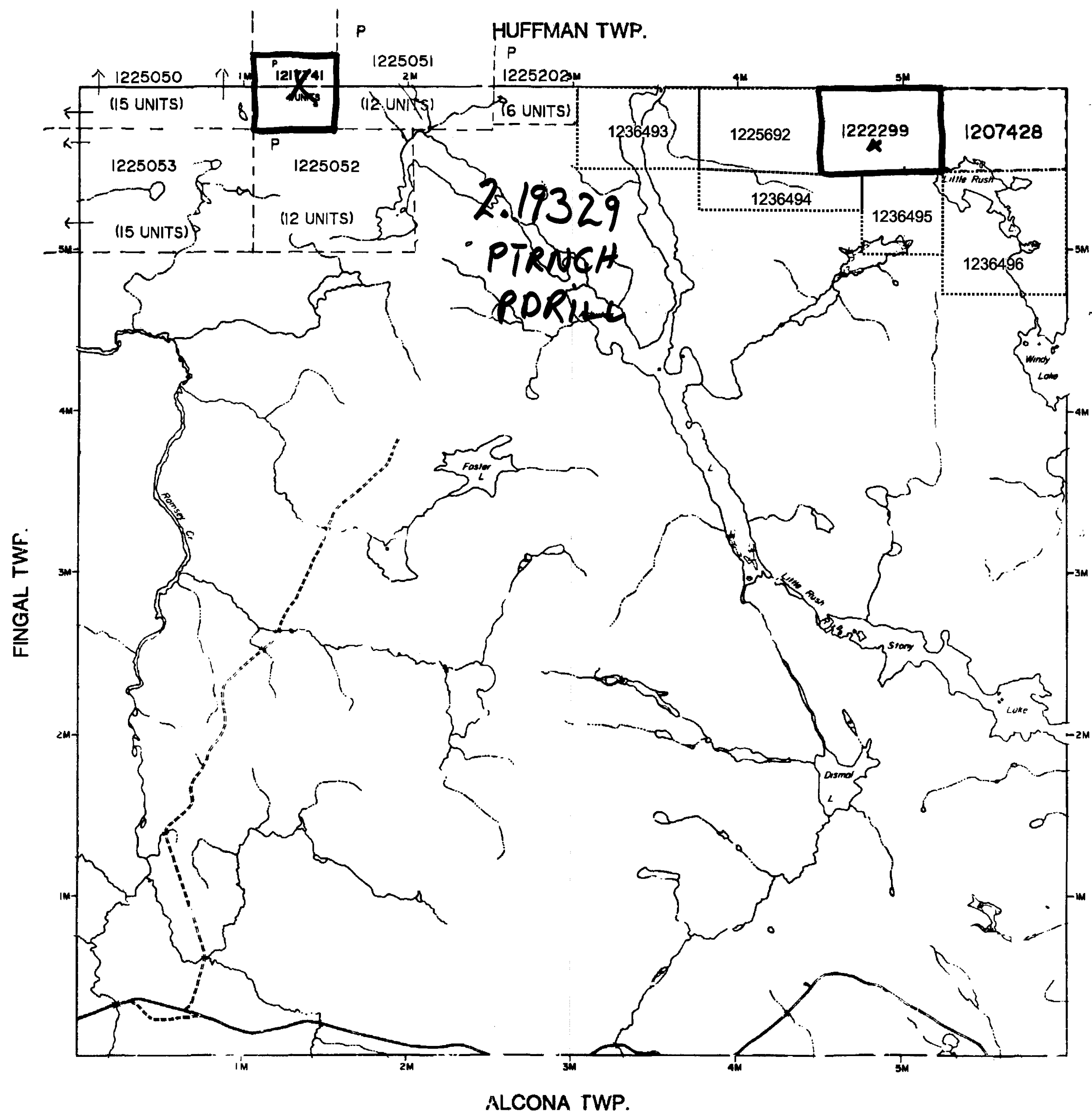
Description Order No. Date Disposition File

THOSE WISHING TO STAKE MINING CLAIMS SHOULD CONSULT WITH THE MINING RECORDER, MINISTRY OF NORTHERN DEVELOPMENT AND MINES, FOR ADDITIONAL INFORMATION ON THE STATUS OF THE LANDS SHOWN HEREON.

OCT 9 0 1999

THE INFORMATION THAT APPEARS ON THIS MAP HAS BEEN COMPILED FROM VARIOUS SOURCES AND ACCURACY IS NOT GUARANTEED.

THE INFORMATION THAT APPEARS ON THIS MAP HAS BEEN COMPILED FROM VARIOUS SOURCES AND ACCURACY IS NOT GUARANTEED. THOSE WISHING TO STAKE MINING CLAIMS SHOULD CONSULT WITH THE MINING RECORDER, MINISTRY OF NORTHERN DEVELOPMENT AND MINES, FOR ADDITIONAL INFORMATION ON THE STATUS OF THE LANDS SHOWN HEREON.



LEGEND

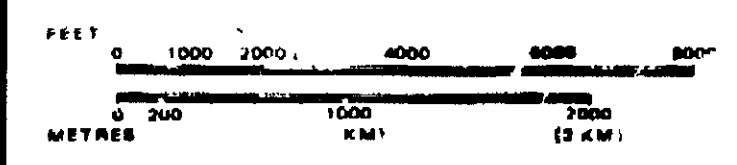
- HIGHWAY AND ROUTE No.
- OTHER ROADS
- TRAILS
- SURVEYED LINES
- TOWNSHIPS, BASE LINES, ETC.
- LOTS, MINING CLAIMS, PARCELS, ETC.
- UNSURVEYED LINES
- LOT LINES
- PARCEL BOUNDARY
- MINING CLAIMS ETC.
- RAILWAY AND RIGHT OF WAY
- UTILITY LINES
- NON-PERENNIAL STREAM
- FLOODING OR FLOODING RIGHTS
- SUBDIVISION OR COMPOSITE PLAN
- RESERVATIONS
- ORIGINAL SHORELINE
- MARSH OR MUSKEG
- MINES
- TRAVERSE MONUMENT

DISPOSITION OF CROWN LANDS

TYPE OF DOCUMENT	SYMBOL
PATENT, SURFACE & MINING RIGHTS	
" SURFACE RIGHTS ONLY	
" MINING RIGHTS ONLY	
LEASE, SURFACE & MINING RIGHTS	
" SURFACE RIGHTS ONLY	
" MINING RIGHTS ONLY	
LICENCE OF OCCUPATION	
ORDER-IN-COUNCIL	
RESERVATION	
CANCELLED	
SAND & GRAVEL	

NOTE: MINING RIGHTS IN PARCELS PATENTED PRIOR TO 1876 & 1878, VESTED IN ORIGINAL PATENTEE BY THE PUBLIC LANDS ACT R.S.O. 1979, CHAP. 300, SEC. 67, SUBSEC. 1

SCALE: 1 INCH = 40 CHAINS

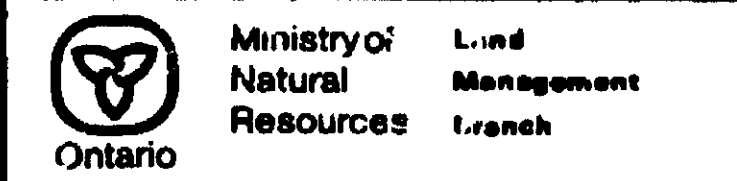


TOWNSHIP
ARBUTUS

M.N.R. ADMINISTRATIVE DISTRICT
CHAPLEAU

MINING DIVISION
PORCUPINE

LAND TITLES / REGISTRY DIVISION
SUDBURY



Date: OCTOBER 1993
Number: **G-2483**

Created July 31/96 by H.S.
Received July 31/96



DATE OF ISSUE

MAR 17 1989

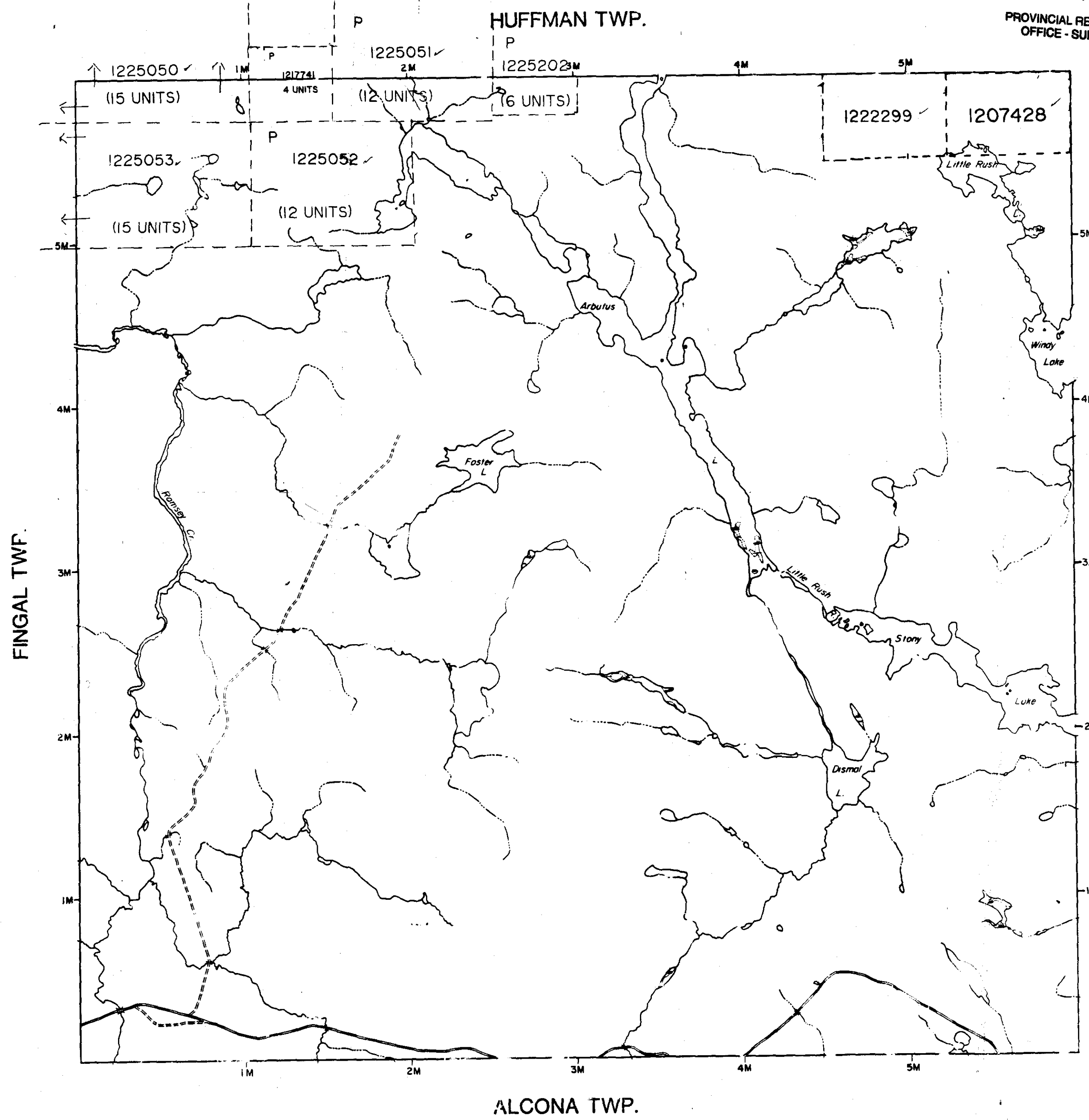
PROVINCIAL RECORDING
OFFICE - SUDBURY

NOTES

LANDS WITHDRAWN FROM DISPOSITION

I.R.O. - MINING RIGHTS ONLY
S.R.O. - SURFACE RIGHTS ONLY
L+S. - MINING AND SURFACE RIGHTS

Item Order No. Date Disposition File



LEGEND

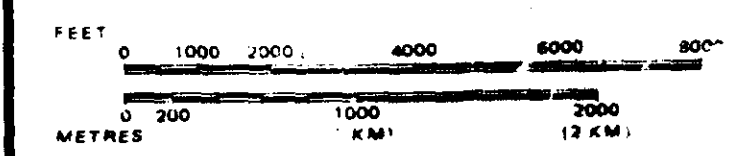
- HIGHWAY AND ROUTE No.
- OTHER ROADS
- TRAILS
- SURVEYED LINES:
 - TOWNSHIPS, BASE LINES, ETC.
 - LOTS, MINING CLAIMS, PARCELS, ETC.
- UNSURVEYED LINES:
 - LOT LINES
 - PARCEL BOUNDARY
 - MINING CLAIMS ETC.
- RAILWAY AND RIGHT OF WAY
- UTILITY LINES
- NON-PERENNIAL STREAM
- FLOODING OR FLOODING RIGHTS
- SUBDIVISION OR COMPOSITE PLAN
- RESERVATIONS
- ORIGINAL SHORELINE
- MARSH OR MUSKEG
- MINES
- TRAVERSE MONUMENT

DISPOSITION OF CROWN LANDS

TYPE OF DOCUMENT	SYMBOL
PATENT, SURFACE & MINING RIGHTS	
" SURFACE RIGHTS ONLY	
" MINING RIGHTS ONLY	
LEASE, SURFACE & MINING RIGHTS	
" SURFACE RIGHTS ONLY	
" MINING RIGHTS ONLY	
LICENCE OF OCCUPATION	
ORDER-IN-COUNCIL	
RESERVATION	
CANCELLED	
SAND & GRAVEL	

NOTE: MINING RIGHTS IN PARCELS PATENTED PRIOR TO MAY 6 1913, VESTED IN ORIGINAL PATENTEE BY THE PUBLIC LANDS ACT R.S.O. 1970, CHAP. 380, SEC. 63, SUBSEC. 1

SCALE: 1 INCH = 40 CHAINS



TOWNSHIP

ARBUTUS

M.N.R. ADMINISTRATIVE DISTRICT

CHAPLEAU

MINING DIVISION

PORCUPINE

LAND TITLES / REGISTRY DIVISION

SUDBURY



Ministry of Land
Natural Management
Resources Branch

Date OCTOBER 1983

Checked July 21/86 EP HS
Received July 21/86

Number
G-2483

THE INFORMATION THAT APPEARS ON THIS MAP HAS BEEN COMPILED FROM VARIOUS SOURCES, AND ACCURACY IS NOT GUARANTEED. THOSE WISHING TO STAKE MINING CLAIMS SHOULD CONSULT WITH THE MINING RECORDER, MINISTRY OF NORTHERN DEVELOPMENT AND MINES, FOR ADDITIONAL INFORMATION ON THE STATUS OF THE LANDS SHOWN HEREON.



G-5483

ARBUTUS TWP.

G-5483

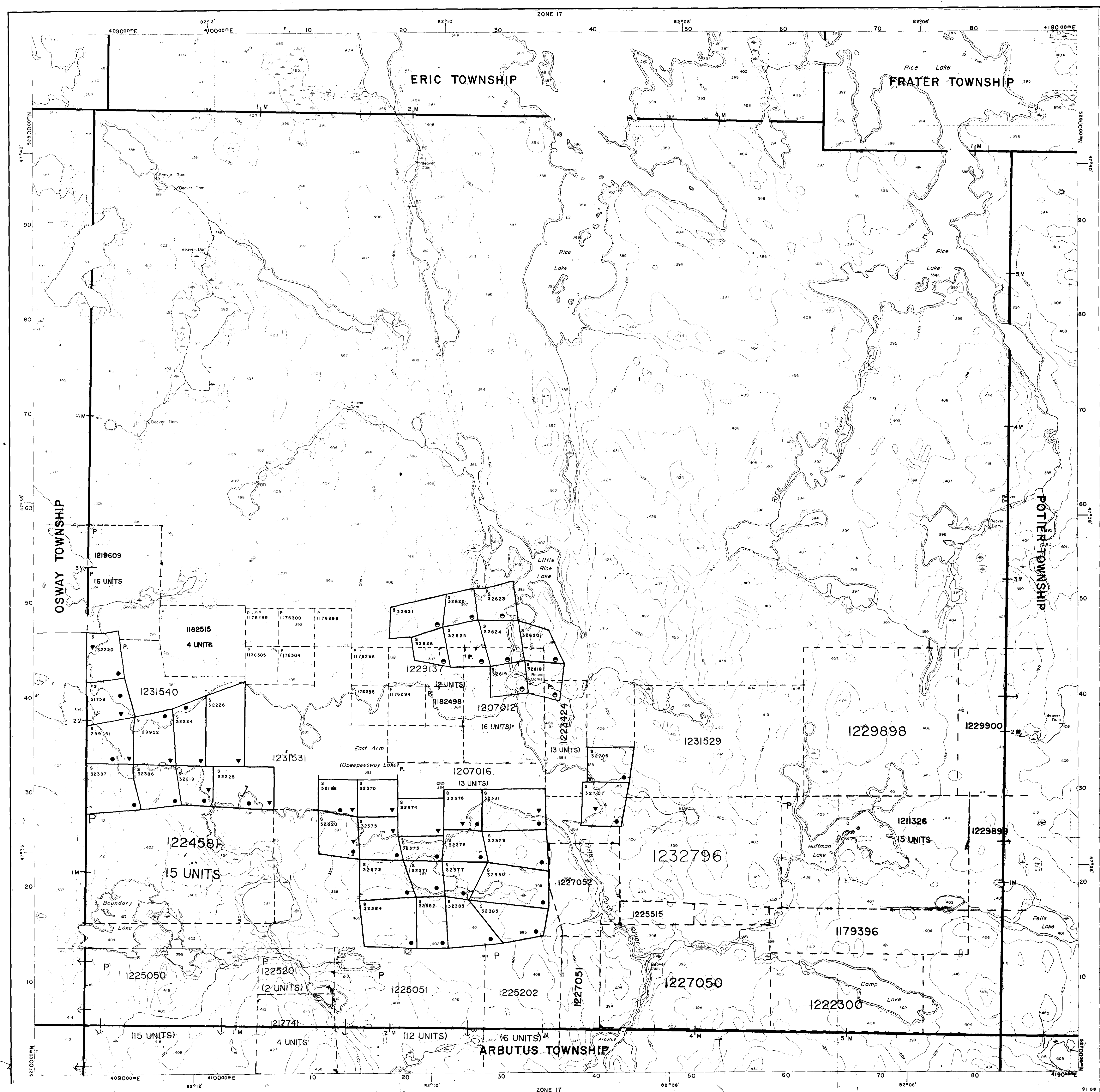
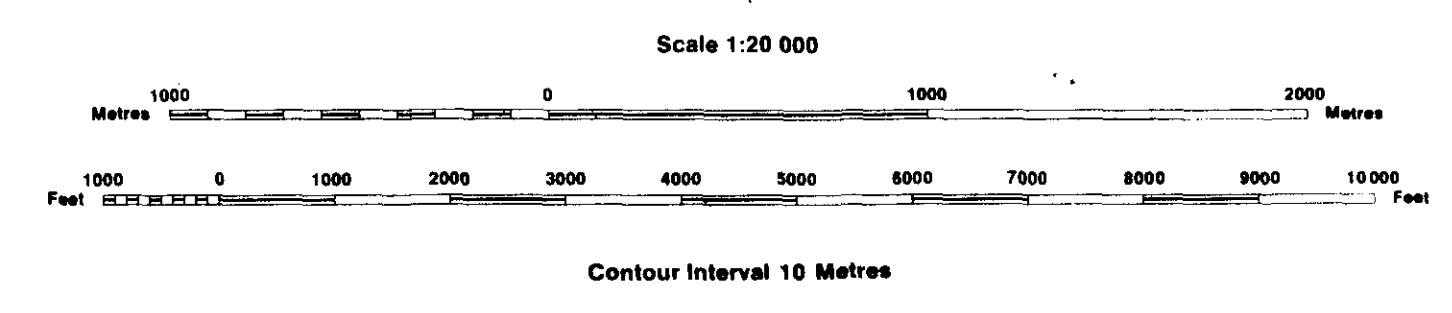
G-3232 HUFFMAN TWP G-3232

INDEX TO LAND DISPOSITION

PLAN
G-3232
 TOWNSHIP

M.N.R. ADMINISTRATIVE DISTRICT
CHAPLEAU
 MINING DIVISION
PORCUPINE
 LAND TITLES/REGISTRY DIVISION
SUDBURY

HUFFMAN



AREAS WITHDRAWN FROM DISPOSITION

MRO - Mining Rights Only
 SRO - Surface Rights Only
 M + S - Mining and Surface Rights

SYMBOLS

- | | |
|------------------------------------|-------|
| Boundary | |
| Township, Meridian, Baseline | |
| Road allowance; surveyed shoreline | |
| Lot/Concession; surveyed | |
| unsurveyed | |
| Parcel; surveyed | |
| unsurveyed | |
| Right-of-way; road | |
| railway | |
| utility | |
| Reservation | |
| Cliff, Pit, Pile | |
| Contour | |
| Interpolated | |
| Approximate | |
| Depression | |
| Control point (horizontal) | |
| Flooded land | |
| Mine head frame | |
| Pipeline (above ground) | |
| Railway; single track | |
| double track | |
| abandoned | |
| Road; highway, county, township | |
| access | |
| trail, bush | |
| Shoreline (original) | |
| Transmission line | |
| Wooded area | |

DATE OF ISSUE
 MAR 17 1989
 PROVINCIAL RECORDING
 OFFICE - SUDBURY

DISPOSITION OF CROWN LANDS

- | | |
|-------------------------|-------|
| Patent | |
| Surface & Mining Rights | |
| Surface Rights Only | |
| Mining Rights Only | |
| Lease | |
| Surface & Mining Rights | |
| Surface Rights Only | |
| Mining Rights Only | |
| Licence of Occupation | |
| Order-in-Council | |
| Cancelled | |
| Reservation | |
| Sand & Gravel | |

THE INFORMATION THAT
 APPEARS ON THIS MAP
 HAS BEEN COMPILED
 FROM VARIOUS SOURCES.
 AND ACCURACY IS NOT
 GUARANTEED. THOSE
 WISHING TO STAKE MIN-
 ING CLAIMS SHOULD CON-
 SULT WITH THE MINING
 RECORDER, MINISTRY OF
 NORTHERN DEVELOP-
 MENT AND MINES, FOR AD-
 DITIONAL INFORMATION
 ON THE STATUS OF THE
 LANDS SHOWN HEREON.