



41014SE0012 15 LACKNER

010

Diamond Drilling

Township of LACKNER

Report NO: 15

Work performed by: CLAYMAC MINES LTD.

Claim NO	Hole NO	Footage	Date	Note
S 73599	# 1	398'	Oct/54	
S 73593	# 2	403'	Nov/54	

250H 801'

Notes:

DIAMOND DRILL RECORD

PROPERTY CLAYMAC MINES LTD.

HOLE NO. 1

SHEET NUMBER 1

SECTION FROM 0.0 TO 250.0

STARTED Oct. 27/54

LATITUDE 12+30 N No. 2 B.L.

DATUM _____

COMPLETED Oct. 29/54

DEPARTURE 20+40 E.

BEARING West (ast)

ULTIMATE DEPTH 398.0

ELEVATION _____

DIP 40°

PROPOSED DEPTH -

DEPTH FEET	FORMATION	SAMPLE NO.	WIDTH OF SAMPLE	GOLD \$	SLUDGE GOLD \$
0.0 - 28.0	Casing				
28.0 - 36.0	Nepheline Syenite (2) lower contact @ 35.0'				
36.0 - 59.8	Hornblende Feldspar Gneiss (7) sections up to 1' grading to Biotite Schist Gneissosity at 60 to core. 47.0' - 48.5' lost core.				
59.8 - 67.2	Basic Dike - cut by 1/2" vein of Magnetite				
67.2 - 68.7	Hornblende Feldspar Gneiss (7)				
68.7 - 74.7	Nepheline Syenite (7) lower contact at 50 to core.				
74.7 - 250.0	Hornblende Feldspar Gneiss (7) 80.0' - 81.6 Basic Dike (1A) 82.4' - 83.3' Basic Dike (1A) 105.6' - 106.4' Biotite rich rock 111.2' - 112.5' Basic Dike (1A) cross cutting gneissosity. Very fine grained. 127.9' - 129.4' Amphiphyre Dike (1B) 144.1' - 145.2' Nepheline Syenite (2) 175.0' - 200.0' Gneissosity at 50 to core.				

DIAMOND DRILL RECORD

PROPERTY CLAYMAC MINES LTD.

HOLE NO. 1

SHEET NUMBER

2

SECTION FROM 250.0' TO 398.0'

STARTED Oct. 27/54

LATITUDE 12+30 No. 2. B.L.

DATUM

COMPLETED Oct. 29/54

DEPARTURE 20+40 E.

BEARING West (abt)

ULTIMATE DEPTH 398.

ELEVATION

DIP 40°

PROPOSED DEPTH

DEPTH FEET	FORMATION	SAMPLE No.	WIDTH OF SAMPLE	GOLD \$	SLUDGE GOLD \$
	214.4' - 218.8' Basic Dike (1A)				
	226.2' - 227.0' Biotite Hornblende rich.				
	242.4' - 244.7' Nepheline Syenite (2)				
250.0 - 262.6	Hornblende Feldspar Gneiss (7)				
262.6 - 275.0	Nepheline Syenite (2) clots of hornblende feldspar gneiss within syenite.				
275.0 - 382.2	Hornblende Feldspar Gneiss (7)				
	275.0' - 276.0' syenitic				
	304.7' - 306.5' nepheline syenite				
	306.5' - 309.0' Amphibolite				
	353.0' - 355.0' garnetiferous				
	367.0' - 373.2' lamprophyre dike (1B)				
	374.3' - 376.0' lamprophyre dike (1B)				
382.2 - 398.0	Nepheline Syenite (2)				
	End of Hole				

DIAMOND DRILL RECORD

 PROPERTY CLAYMAC MINES LTD.

 HOLE NO. 2

 SHEET NUMBER 1

 SECTION FROM 0' TO 403.0'

 STARTED Nov. 2/54

 LATITUDE 0450 G. No. 2 P.L.

DATUM _____

 COMPLETED Nov 4/54

 DEPARTURE 13400 S

 BEARING S85W (ast.)

 ULTIMATE DEPTH 403.0

ELEVATION _____

 DIP 40°

 PROPOSED DEPTH -

DEPTH FEET	FORMATION	SAMPLE NO.	WIDTH OF SAMPLE	GOLD \$	SLUDGE GOLD \$
0.0 - 7.0	Casing				
7.0 - 403.0	Nepheline Syenite (2)				
	58.4' - 60.0' lost core				
	87.0' - 88.0' lost core				
	End of Hole				

 DRILLED BY Canadian Longyear Ltd.

 SIGNED Michael J. Jurek

Nemegosendo R.
V2 Ground

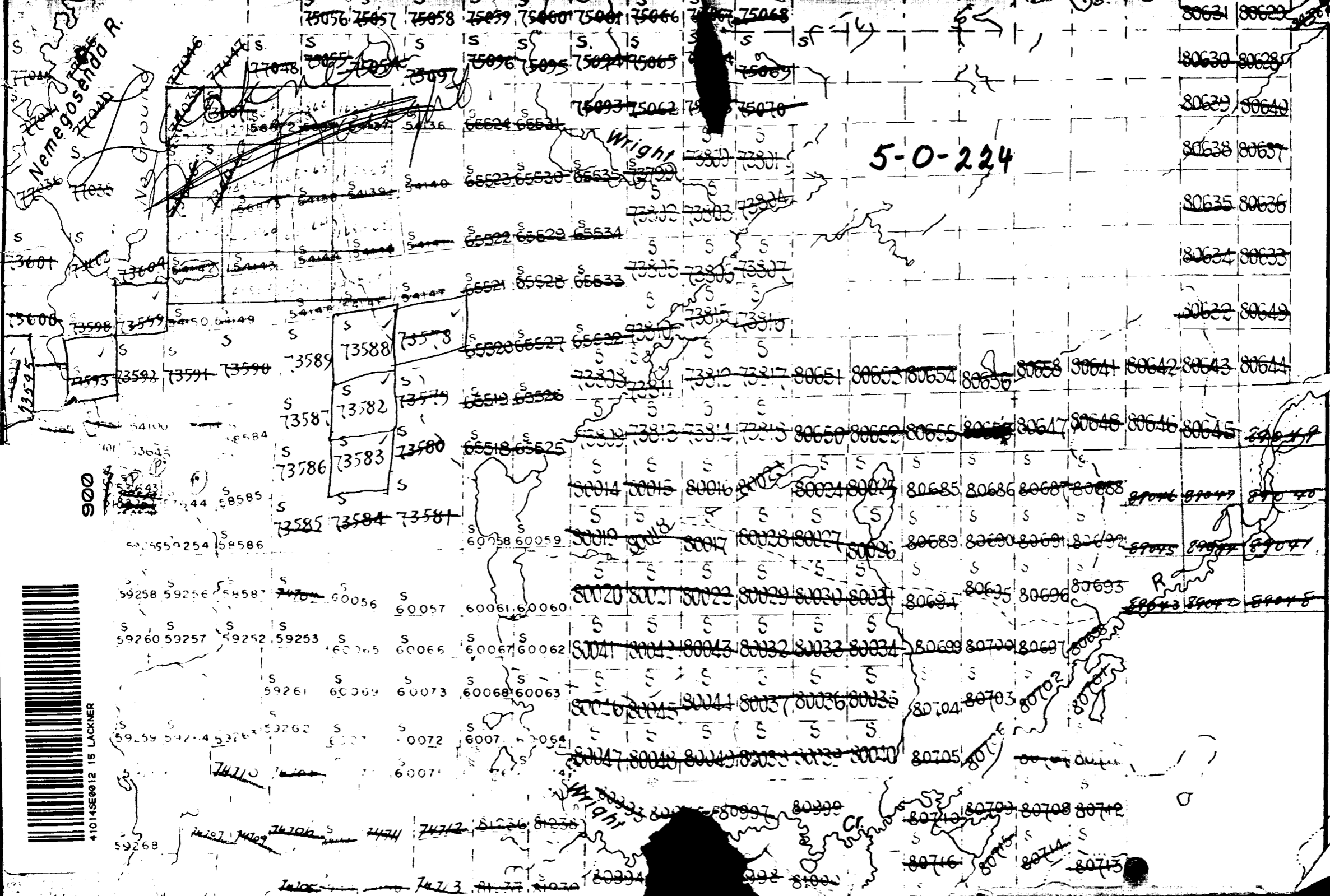
5-0-224

Wright

Halcrow



41014SE0012 15 LACKNER



SCALE

- PATENT
- CROWN
- LEASES
- LOCATE
- LICENS
- MINING
- SURFAC
- ROADS
- IMPROV
- KING'S
- RAILWA
- POWER
- MARSH
- MINES

900

5559254 58586

59258 59256 54587

59260 59257 59252 59253

59261 60069 60073 60068 60063

59262 60072 6007 6054

59268

73588 7358

73587 73582

73586 73583 73580

73585 73584 73581

60056 60057 60061 60060

60065 60066 60067 60062

60069 60073 60068 60063

60072 6007 6054

60071

80020 80021 80022 80029 80030 80031

80041 80042 80043 80032 80033 80034

80044 80045 80037 80036 80035

80047 80048 80049 80039 80038 80037

80034 80033 80032 80031 80030

80694 80695 80696 80693

80699 80700 80697

80704 80703 80702 80701

80705 80706 80707 80708 80709

80710 80711 80712

80713 80714 80715 80716

80631 80629

80630 80628

80629 80640

80638 80637

80635 80636

80634 80633

80632 80649

80658 80641 80642 80643 80644

80650 80652 80655 80656 80647 80648 80646 80645

80685 80686 80687 80688

80689 80690 80689 80689

80694 80695 80696 80693

80699 80700 80697

80704 80703 80702 80701

80705 80706 80707 80708 80709

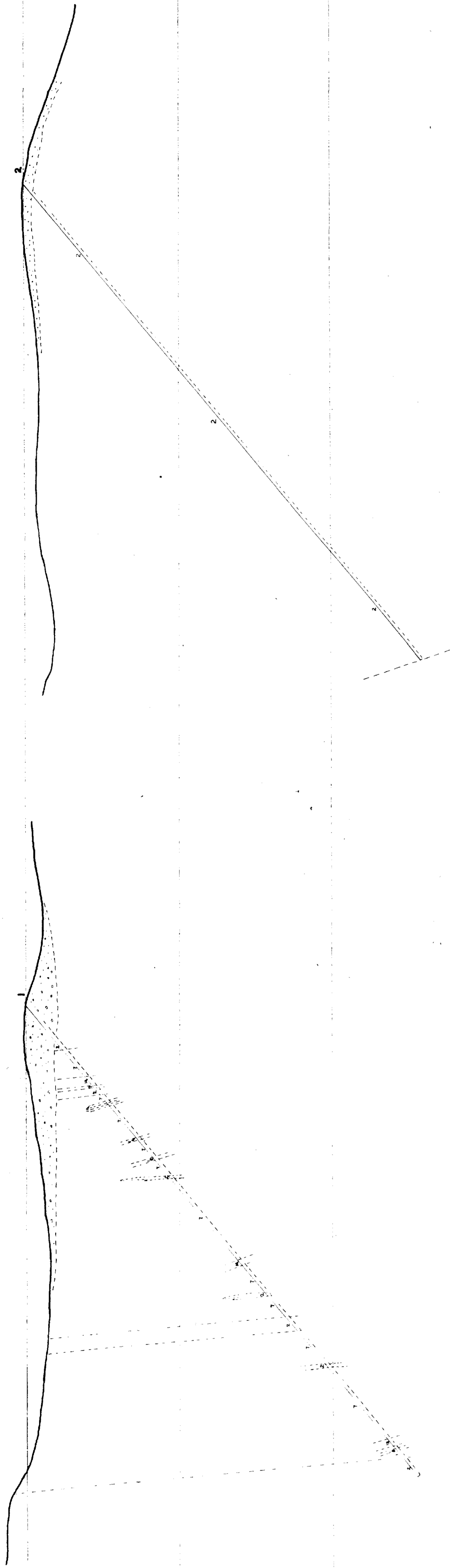
80710 80711 80712

80713 80714 80715 80716

80717 80718 80719 80720

385' W (AST.)

WEST (AST.)



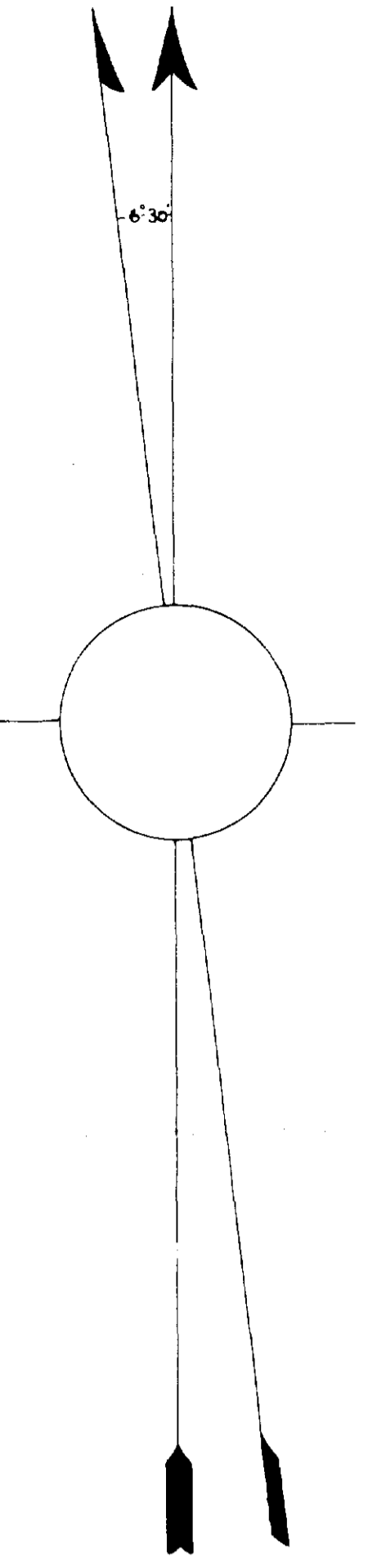
LEGEND

- 1 Basic Dike (a) Lamprophyre Dike (b)
- 2 Nepheline Syenite
- 3 Nepheline Syenite (a) Nepheline Syenite (b) Nepheline Syenite (c) Nepheline Syenite (d)
- 4 Biotite Carbonate Gneiss
- 5 Biotite Pyroxene Gneiss
- 6 Greenstone
- 7 Hornblende Feldspar Gneiss
- ++++ Crystalline Magnetite

CLAYMAC MINES LIMITED
 McNAUGHT AND LACKNER TOWNSHIPS - ONTARIO
 VERTICAL SECTION DIAMOND DRILL HOLES J.2.

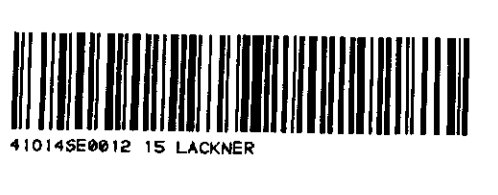
Scale 1" = 40'





DETAIL "B"
SCALE = 1:100

DETAIL "A"
SCALE = 1:200



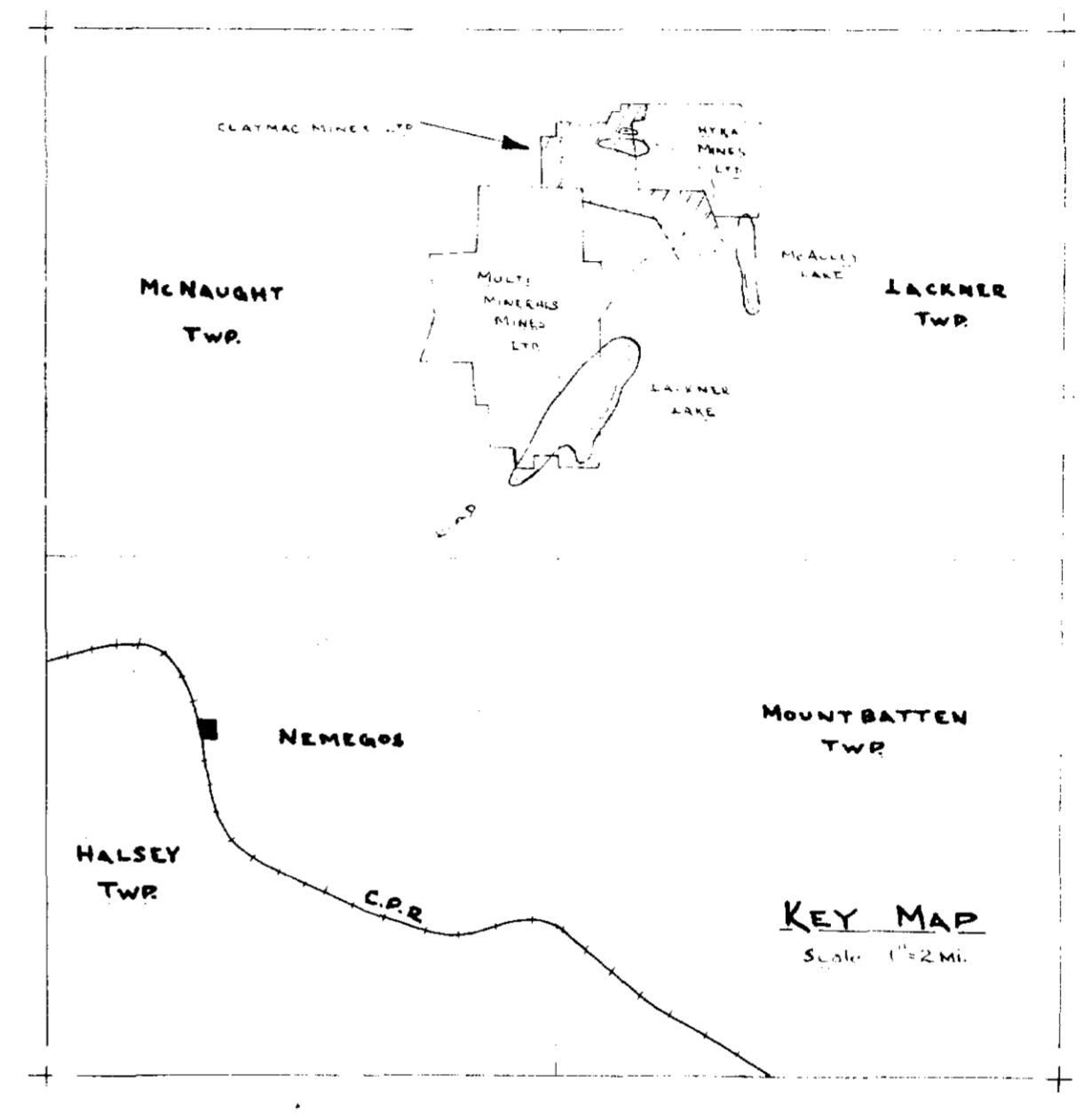
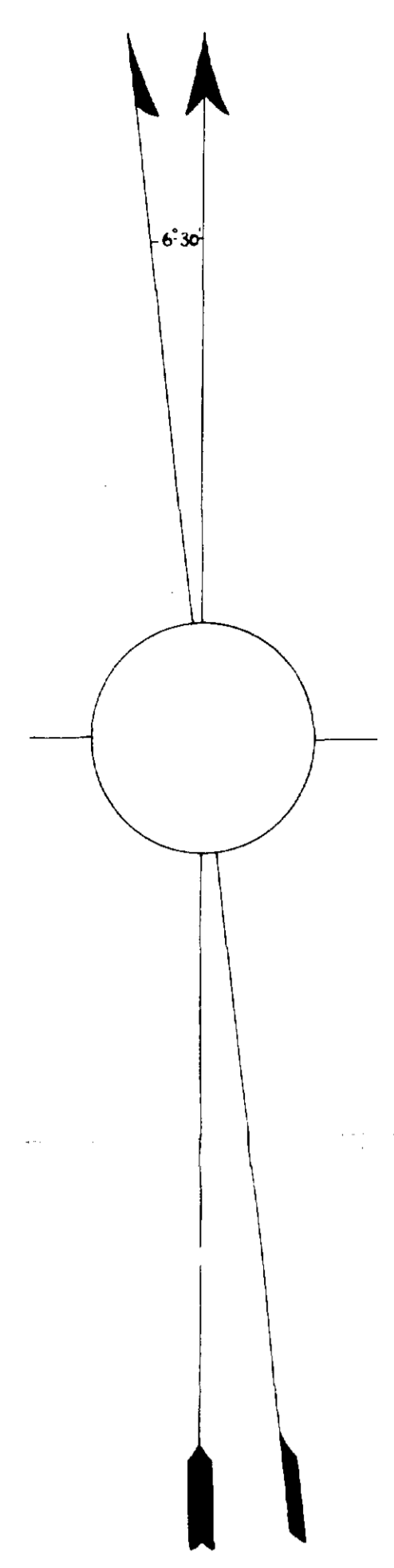
File 5-0-224
Lackner Map

CLAYMAC MINES LIMITED

McNAUGHT & LACKNER TOWNSHIPS, ONTARIO
SUDBURY MINING DIVISION

MAGNETOMETER SURVEY PLAN

SCALE — 1 IN. = 300 FT.



LEGEND

- PLUS 9000 GAMMAS
- 8000 - 9000 "
- 7000 - 8000 "
- 6000 - 7000 "
- 5000 - 6000 "
- LESS THAN 5000 "

SYMBOLS

- DIAMOND BELL HALL
- CLAIM LINE
- CLAIM POTS
- SURVEYED LINE
- TOWNSHIP LINE
- PICKET LINE
- ROAD
- CREEK
- LOT POST