



41014SE9154 63.553 LACKNER

010

Claymac Mines Limited  
Assessment Work Done  
Diamond Drilling and Geophysical Survey

Claims - S-73578 to S-73607 inclusive

## Technical Details of Geophysical Survey

The mileage cut and chained for the survey is as follows:

Base Line	1.6 miles
Picket Line	19.7 miles
Detail Picket Line	<u>3.1 miles</u>
Total	24.4 miles

Two base lines were cut in a north-south direction on the property. Base line No. 1 was cut in the eastern section and base line No. 2 was cut in the western section of the property. Picket lines were turned off at right angles to the base lines at 400 foot intervals. Stations at 100 feet were established along the picket lines.

The detail picket lines were cut at 100 foot intervals. These detail lines were cut in anomalous area, warranting further geophysical data. Stations at 25 and 50 foot intervals were established along these detail picket lines.

### Magnetometer Survey

The magnetometer survey field work was carried out between November 1 to December 1, 1954. A total of 1749 survey stations were read on the established picket lines. The survey was conducted using a Sharpe (DM-I) Type magnetometer, whose scale constant was 26.1 gammas. Readings were taken on swing. Daily diurnal corrections were applied throughout the survey.

Interpretation of the magnetic results were done by use of magnetic contours plotted at 1000 gammas interval on a plan of one inch equals 300 feet. The detail work was plotted on a more appropriate scale.

### Work Done By

#### Linecutting

Mr. W. C. Spry - Kaladar, Ontario  
Party consisting of 6 men  
Period October 19 - November 20, 1954 inclusive

#### Chaining

A. McAuley - Chapleau, Ontario  
G. McAuley - Chapleau, Ontario  
Period October 27 - November 28, 1954 inclusive, exclusive of November 9, 8, 14, 15, 1954.

### Geophysical (Magnetometer) Survey - Field Work

Clayton Jessop - Operator - Prospect Hotel, Sudbury, Ontario  
Period October 27-31/54 inclusive; November 1-22/54 inclusive, exclusive November 9, 1954.

Frank Hodgkinson - Operator - 127 Bingham Ave., Toronto, Ontario  
Period November 3, 8, 23 and 24/54.

Jack Jessop - Assistant - Prospect Hotel, Sudbury, Ontario  
Period October 20-22/54 inclusive; November 24-30/54 inclusive

### Geophysical (Magnetometer) Survey Calculations, etc.

F. Hodgkinson - 127 Bingham Ave. Toronto, Ontario  
M. Zurowski - 403 - 25 Adelaide St. W., Toronto, Ontario.

### Supervision

M. Zurowski - 403 - 25 Adelaide St. W., Toronto, Ontario.

### Consultants

Simard and Knight - 403 - 25 Adelaide St. W., Toronto, Ontario.

### Draughting and Report

M. Zurowski )  
Simard and Knight ) 403 - 25 Adelaide St. W., Toronto, Ontario.

S 73604 - most water - no treasure.

73602 -  $\frac{1}{3}$  water

Note: several claims covered by previous  
survey;

Mrs. Bennett, Newburgh,

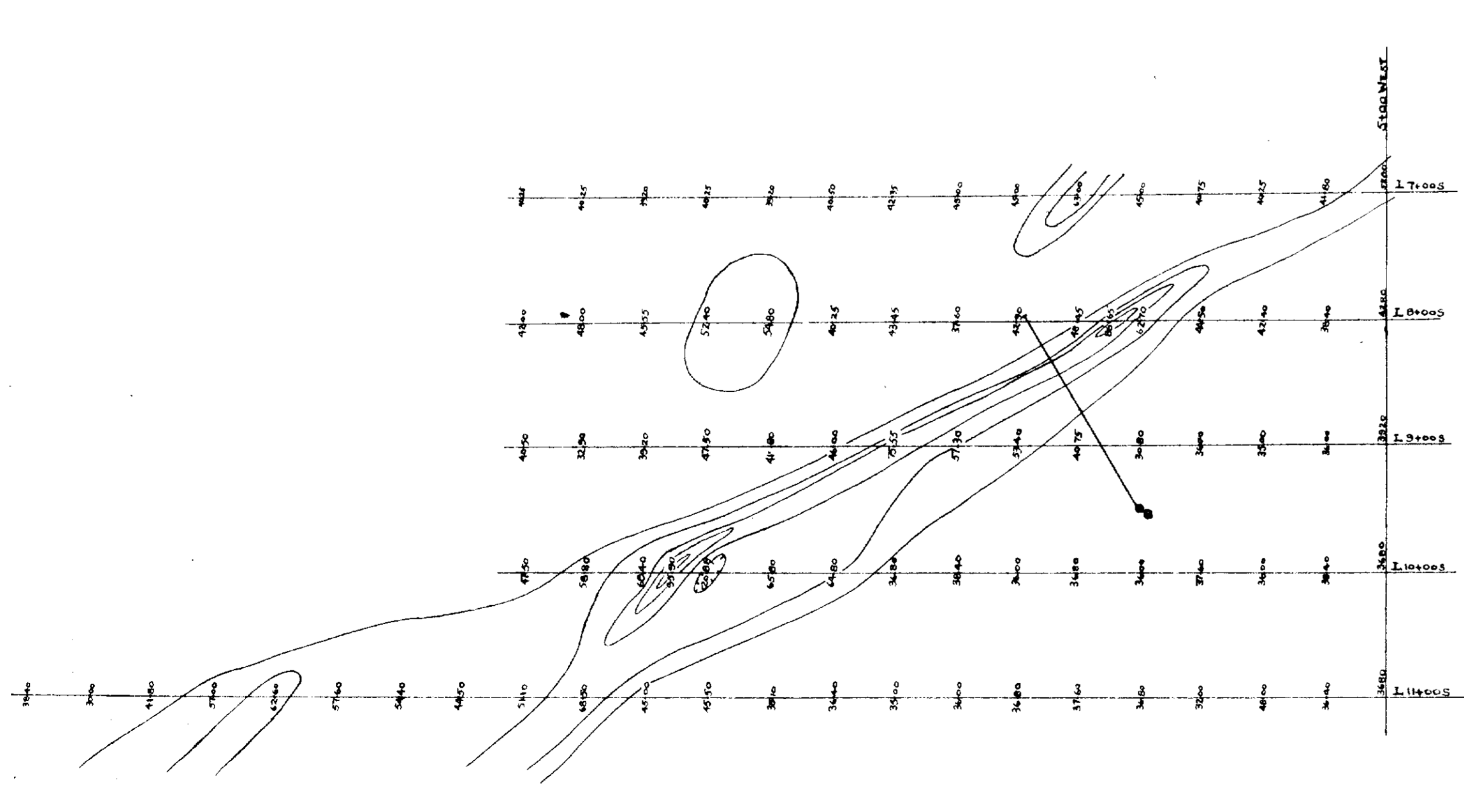
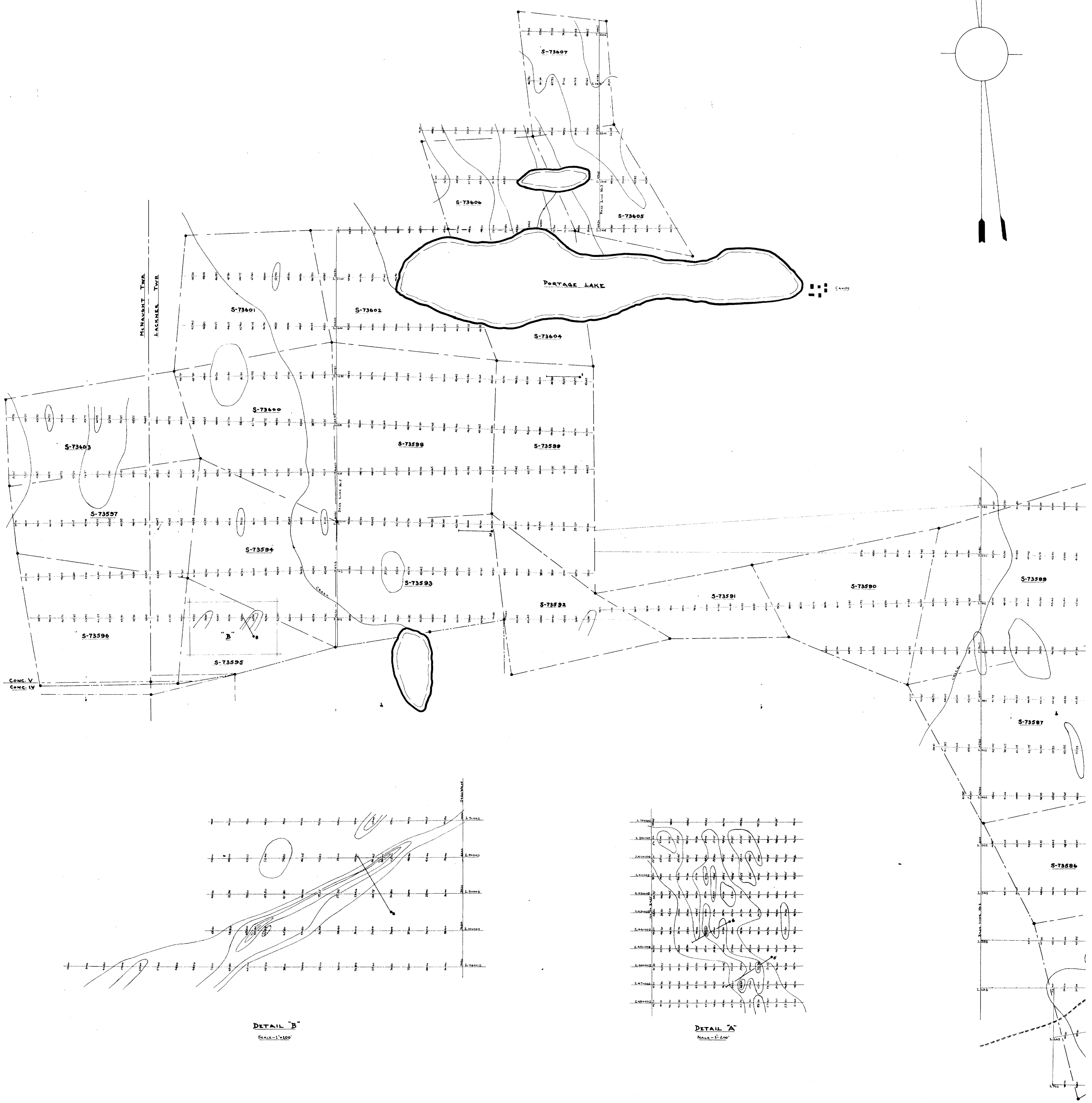
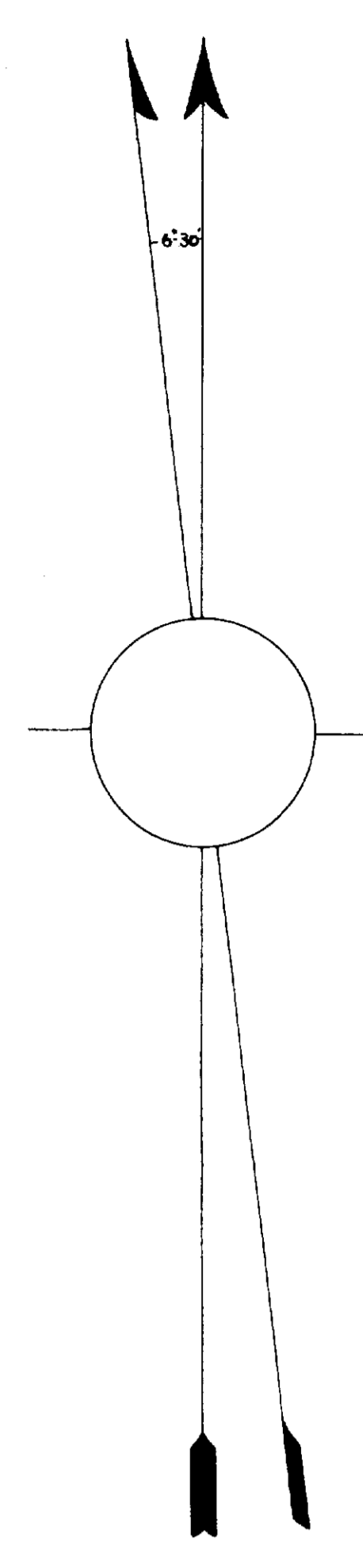
Labrador Group - 63.515

- under older claim numbers

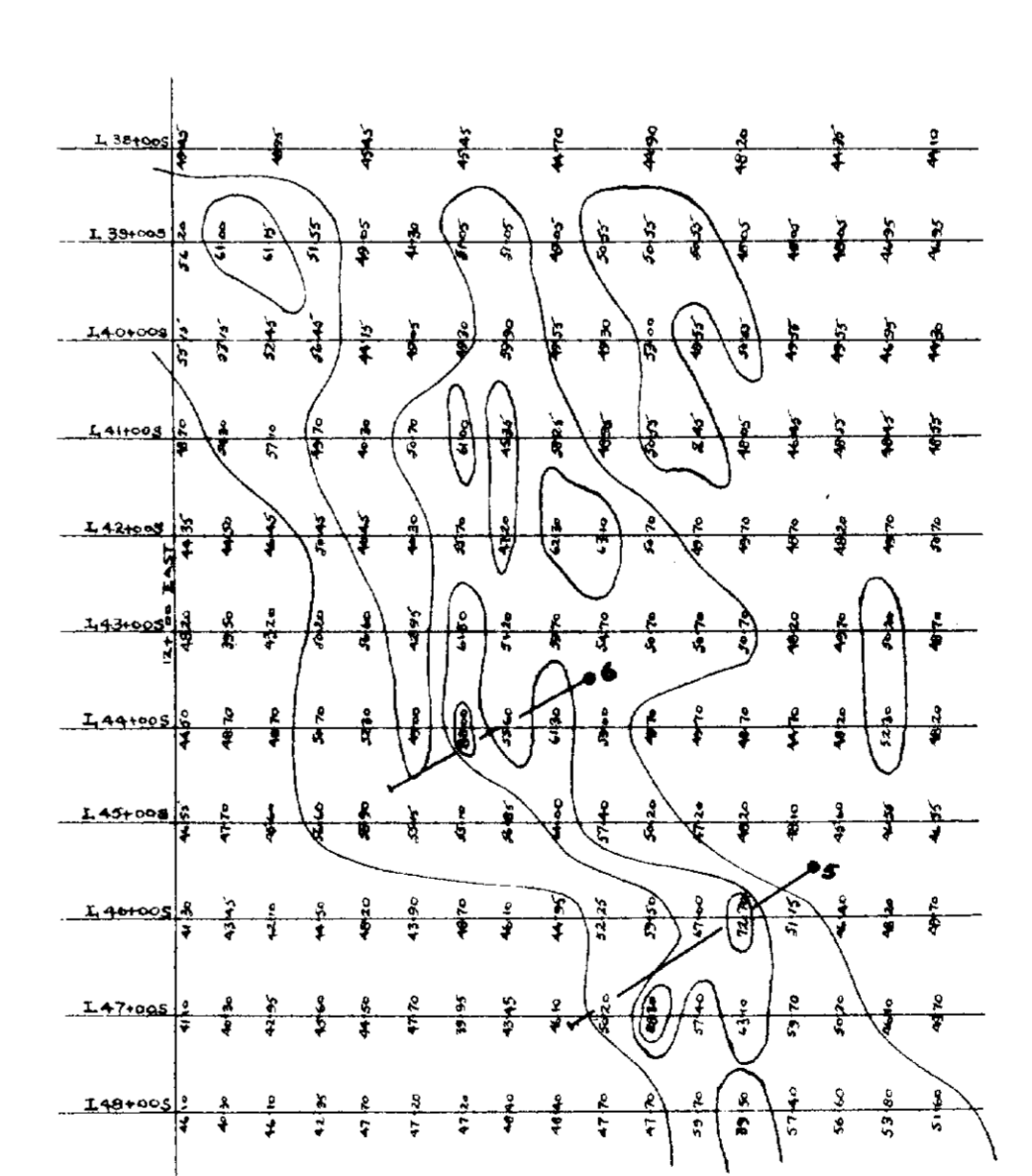
See office print in drawer.

GEOLOGICAL LEGEND

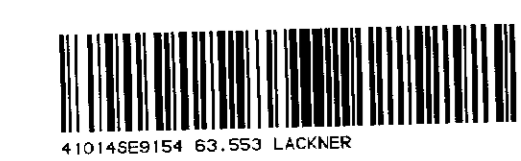
- 1 (A) Basic Dikes
  - 1 (B) Lamprophyre Dikes
  - 2 Nepheline Syenite
  - 2 (B) Feldspathoidal Syenite
  - 3 (A) Nepheline Diabite
  - 3 (B) Nepheline Gabbro
  - 3 (C) Nepheline Diorite Gneiss
  - 4 Biotite Carbonate Gneiss
  - 5 Biotite Pyroxene Gneiss
  - 6 Greenstone
  - 7 Hornblende Feldspar Gneiss
- Alteration Rocks



DETAIL "B"  
SCALE - 1"=100'



DETAIL "A"  
SCALE - 1"=200'



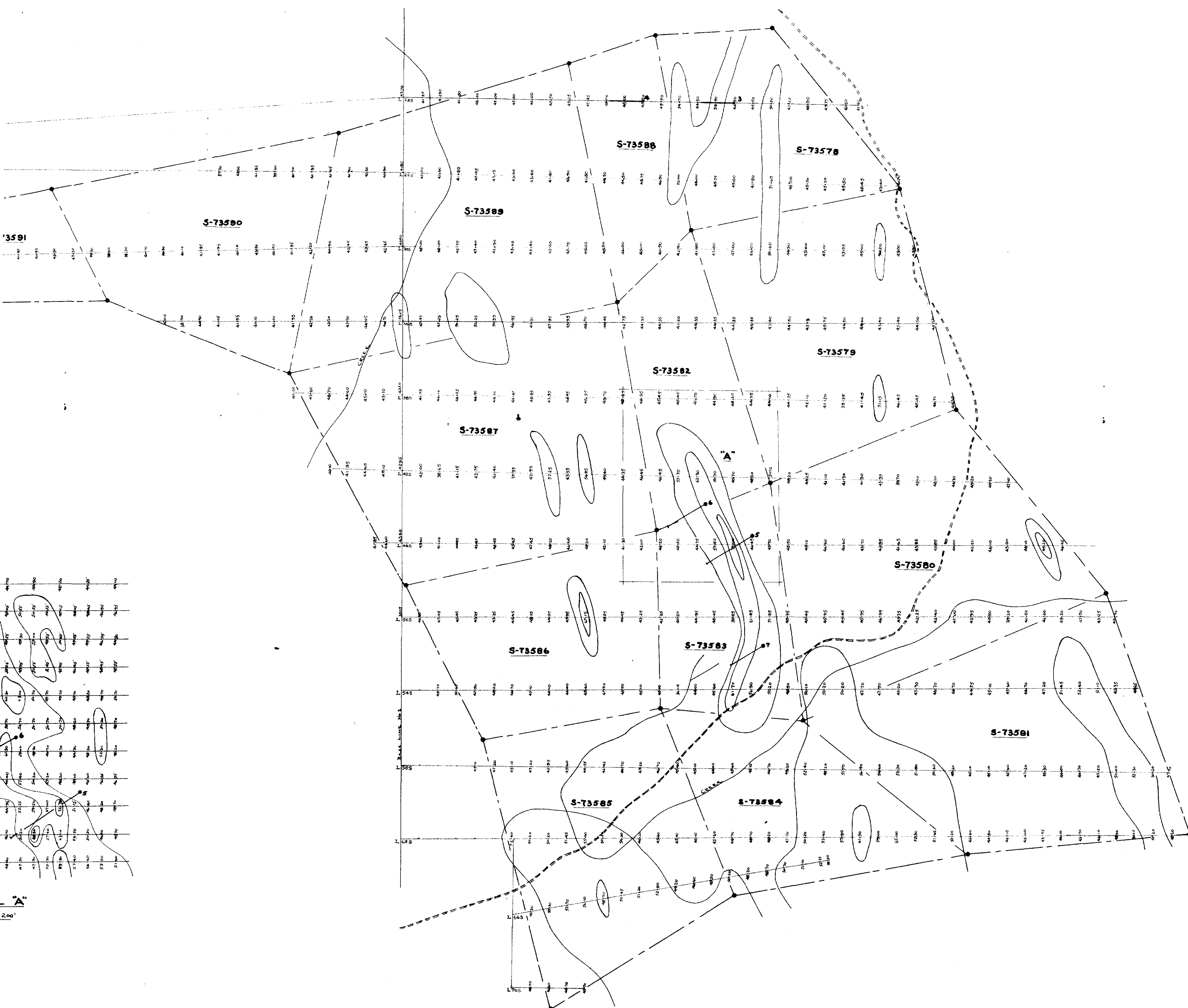
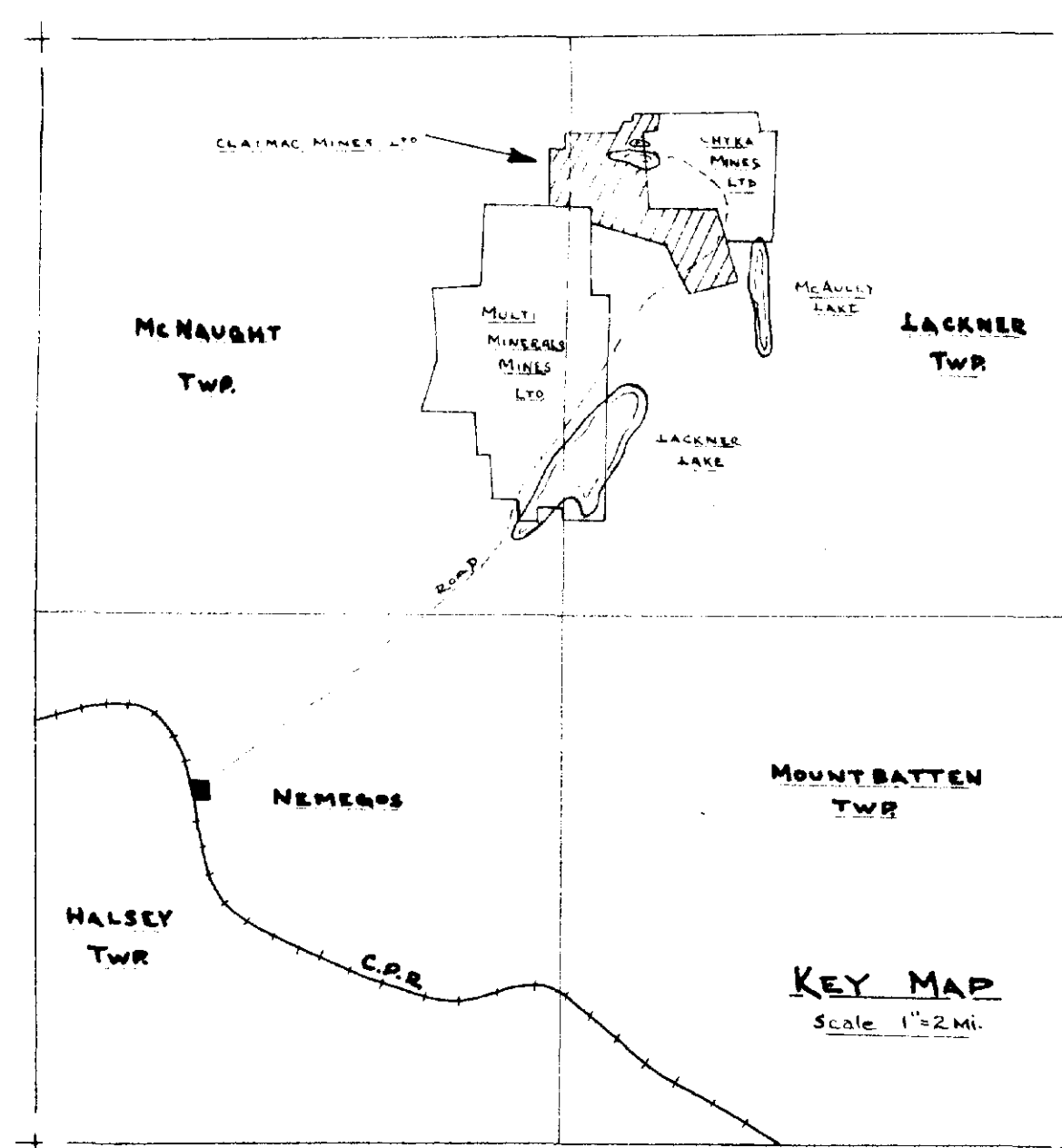
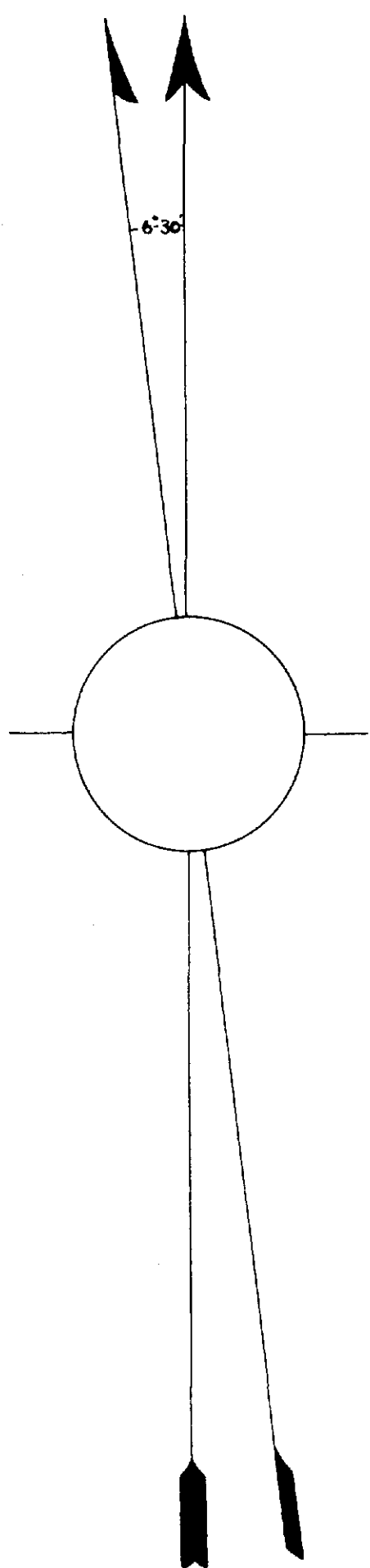
# CLAYMAC MINES LIMITED

McNAUGHT & LACKNER TOWNSHIPS, ONTARIO

SUBBURY MINING DIVISION

## MAGNETOMETER SURVEY PLAN

SCALE — 1 IN. = 300 FT.



### LEGEND

[Shaded box]	PLUS 9000 GAMMAS
[Shaded box]	8000 - 9000 "
[Shaded box]	7000 - 8000 "
[Shaded box]	6000 - 7000 "
[Shaded box]	5000 - 6000 "
[Shaded box]	LESS THAN 5000 "

### SYMBOLS

[Symbol]	DIAMOND BELL HOLE
[Symbol]	CLAIM LINE
[Symbol]	CLAIM POINT
[Symbol]	SURVEYED LINE
[Symbol]	TOWNSHIP LINE
[Symbol]	DICKET LINE
[Symbol]	ROAD
[Symbol]	CREEK
[Symbol]	LOT TOST