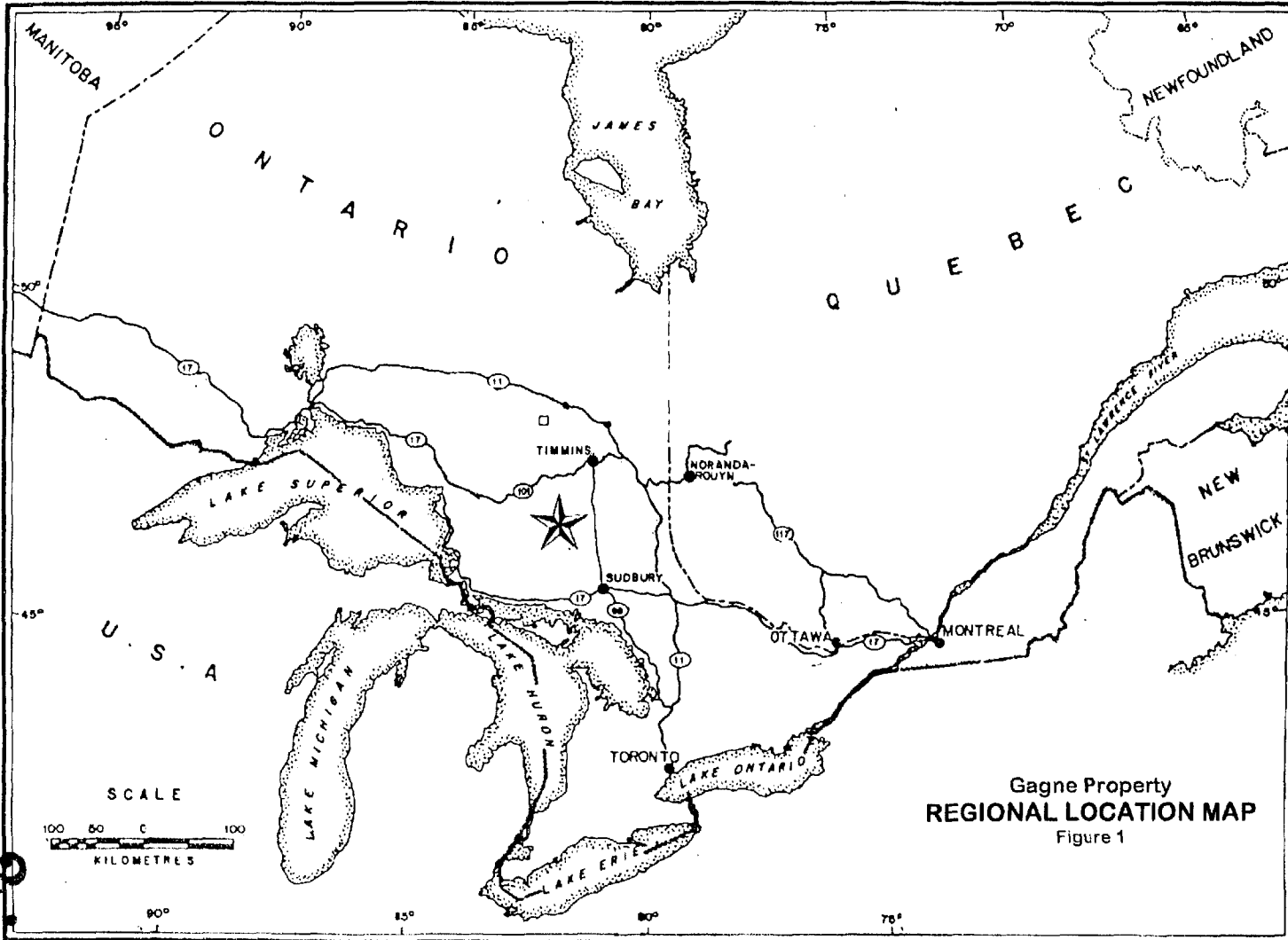


Work Report 2003 (Puppit Claim Block)

Access to the property can be reached by travelling down highway 144, Timmins to Sudbury , turning west on the Sultan Road from highway 144, till mileage marker 40 km is reached. Turn north on a lumber road for 30 km to the edge of the forestry clear cut. From there we take an ATV for 5 km north along a winter logging road. From there we walk in 400 meters east to the trenches.

In June, 2 claims 4 units each were staked to cover an old gold showing that was discovered in the 1970's by Royal Agassiz / Gold Hawk, Owned now by Michael Gagne 50% & Yvon Gagne 50%. Claims are in the Pocupine Mining Division in Marion Township (G -1174).



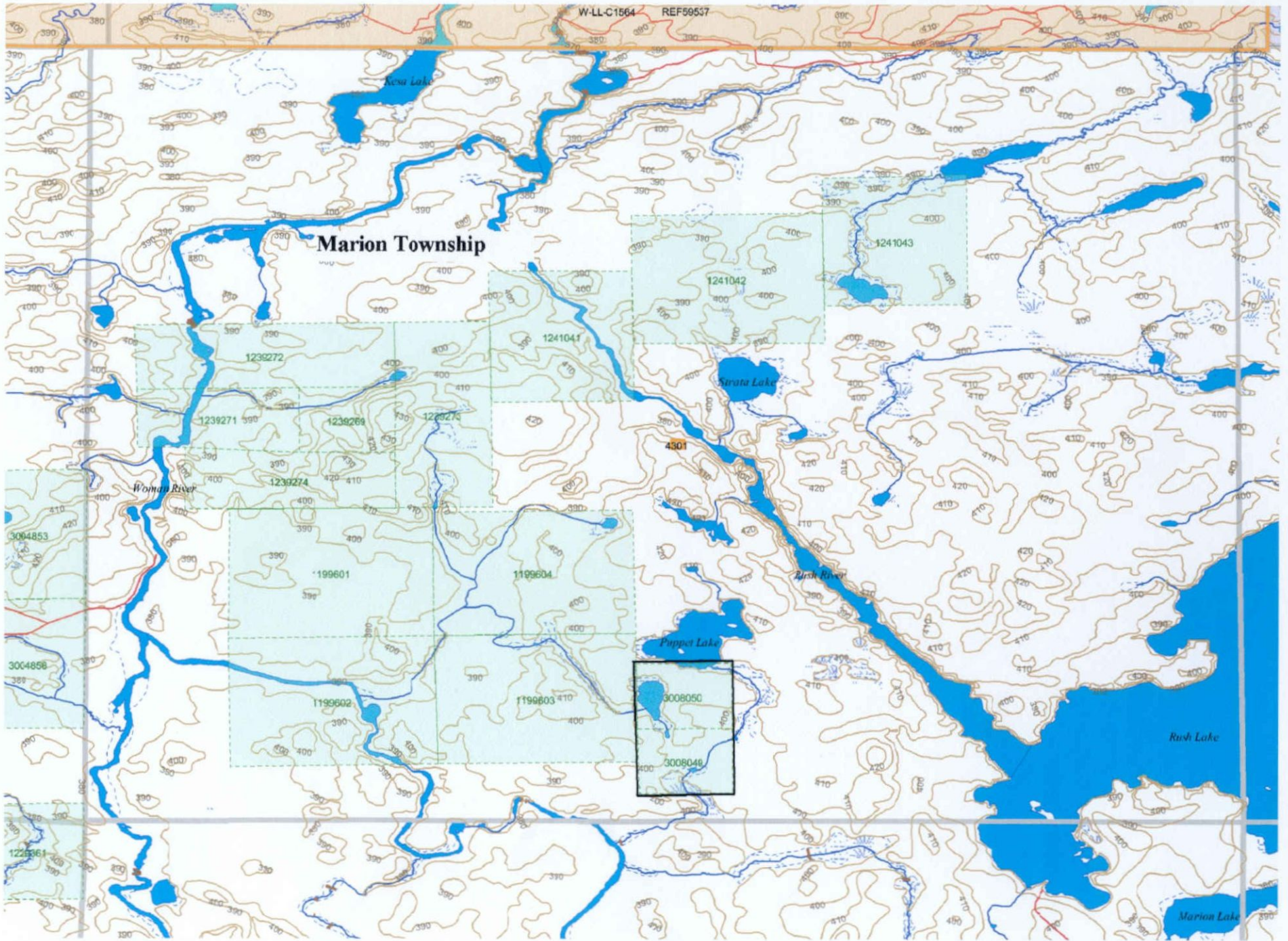


Gagne Property
REGIONAL LOCATION MAP
 Figure 1

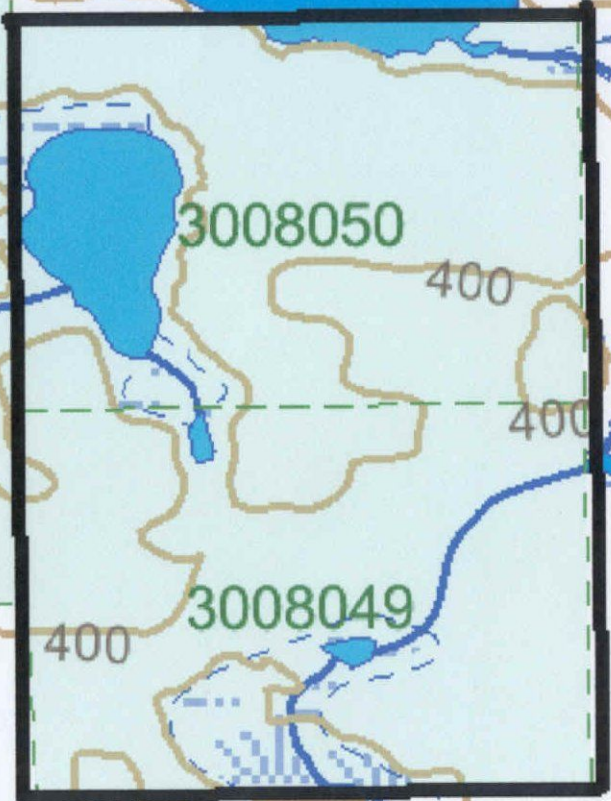
ont (1200x1584x24b.jpeg)

RECEIVED
 JAN 21 2004
 GEOSCIENCE ASSESSMENT
 OFFICE

21040



Puppet Lake



WORK REPORT

Pit # 4 Picture of Royal Agassiz / Gold Hawk trench, looking south, blasted quartz vein covered with moss done in the 1970's . trench is in the center of claim **30008049**



Close up on pit 4



The gold showing is 2-foot quartz vein striking north, containing pyrite, chalcopyrite and gold.

During staking another quartz vein was discovered on the north boundary of claim 3008049 where all the work was done.

Work was carried out during the summer on claim 30008049.

Plugging was done by a Cobra Gas Plugger at a rental rate of \$100.00/day, and labor is \$25.00 / hour with 88 hours worked per man.

DATE	INFO
June 18	30008049 recorded
June 21-22	clear brush cut trail to trench #1
June 24	3008050 recorded
June 25	plug & trench 1
June 26	plug & trench 1
July 1	plug & trench 1
July 5	plug & trench 1
July 6	plug & trench 1
July 18	plug & trench 1
Aug 6-9	Clear brush & plug & trench 2 & 3
Oct 22	Haul out equipment

Picture of trench 1 looking north (drilling in the quartz)





picture of pit #2 looking east, granite basalt contact.

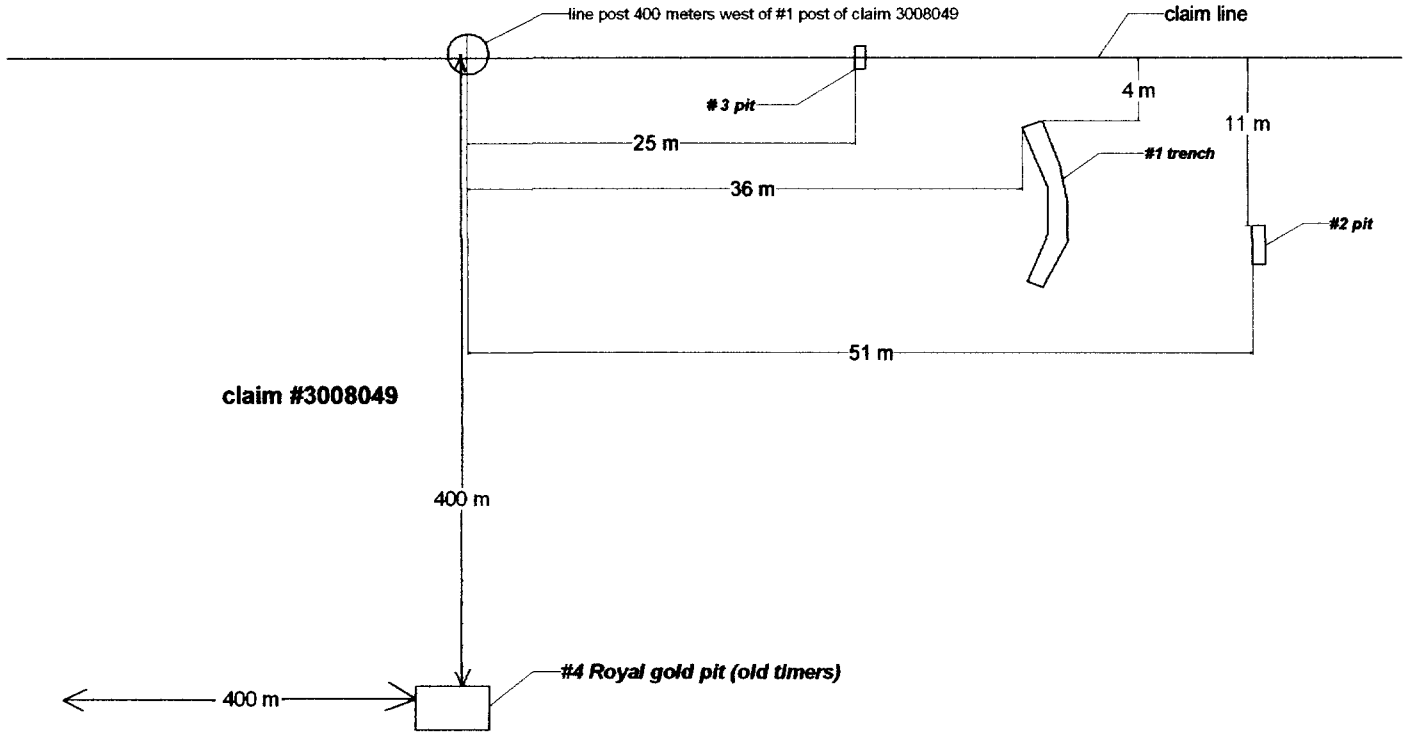


close-up on the stockwork and mineralization in the granite in pit 2



Plan of Trenches and Pits

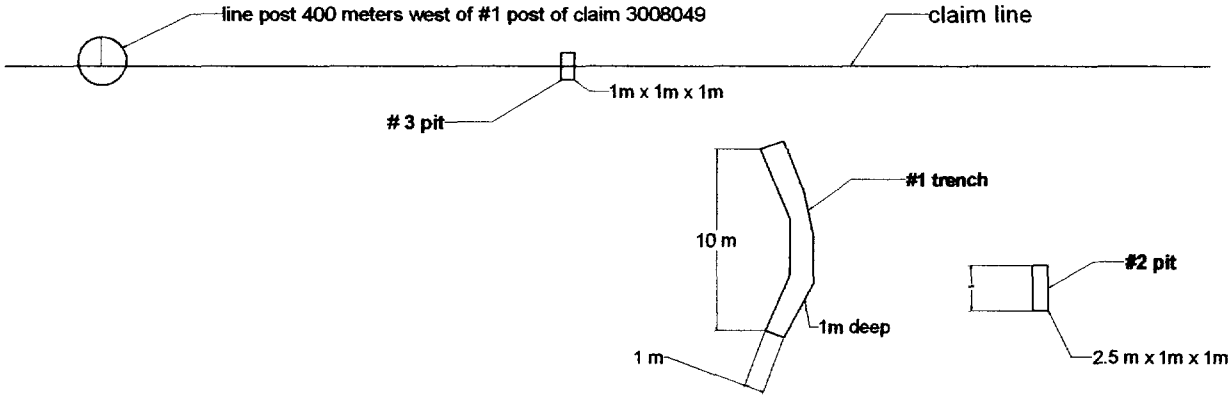
claim # 3008050






<p>scale</p> <p>1m 5m</p>
<p>Legend</p> <p> pit or trench</p>

Dimensions of Trenches and Pits

claim # 3008050



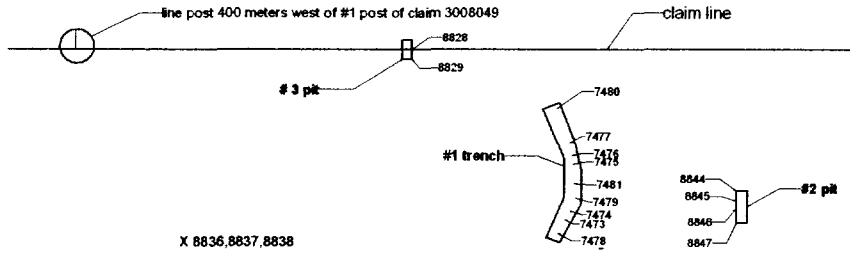
claim #3008049

<p>scale</p> 
<p>Legend</p> <p> pit or trench length x width x depth</p>
<p></p>

Assay Locations

claim # 3008050

X 8839,8840,8841,8842
X 8843



X 8832,8833,8834,8835

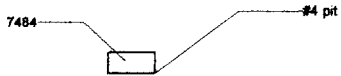
X 8836,8837,8838

X 8830, 8831

X 7472

claim #3008049

X 7485



X 7483, 7486

<p>scale</p>	
<p>Legend</p> <p> 0000 ASSAY NUMBER </p> <p> X assay location </p>	

ASSAY DESCRIPTION

7473.....461ppb..... 1 TRENCH molybdenum in quartz
 747460 ppb.....1 TRENCH felsic rock with pyrite
 7475.....170 ppb..... 1 TRENCH green carbonates
 7476.....98 ppb..... 1 TRENCH granite dike
 7477.....31 ppb.....1 TRENCH quartz with pyrite
 74780.716 ppm.....1 TRENCH 3m chip sample, quartz with pyrite
 7479.....0.052 ppm..... 1 TRENCH 0.5 m chip sample
 74800.046 ppm.....1 TRENCH grab, quartz with pyrite
 74810.134 ppm.....1 TRENCH molybdenum and pyrit in quartz
 7482.....0.007 ppm..... grab, granites
 7483.....0.040 ppm..... 300m west of 4 pit, sulphides in basalt
 7484.....0.120 ppm..... #4 pit, quartz
 7485.....0.002 ppm..... 100 m south of 1 trench, graite with quartz
 74860.007 ppm west of 7483, 30 cm quartz vein with pyrite
 8828.....3 ppb.....3 pit granite with pyrite
 882934 ppb.....3 pit granite with pyrite
 8830.....NIL.....basalt with pyrite
 8831.....NIL.....basalt with pyrite
 8832.....3 ppb..... felsic rock with sulphides
 8833.....86 ppb.....felsic rock with sulphides
 8834134 ppb.....shear
 8835.....34 ppb..... basalt with sulphides
 88362 ppb.....granite with pyrite
 8837.....NIL..... granite with pyrite
 8838.....NIL..... granite with pyrite
 8839.....NIL..... granite with pyrite
 8840.....53 ppb..... granite with pyrite
 8841.....168 ppb..... basalt with pyrite
 8842.....NIL..... granite with pyrite
 8843.....41 ppb.2 pit basalt with pyrite
 8845.....3 ppb..... 2 pit granite with pyrite
 8846.....3 ppb..... 2 pit granite with pyrite
 8847.....9 ppb..... 2pit granite with pyrite



Established 1928

Swastika Laboratories Ltd

Assaying - Consulting - Representation

Geochemical Analysis Certificate

3W-2088-RG1

Company: **Y. GAGNE**

Date: JUN-26-03

Project:

Anal: **Y. Gagne**

We hereby certify the following Geochemical Analysis of 2 Rock samples submitted JUN-23-03 by .

Sample Number	Au PPB
8828	3
8829	34

Certified by

1 Cameron Ave., P.O. Box 10, Swastika, Ontario P0K 1T0
Telephone (705) 642-3244 Fax (705) 642-3300

Swastika Laboratories Ltd.
 P.O. Box 10, 1 Cameron Ave.,
 Swastika, Ontario P0K 1T0
 Tel: (705) 642-3244
 Fax: (705) 642-3300
 E-Mail: swaslab@nt.net

Invoice

DATE	INVOICE #
6/27/2003	5573

To:

YVON GAGNE
 31 BALSAM AVENUE
 KIRKLAND LAKE, ONTARIO
 P2N 1W7

P.O. NO.		TERMS	PROJECT #	
		30 DAYS		
QTY	DESCRIPTION	CERT#	RATE	AMOUNT
2	Au	3W-2088-RG1	8.00	16.00T
2	Sample Prep		3.50	7.00T
Business Number: RT883022329				
			GST	1.61
TOTAL				\$24.61

PAID BY CHQ # 845
 July 3/03



Established 1928

Swastika Laboratories Ltd

Assaying - Consulting - Representation

Geochemical Analysis Certificate

3W-2224-RG1

Company: **YVON GAGNE**

Date: JUL-08-03

Project:

Attn: Y Gagne

We hereby certify the following Geochemical Analysis of 5 Rock samples submitted JUL-07-03 by .

Sample Number	Au	Au Check
	FPB	PPB
7473	461	415
7474	60	-
7475	170	189
7476	98	-
7477	31	-

Certified by 

1 Cameron Ave., P.O. Box 10, Swastika, Ontario P0K 1T0
Telephone (705) 642-3244 Fax (705) 642-3300

Swastika Laboratories Ltd.
 P.O. Box 10, 1 Cameron Ave.,
 Swastika, Ontario P0K 1T0
 Tel:(705) 642-3244
 Fax:(705) 642-3300
 E-Mail:swaslab@nt.net

Invoice

DATE	INVOICE #
7/8/2003	5604

To:

YVON GAGNE
 31 BALSAM AVENUE
 KIRKLAND LAKE, ONTARIO
 P2N 1W7

P.O. NO.		TERMS	PROJECT #	
		30 DAYS		
QTY	DESCRIPTION	CERT#	RATE	AMOUNT
5	Au	3W-2224-RG1	8.00	40.00T
5	Sample Prep		3.50	17.50T
Business Number: RT883022329				
			GST	4.03
TOTAL				\$61.53

Laboratoire Expert Inc

*** Certificate of analysis ***

127, Boulevard Industriel
Rosny-Normandie, QC, J9X 6P2
Tel.: (819) 762-7100

Fax.: (819) 762-7510

Client : Michael Gagne

Folder : 474

Addressee : Michael Gagne
137, Huest Street
P.O. Box 807
South Porcupine
Ontario
Canada P0N 1H0

Tel.: (705) 235-5795
Fax.: (705) 235-5795

Your order number :
Project : NONE

Number of samples: 9

Designation

	As FA-GRA ppm .03	As-Dup FA-GRA ppm .03
7478	0.716	0.678
7479	0.052	
7480	0.046	
7481	0.134	
7482	0.007	
7483	0.040	
7484	0.120	
7485	0.002	
7486	0.007	

Laboratoire Expert

127, Boulevard Industriel
Rouyn-Noranda, Québec J9X 6P2
Canada

Tel: (819) 762-7100 Fax: (819) 762-7510

FACTURE

No. Facture: 278
Date: 18-août-2003
Page: 1

Vendu à:

Michael Gagne
P.O. Box 807
137, Huot Street
South Porcupine, Ontario
Canada P0N 1H0

Expédié à:

Michael Gagne
P.O. Box 807
137, Huot Street
South Porcupine, Ontario
Canada P0N 1H0

No. d'entreprise: 1161131298

Article	Quantité	Unité	Description	Taxe(s)	Prix unit.	Montant
	9	each	Analysis for AU & prep	GO	11.00	99.00
			Sous-total:			99.00
			GO - TPS 7%, TVQ taxable à 0%			
			TPS			6.90
			TVP			
			<p><i>Paid</i> <i>check # 445</i> <i>[Signature]</i></p>			
Laboratoire Expert TVP: #1202503418 Laboratoire Expert TPS: #144791217						
Remarques / Comments				Transport		0.00
Payable sur réception / Payable upon receipt				Total		105.90



Swastika Laboratories Ltd

Assaying - Consulting - Representation

Geochemical Analysis Certificate

3W-2707-RG1

Company: YVON GAGNE

Date: AUG-28-03

Project:

Attn: Y. Gagne

We hereby certify the following Geochemical Analysis of 2 Rock samples submitted AUG-26-03 by .

Sample Number	Au PPB	Au Check PPB
8830	Nil	Nil
8831	Nil	-

Certified by 

1 Cameron Ave., P.O. Box 10, Swastika, Ontario P0K 1T0
Telephone (705) 642-3244 Fax (705) 642-3300

Swastika Laboratories Ltd.

P.O. Box 10, 1 Cameron Ave.,

Swastika, Ontario P0K 1T0

Tel: (705) 642-3244

Fax: (705) 642-3300

E-Mail: swaslab@nt.net

Invoice

DATE	INVOICE #
8/28/2003	5799

To:

YVON GAGNE

31 BALSAM AVENUE

KIRKLAND LAKE, ONTARIO

P2N 1W9

P.O. NO.		TERMS	PROJECT #	
		30 DAYS		
QTY	DESCRIPTION	CERT#	RATE	AMOUNT
2	Au	3W-2707-RG1	8.00	16.00T
2	Sample Prep		3.50	7.00T
Business Number: RT883022329				
			GST	1.61
TOTAL			\$24.61	



Established 1928

Swastika Laboratories Ltd

Assaying - Consulting - Representation

Geochemical Analysis Certificate

3W-2861-RG1

Company: **YVON GAGNE**

Date: **SEP-16-03**

Project:

Attn: **Y. Gagne**

We hereby certify the following Geochemical Analysis of 4 Rock samples submitted SEP-10-03 by .

Sample Number	Au PPB	Au Check PPB	Ni PPM	Pt PPB	Pd PPB
8832	3	-	-	-	-
8833	86	-	1	<5	<5
8834	134	142	1	<5	<5
8835	34	-	470	<5	<5

Certified by *Danielle Charbonneau*

1 Cameron Ave., P.O. Box 10, Swastika, Ontario P0K 1T0
Telephone (705) 642-3244 Fax (705) 642-3300

Swastika Laboratories Ltd.
 P.O. Box 10, 1 Cameron Ave.,
 Swastika, Ontario P0K 1T0
 Tel: (705) 642-3244
 Fax: (705) 642-3300
 E-Mail: swaslab@nt.net

Invoice

DATE	INVOICE #
9/16/2003	5883

To:

YVON GAGNE
 31 BALSAM AVENUE
 KIRKLAND LAKE, ONTARIO
 P2N 1W9

P.O. NO.		TERMS		PROJECT #	
		30 DAYS			
QTY	DESCRIPTION	CERT#	RATE	AMOUNT	
3	Au Pt Pd	3w-2861-rgl	18.00	54.00T	
1	Au		8.00	8.00T	
3	Ni		3.00	9.00T	
4	Sample Prep		3.50	14.00T	
Business Number: RT883022329					
			GST	5.95	
TOTAL				\$90.95	

Geochemical Analysis Certificate

3W-3311-RG1

Company: **YVON GAGNE**
Project:
Attn: **Y. Gagne**

Date: **OCT-24-03**

We hereby certify the following Geochemical Analysis of 8 Cuttings/Rock samples submitted OCT-17-03 by .

Sample Number	Au Au Check PPM	Ag PPM	Cu PPM	Ni PPM	Pb PPM	Zn PPM	Pt PPM	Pd PPM
8836	2	Nil	-	-	-	-	-	-
8837	Nil	-	-	-	-	-	-	-
8838	Nil	-	-	-	-	-	-	-
8839	Nil	-	-	-	-	-	-	-
8840	53	-	-	-	-	-	-	-
8841	168	147	0.3	266	210	1	178	<5
8842	Nil	-	-	-	-	-	-	-
8843	41	43	-	-	-	-	-	-

Certified by *Dennis Chantre*

1 Cameron Ave., P.O. Box 10, Swastika, Ontario P0K 1T0
Telephone (705) 642-3244 Fax (705) 642-3300

Swastika Laboratories Ltd.
 P.O. Box 10, 1 Cameron Ave.,
 Swastika, Ontario P0K 1T0
 Tel: (705) 642-3244
 Fax: (705) 642-3300
 E-Mail: swaslab@nt.net

Invoice

DATE	INVOICE #
10/28/2003	6027

To:

YVON GAGNE
 31 BALSAM AVENUE
 KIRKLAND LAKE, ONTARIO
 P2N 1W7

P.O. NO.		TERMS	PROJECT #	
		30 DAYS		
QTY	DESCRIPTION	CERT#	RATE	AMOUNT
1	Au Pt Pd	3W-3311-RG1	18.00	18.00T
7	Au		8.00	56.00T
1	Ag		3.00	3.00T
1	Cu		1.50	1.50T
1	Ni		1.50	1.50T
1	Pb		1.50	1.50T
1	Zn		1.50	1.50T
4	Au	3W-3389-RG1	8.00	32.00T
4	Sample Prep		3.50	14.00T
Business Number: RT883022329				
			GST	9.03
TOTAL			\$138.03	

*PAID OCT 31/03
 CHQ. #058*



Established 1928

Swastika Laboratories Ltd

Assaying - Consulting - Representation

Geochemical Analysis Certificate

3W-3389-RG1

Company: **YVON GAGNE**

Date: OCT-28-03

Project:

Attn: **Y Gagne**

We hereby certify the following Geochemical Analysis of 4 Rock samples submitted OCT-24-03 by .

Sample Number	Au	Au Check
	PPB	PPB
8844	51	48
8845	3	-
8846	3	-
8847	9	-

Certified by *Dennis Chouh*

1 Cameron Ave., P.O. Box 10, Swastika, Ontario P0K 1T0
Telephone (705) 642-3244 Fax (705) 642-3300

Swastika Laboratories Ltd.
P.O. Box 10, 1 Cameron Ave.,
Swastika, Ontario P0K 1T0
Tel: (705) 642-3244
Fax: (705) 642-3300
E-Mail: swaslab@nt.net

Invoice

DATE	INVOICE #
10/28/2003	6027

To:

YVON GAGNE
31 BALSAM AVENUE
KIRKLAND LAKE, ONTARIO
P2N 1W7

P.O. NO.		TERMS	PROJECT #	
		30 DAYS		
QTY	DESCRIPTION	CERT#	RATE	AMOUNT
1	Au Pt Pd	3W-3311-RGI	18.00	18.00T
7	Au		8.00	56.00T
1	Ag		3.00	3.00T
1	Cu		1.50	1.50T
1	Ni		1.50	1.50T
1	Pb		1.50	1.50T
1	Zn		1.50	1.50T
4	Au	3W-3389-RGI	8.00	32.00T
4	Sample Prep		3.50	14.00T
Business Number: RT883022329				
			GST	9.03
TOTAL				\$138.03

Date: 2004-JAN-23

GEOSCIENCE ASSESSMENT OFFICE
933 RAMSEY LAKE ROAD, 6th FLOOR
SUDBURY, ONTARIO
P3E 6B5

YVON MICHAEL GAGNE
31 Balsam Ave.
Kirkland Lake, ONTARIO
P2N 1W7 CANADA

Tel: (888) 415-9845
Fax: (877) 670-1555

Submission Number: 2.27040
Transaction Number(s): W0460.00118

Dear Sir or Madam

Subject: Approval of Assessment Work

We have approved your Assessment Work Submission with the above noted Transaction Number(s). The attached Work Report Summary indicates the results of the approval.

At the discretion of the Ministry, the assessment work performed on the mining lands noted in this work report may be subject to inspection and/or investigation at any time.

If you have any question regarding this correspondence, please contact STEVEN BENETEAU by email at steve.beneteau@ndm.gov.on.ca or by phone at (705) 670-5855.

Yours Sincerely,



Ron C. Gashinski
Senior Manager, Mining Lands Section

Cc: Resident Geologist

Michael Yvon Gagne
(Claim Holder)

Yvon Michael Gagne
(Assessment Office)

Assessment File Library

Yvon Michael Gagne
(Claim Holder)



41016SW2008 2.27040 MARION

200

ONTARIO CANADA

MINISTRY OF NORTHERN DEVELOPMENT AND MINES
PROVINCIAL MINING RECORDER'S OFFICE

Mining Land Tenure Map

Date / Time of Issue: Fri Jan 23 10:15:52 EST 2004

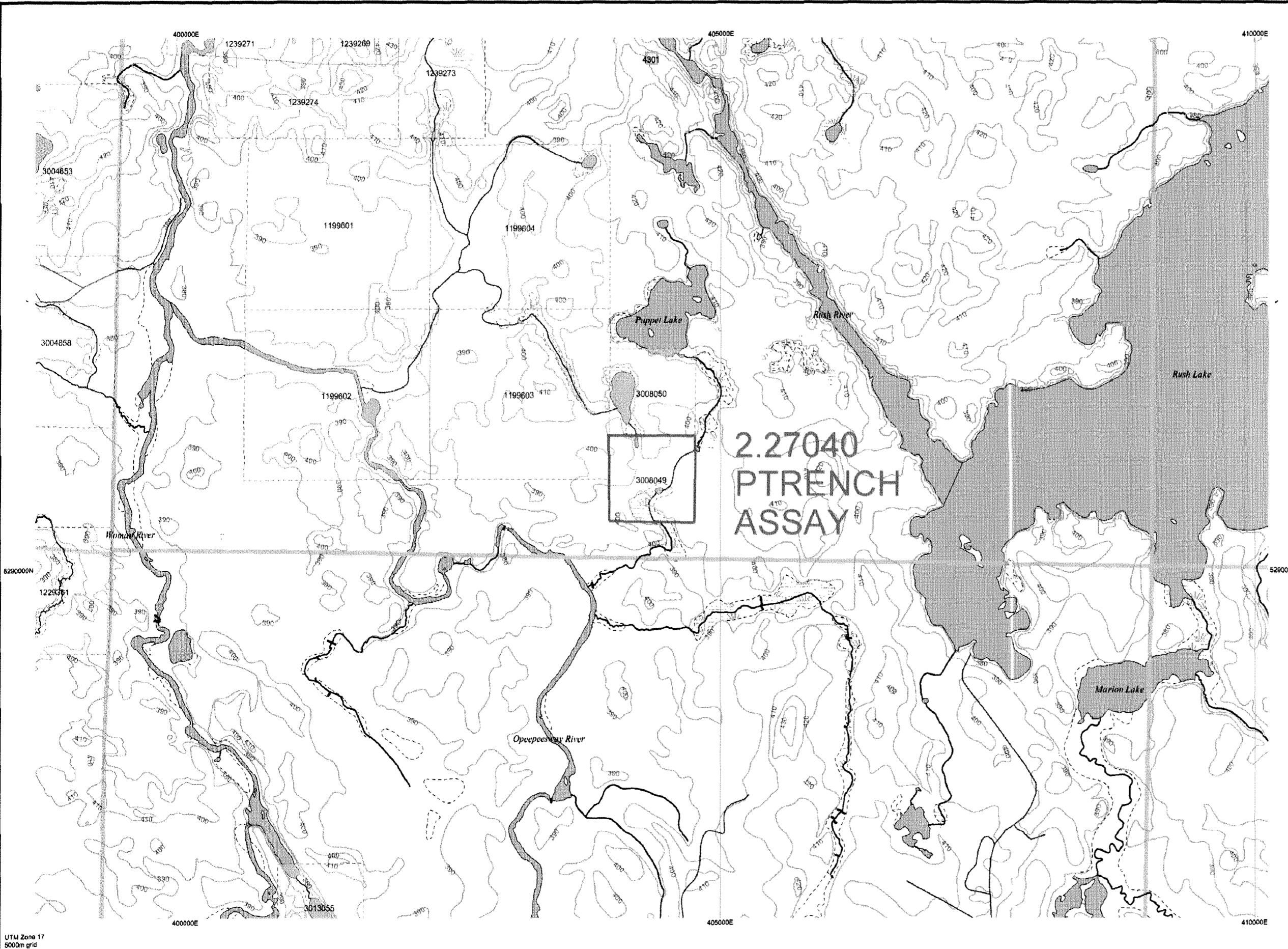
TOWNSHIP / AREA
MARION

PLAN
G-1174

ADMINISTRATIVE DISTRICTS / DIVISIONS

Mining Division
Land Titles/Registry Division
Ministry of Natural Resources District

Porcupine
SUDBURY
CHAPLEAU

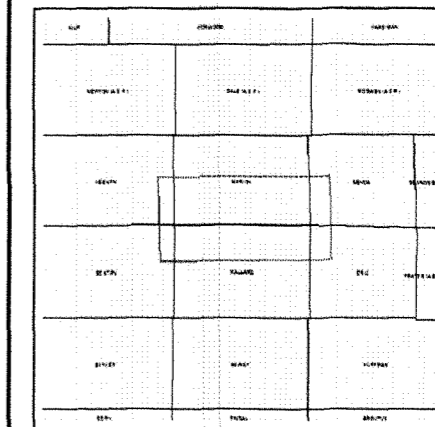


TOPOGRAPHIC

- Administrative Boundaries
- Township
- Concession Lot
- Provincial Park
- Indian Reserve
- Cree, Pit & Pile
- Contour
- Mine Shafts
- Mine Hoistframe
- Railway
- Road
- Trail
- Natural Gas Pipeline
- Utilities
- Tower

Land Tenure

- Freehold Patent
 - Surface And Mining Rights
 - Surface Rights Only
 - Mining Rights Only
- Leasehold Patent
 - Surface And Mining Rights
 - Surface Rights Only
 - Mining Rights Only
- Licence of Occupation
 - Uses Not Specified
 - Surface And Mining Rights
 - Surface Rights Only
 - Mining Rights Only
- Land Use Permit
- Order In Council (Not open for staking)
- Water Power Lease Agreement
- Mining Claim
- Filed Only Mining Claims



LAND TENURE WITHDRAWALS

- 1234 Areas Withdrawn from Disposition
- Mining Acts Withdrawal Types
 - Wsm Surface And Mining Rights Withdrawn
 - Ws Surface Rights Only Withdrawn
 - Wm Mining Rights Only Withdrawn
 - Order In Council Withdrawal Types
 - Wsm Surface And Mining Rights Withdrawn
 - Ws Surface Rights Only Withdrawn
 - Wm Mining Rights Only Withdrawn
- IMPORTANT NOTICES



LAND TENURE WITHDRAWAL DESCRIPTIONS

Identifier	Type	Date	Description
4301	Wsm	Jan 1, 2001	400 FEET SURFACE RIGHTS RESERVATION ALONG THE SHORES OF ALL LAKES AND RIVERS
W-LL-C1564	Wsm	Nov 21, 2001	Mining and Surface rights withdrawal Section 35 of the Mining Act RSO 1999 Order # W-LL-2001/01 ONT. Nov. 21, 2001 Note: this boundary closely represents the area that is being proposed for regulation and may be subject to further change.

Those wishing to stake mining claims should consult with the Provincial Mining Recorders' Office of the Ministry of Northern Development and Mines for additional information on the status of the lands shown hereon. This map is not intended for navigational, survey, or land title determination purposes as the information shown on this map is compiled from various sources. Completeness and accuracy are not guaranteed. Additional information may also be obtained through the local Land Titles or Registry Office, or the Ministry of Natural Resources.

The information shown is derived from digital data available in the Provincial Mining Recorders' Office at the time of downloading from the Ministry of Northern Development and Mines web site.

General Information and Limitations

Contact Information:
Provincial Mining Recorders' Office
Willet Green Miller Centre 933 Ramsey Lake Road
Sudbury ON P3E 6B5
Home Page: www.mndm.gov.on.ca/MNDM/MINES/LANDS/mimppge.htm

Toll Free
Tel: 1 (888) 415-9845 ext 57
Fax: 1 (877) 670-1444

Map Datum: NAD 83
Projection: UTM (8 degree)
Topographic Data Source: Land Information Ontario
Mining Land Tenure Source: Provincial Mining Recorders' Office

This map may not show unregistered land tenure and interests in land including certain patents, leases, easements, right of ways, flooding rights, licences, or other forms of disposition of rights and interest from the Crown. Also certain land tenure and land uses that restrict or prohibit free entry to stake mining claims may not be illustrated.