

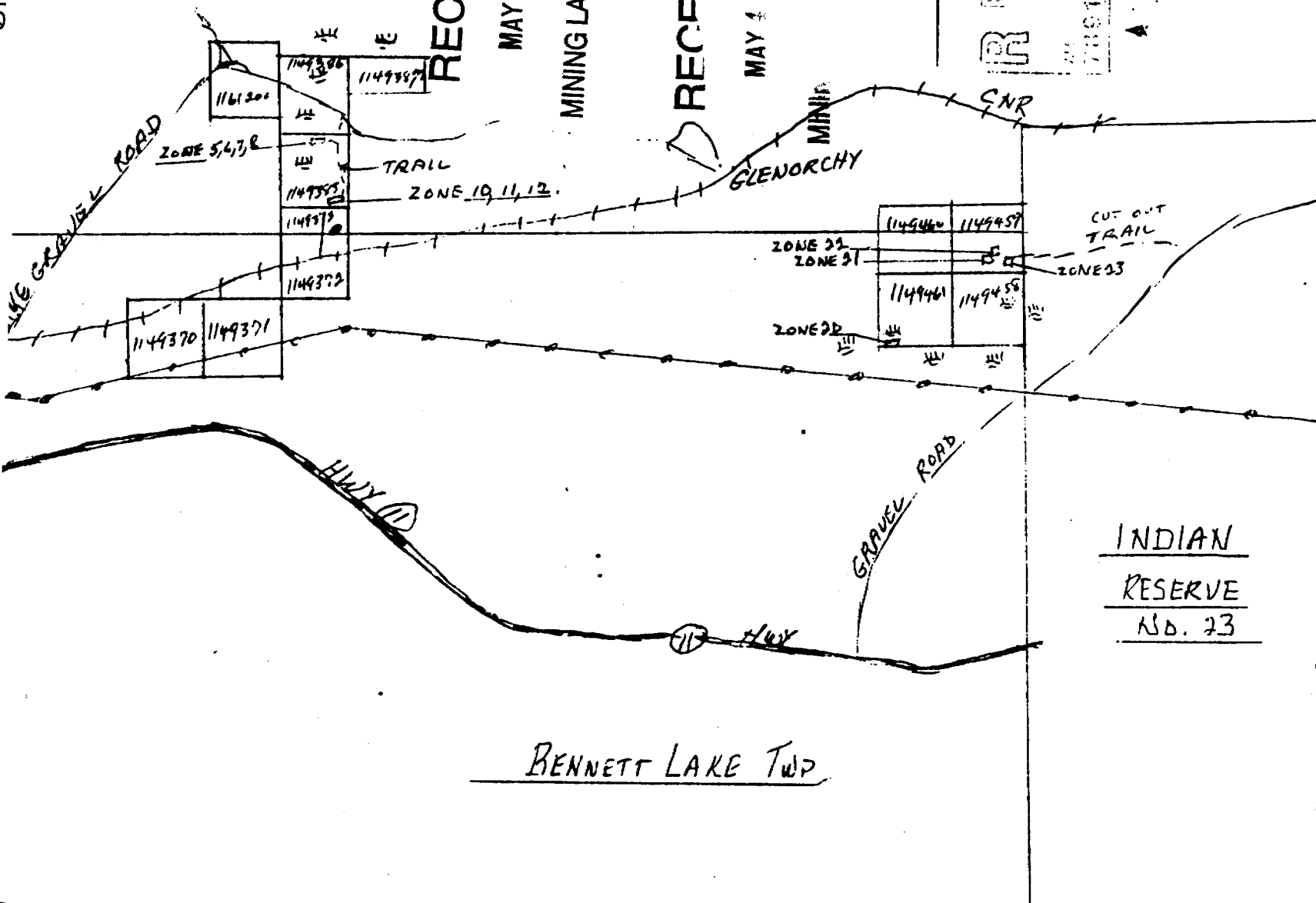
ACCESS BENNETT LAKE

ACCESS ROUTE

010



52C16SW8250 2.14554 BENNETT LAKE



RECEIVED

MAY 4 - 1992

MINING LANDS BRANCH

RECEIVED

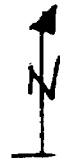
MAY 4 - 1992

KENORA
MINING DIV.

RECEIVED

APR 27 1992

7881011 1212345



INDIAN
RESERVE
NO. 23

BENNETT LAKE TWP

9.7.92

PROSPECTING DAILY LOG

<u>PROJECT AREA</u>	<u>DATE</u>	<u>WORK PERFORMED</u>
BENNETT LAKE	MAY 05 / 91	PROSPECTED SOUTH LINE CLAIM 1149461 - 1-SAMPLE
ZONE - 20-21	MAY 06 / 91	PROSPECTED NORTH AND EAST LINES CLAIM 1149460 1-SAMPLE
ZONE 20, 24, 22, 25	MAY 07 / 91	PROSPECTED CENTER AREA OF CLAIM 1149459 FOUND OLD GOLD PIT 2-SAMPLE
	MAY 08 / 91	PROSPECTED HYDR LINE SOUTH OF CLAIM 1149458 - 1 SAMPLE

JAN 9 / 92 BY SNOWSHOEING FOUND SUITABLE ROUTE TO ZONE 21 VIA RE
LOCATION OF PROSPECTING - JAN 10 / 92 SNOWSHOE AND CUT OUT ROUTE TO ZONE 21
 NOW ABLE TO USE SNOW MACHINE & BRING IN PLUGS

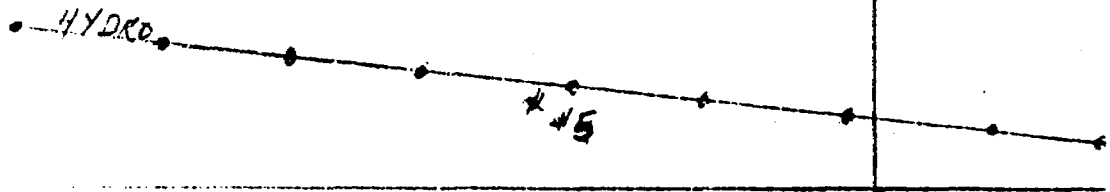
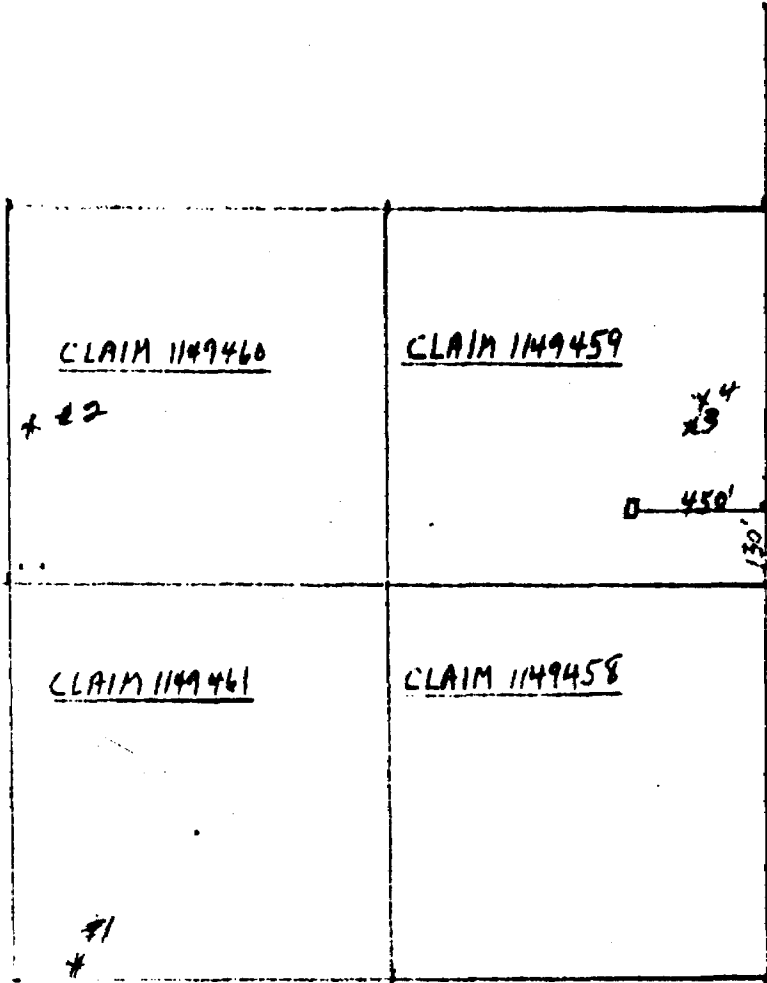
- AREA OUTLINED ON PREVIOUSLY SUBMITTED CLAIM MAP
- DETAILED SKETCH ATTACHED

DESCRIPTION OF SAMPLES

<u>SAMPLE NO</u>	<u>TYPE</u>	<u>ROCK TYPE</u>	<u>MINERALIZATION</u>	<u>ASSAY</u>
1	GRAB	GREENSTONE	MINOR SULPHIDE	TR - A
2	GRAB	GREENSTONE QTL - STRINGERS	MINOR SULPHIDE	TR - A
3	GRAB	QUARTZ	MINOR SULPHIDE	TR - A
4	GRAB	SCHIST + QTL STRINGERS	MINOR SULPHIDE	TR - A
5	GRAB	SCHIST + QTL STRINGERS	MINOR SULPHIDE	TR - A

BENNETT LAKE RAINY RIVER DISTRICT

LOCATION OF PROSPECTING



WILD POTATOE LAKE AREA



PAUL'S CUSTOM FIRE ASSAYING LTD.

Phone: Bus. (807) 662-817

Res. (807) 662-336

Fax: (807) 662-115

PAUL OKANSKI, Assayer
Box 253, Cochenour, Ontario POV 1L0

No. 00000000

ASSAY CERTIFICATE

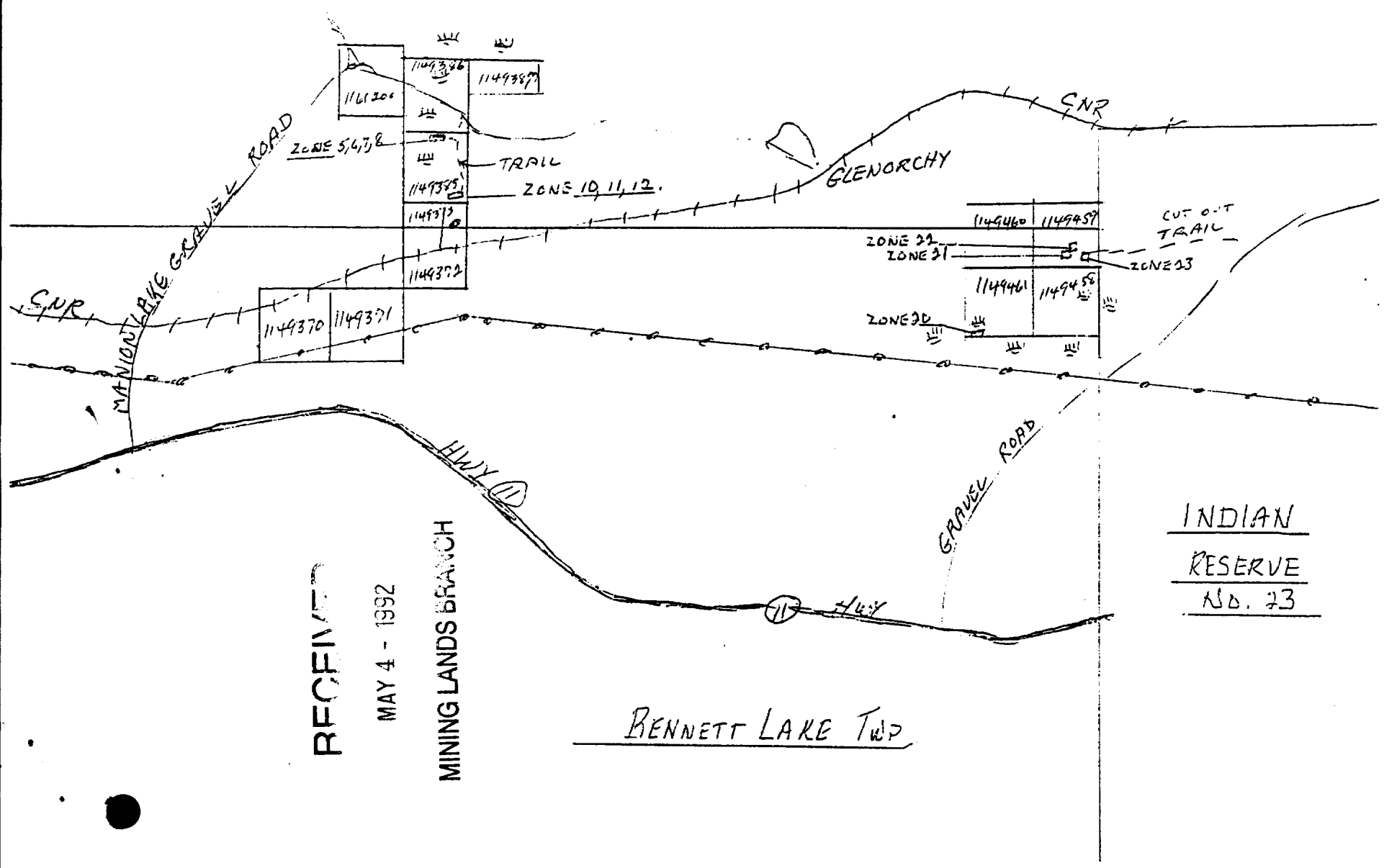
Date: May 15-91

Sample No.	Description	oz/ton Au	oz/ton Ag
1	#1 MAY 5 ZONE 20	Trace	
2	2 " 6 CLAIM 1149460	"	
3	3 " 7 " 1149459	"	
4	4 " 7 " 1149459	"	
5	5 # 8 HYDRO LINE	"	
6			
7			
8			
9			
10			
11			
12			
13			
14			
15			
16			
17			
18			
19			
20			
21			
22			
23			
24			
25			

Assayer:

MCCLEOD DENNETT LAKE

--- ACCESS ROUTE



RECEIVED

MAY 4 - 1992

MINING LANDS BRANCH

BENNETT LAKE TWP

INDIAN
RESERVE
No. 73

PROSPECTING DAILY LOG

<u>PROJECT AREA</u>	<u>DATE</u>	<u>WORK PERFORMED</u>
BENNETT LAKE	MAY-9	PROSPECTING NORTH LINE ✓ CLAIM 1149370 NO SAMPLE
	MAY-10	PROSPECTED SOUTH AND EAST ✓ LINE CLAIM 1149373 - 1 SAMPLE
	MAY-12	PROSPECTED NORTH LINE ✓ CLAIM 1149373 - 1 SAMPLE
	MAY-14	✓ PROSPECTED SOUTH & EAST CL. LINE CLAIM 1149387 - 1 SAMPLE
	MAY-16	✓ PROSPECTED SOUTH LINE CLAIM AREA 1149385 - 2 SAMPLES

ZONE
5678
+
10-11-12

LOCATION OF PROSPECTING

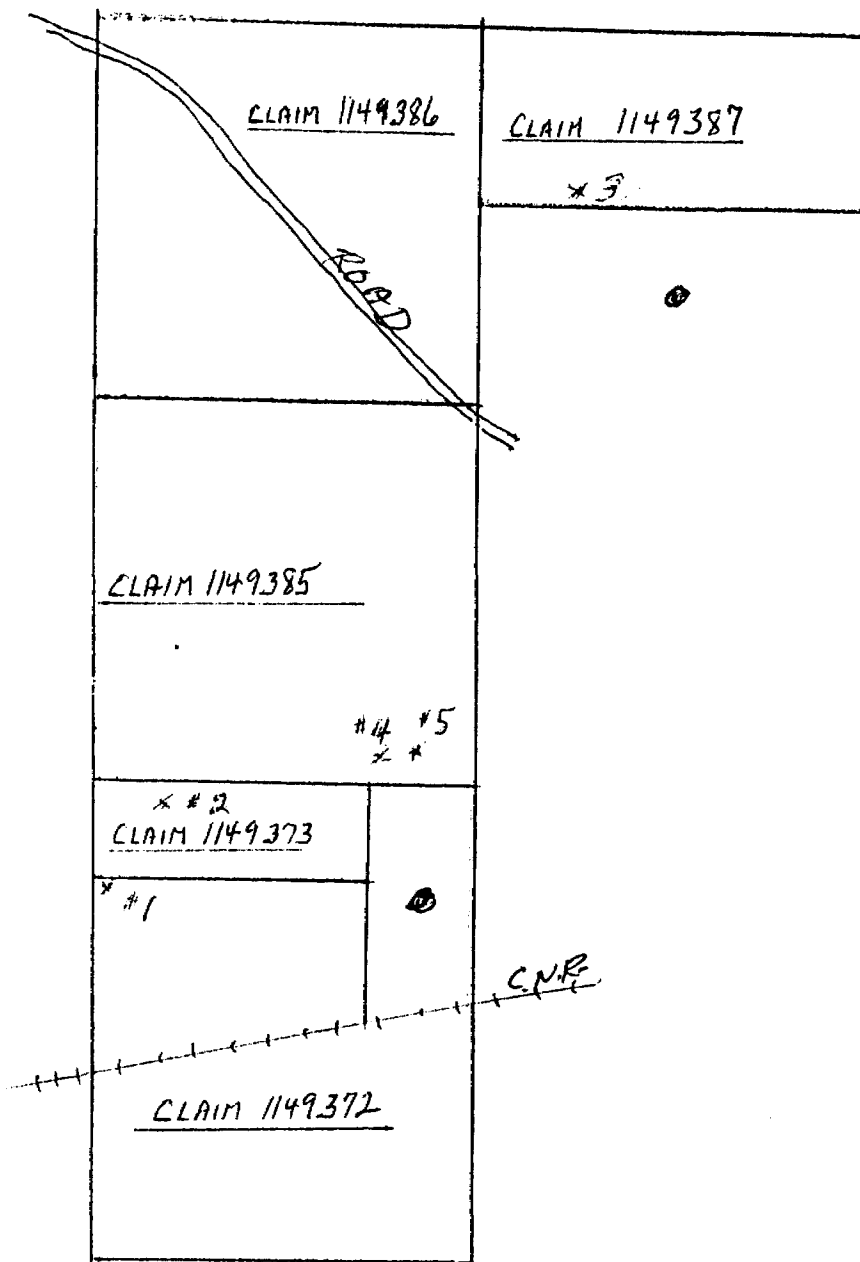
- AREA OUTLINED ON PREVIOUSLY SUBMITTED CLAIM MAP
- DETAILED SKETCH ATTACHED

DESCRIPTION OF SAMPLES

<u>SAMPLE NO</u>	<u>TYPE</u>	<u>ROCKTYPE</u>	<u>MINERALIZATION</u>	<u>ASSAY</u>
1	GRAB	FELSIC TUFF	MINOR SULPHIDES	TR-AU
2	GRAB	QUARTZ VEIN	MINOR SULPHIDES	TR-AU
3	GRAB	GREENSTONE	MINOR SULPHIDES	TR-AU
4	GRAB	FELSIC TUFF	MINOR SULPHIDES	TR-AU
5	GRAB	FELSIC TUFF	MINOR SULPHIDES	TR-AU

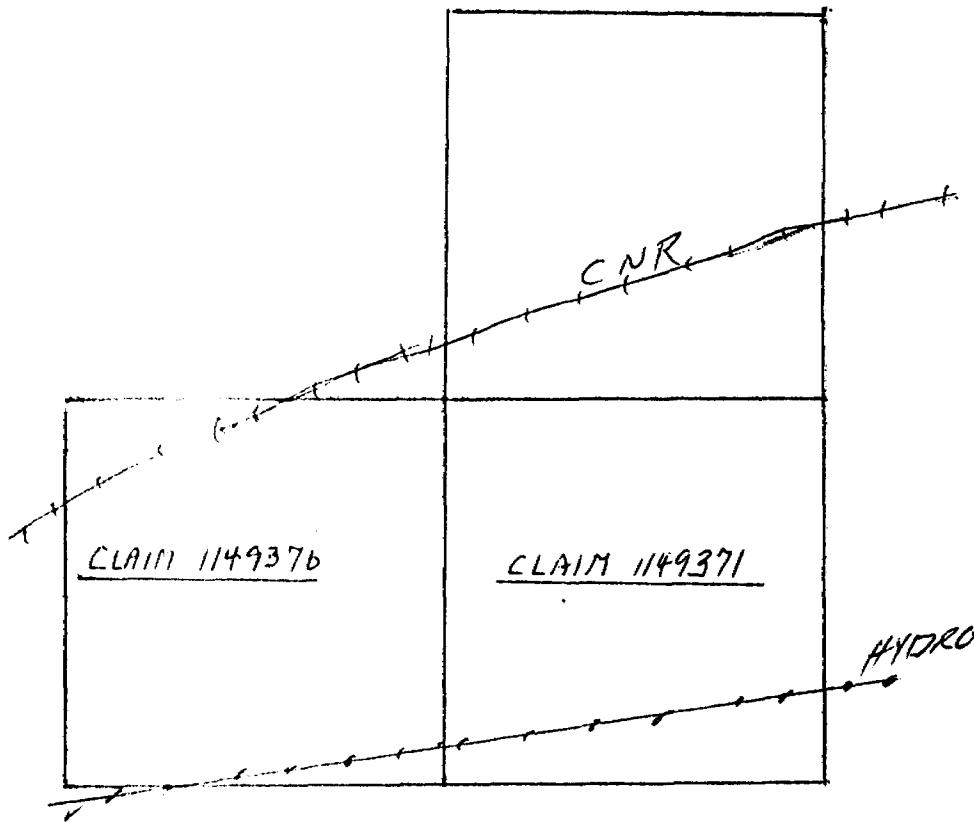
BENNETT LAKE RAINY RIVER DISTRICT

LOCATION OF PROSPECTING



BENNETT LAKE RAINY RIVER DISTRICT

LOCATION OF PROSPECTING



STRIPPING AND TRENCHING DAILY LOG

<u>PROJECT AREA</u>	<u>DATE</u>	<u>WORK PERFORMED</u>
BENNETT LAKE ZONE 5 & 8	JUNE 2/91	STRIPPING AREA ZONE 5 NORTH LINE CLAIM 1149385
ZONE 5 & 8	JUNE 9	STRIPPING AREA ZONE 6 NORTH LINE CLAIM 1149385
	JUNE 16	STRIPPING AREA ZONE 7 NORTH LINE CLAIM 1149385
	JUNE 22	STRIPPING AREA ZONE 7 NORTH LINE CLAIM 1149385
	JUNE 23	BLAST-DRILL-NORTH 1/2 ZONE 7 NORTH LINE CLAIM 1149385
	JUNE 26	DRILL-BLAST-TRENCH N. 1/2 ZONE 7 NORTH LINE CLAIM 1149385
	JULY 3	STRIP NORTH HALF AREA ZONE 8 NORTH LINE CLAIM 1149385
	JULY 4	STRIP SOUTH HALF AREA ZONE 8 NORTH LINE CLAIM 1149385
	JULY 7	DRILL+BLAST+TRENCH PIT #1 ZONE 8 N. LINE CLAIM 1149385
	JULY 8	DRILL+BLAST+TRENCH+SAMPLE PIT #1 ZONE 8 N. LINE CL. 1149385
	JULY 10	DRILL+BLAST+TRENCH PIT #2 ZONE 8 N. LINE CL. 1149385
	JULY 14	DRILL+BLAST+TRENCH PIT #3 ZONE 8 N. LINE CL. 1149385
	JULY 21	DRILL+BLAST+TRENCH PIT #4 ZONE 8 N. LINE CL. 1149385

LOCATION OF STRIPPING & TRENCHING

SKETCH ATTACHED

SKETCH OF TRENCHING AND SAMPLING

SKETCH ATTACHED

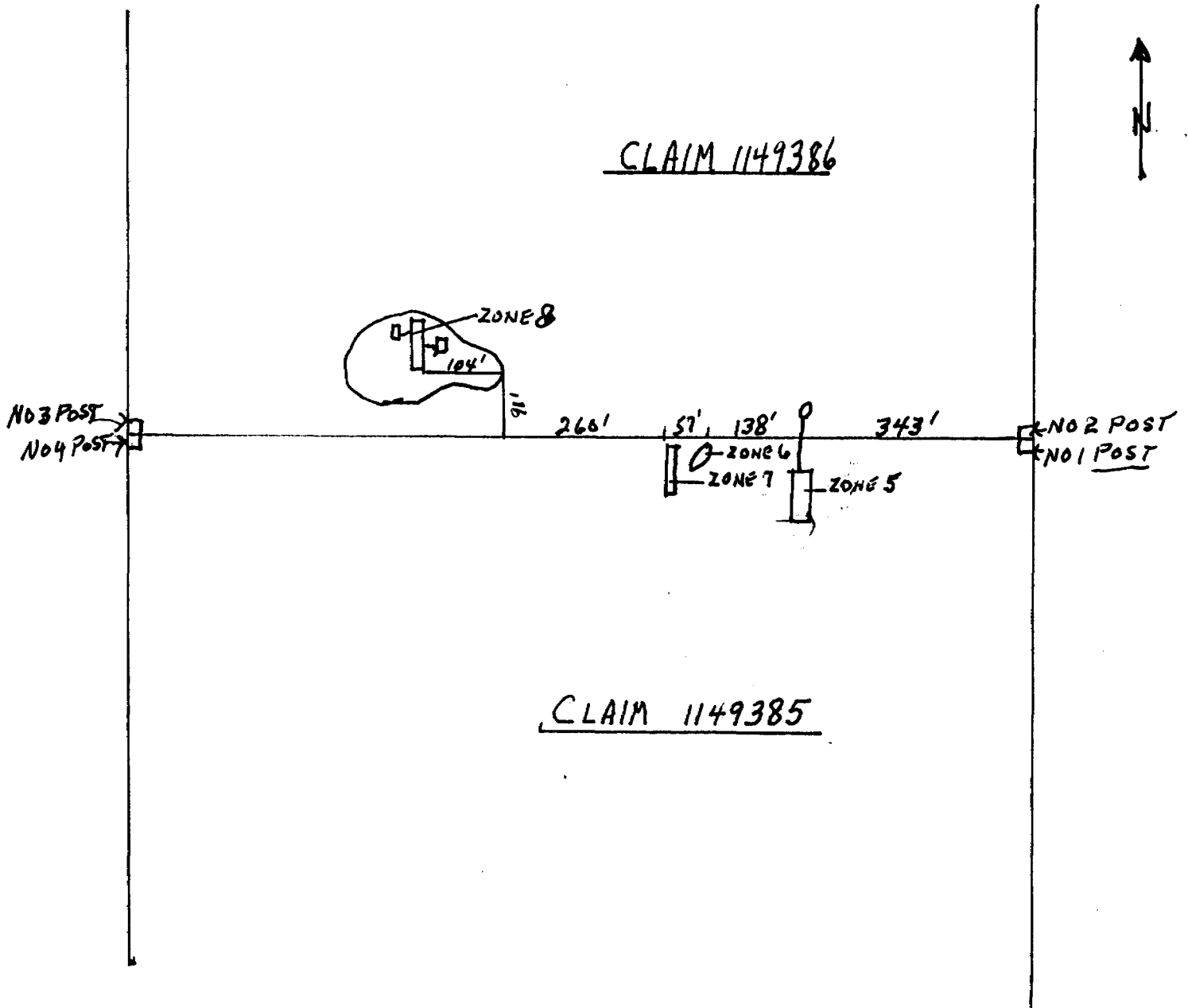
DESCRIPTION OF SAMPLES

<u>SAMPLE NO</u>	<u>TYPE</u>	<u>ROCK TYPE</u>	<u>MINERALIZATION</u>	<u>ASSAY</u>
6	CHIP(S)		MINOR SULPHIDE	TR-AU.
7	CHIP(S)		MINOR SULPHIDE	TR-AU
8	CHIP(S)		MINOR SULPHIDE	TR-AU
9	CHIP(S)		MINOR SULPHIDE	TR-AU

BENNETT LAKE TWP. RAINY RIVER DISTRICT

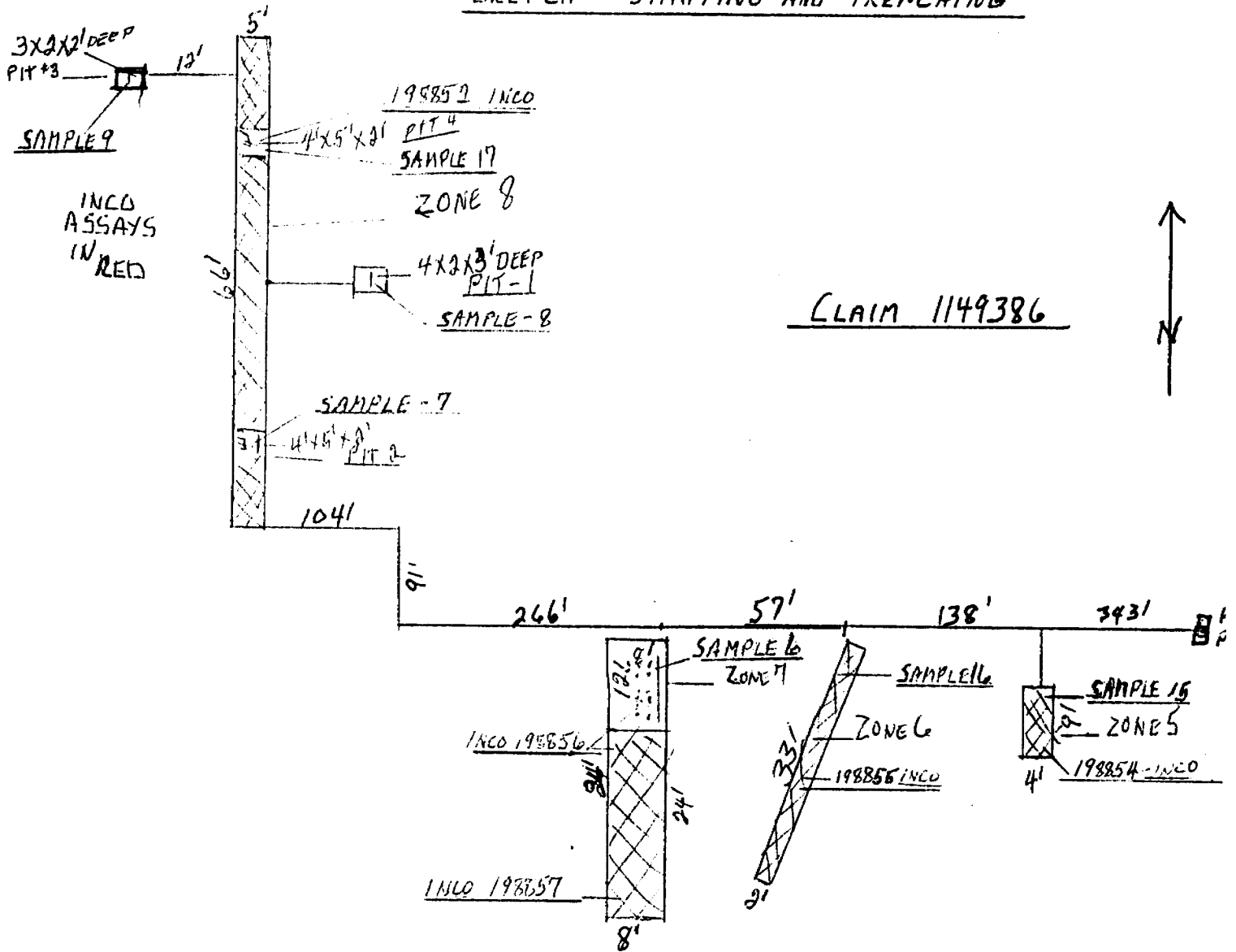
1-PACE = 2.6' SCALE 1" = 300'

LOCATION STRIPPING AND TRENCHING



BENNETT LAKE 82667 RAINY RIVER DISTRICT

SKETCH STRIPPING AND TRENCHING



STRIPPING & TRENCHING - DAILY LOG

<u>PROJECT AREA</u>	<u>DATE</u>	<u>WORK PERFORMED</u>
BENNETT LAKE ZONE 10+11 CLAIM 1149385 ZONE 10+11 +13	JULY 24 /91	STRIP EAST SIDE ZONE 10
	JULY 25	STRIP NORTH SIDE ZONE 10
	JULY 26	STRIP OLD PIT ZONE 10
	JULY 27	DRILL-BLAST-TRENCH N.END PIT 2 ZONE 10
	JULY 28	DRILL-BLAST-TRENCH S.END PIT 2 ZONE 10
	JULY 30	DRILL-BLAST-TRENCH PIT 1 ZONE 10
	JULY 31	TRENCH-STRIP-SAMPLE ZONE 10
	AUG. 1	STRIP NORTH SIDE-S ZONE 11
	AUG. 2	STRIP CENTER SIDE-S ZONE 11
	AUG. 3	STRIP SOUTH SIDE ZONE 11
	AUG. 4	DRILL-BLAST-TRENCH W.SIDE PIT 3 ZONE 11
	AUG. 5	DRILL-BLAST-TRENCH E.SIDE PIT 3 ZONE 11
	AUG. 6	DRILL-BLAST-TRENCH W.SIDE PIT 4 ZONE 11
	AUG. 7	DRILL-BLAST-TRENCH E.SIDE PIT 4 ZONE 11
	AUG. 12	STRIP NORTH ZONE 11 L SHAPE
	AUG. 17	DRILL-BLAST-ZONE 11 FOR DEPTH
	AUG. 18	BLAST-TRENCH-SAMPLE ZONE 11
	AUG. 27	TRENCH-SAMPLE ZONE 10+11 WITH INCO EXPLORATIONS-ASSAY ENCL

LOCATION OF STRIPPING & TRENCHING

SKETCH ATTACHED

SKETCH OF TRENCHING & SAMPLING

SKETCH ATTACHED

DESCRIPTION OF SAMPLES

<u>SAMPLE NO</u>	<u>TYPE</u>	<u>ROCK TYPE</u>	<u>MINERALIZATION</u>	<u>ASSAY</u>
11	(CHIP 13 th)	QUARTZ	MINOR SULPHIDE	TR-A
12	(CHIP 2 nd)	RHYOLITE	MINOR SULPHIDE	TR-A
13	(CHIP 2 nd)	RHYOLITE	MINOR SULPHIDE	TR-A
14	(CHIP 2 nd)	RHYOLITE	MINOR SULPHIDE	27-PPB A

INCO ASSAY ENCLOSED

11, 12, 13, 14^s ARE ALSO ON NOV 27 ACTIVATION LABORATORIES ASSAY #3929

STRIPPING AND TRENCHING DAILY LOGS

<u>PROJECT AREA</u>	<u>DATE</u>	<u>WORK PERFORMED</u>
BENNETT LAKE ZONE 12	SEPT - 1	STRIP - PITS N- $\frac{1}{2}$ OF ZONE 12
	SEPT - 4	STRIP - CENTER ZONE 12
	SEPT - 5	STRIP - SOUTH $\frac{1}{3}$ OF ZONE 12
	SEPT - 7	DRILL - BLAST - TRENCH E HALF PIT 5 ZONE
	SEPT - 8	DRILL - BLAST - TRENCH W HALF PIT 5 - ZONE
	SEPT - 15	DRILL - BLAST - TRENCH E. HALF PIT 6 - ZONE
	SEPT - 22	DRILL - BLAST - TRENCH W - HALF PIT 6 - ZONE
	OCT - 2	DRILL - BLAST - TRENCH FOR DEPTH PITS ZONE

LOCATION OF STRIPPING AND TRENCHING

SKETCH ATTACHED

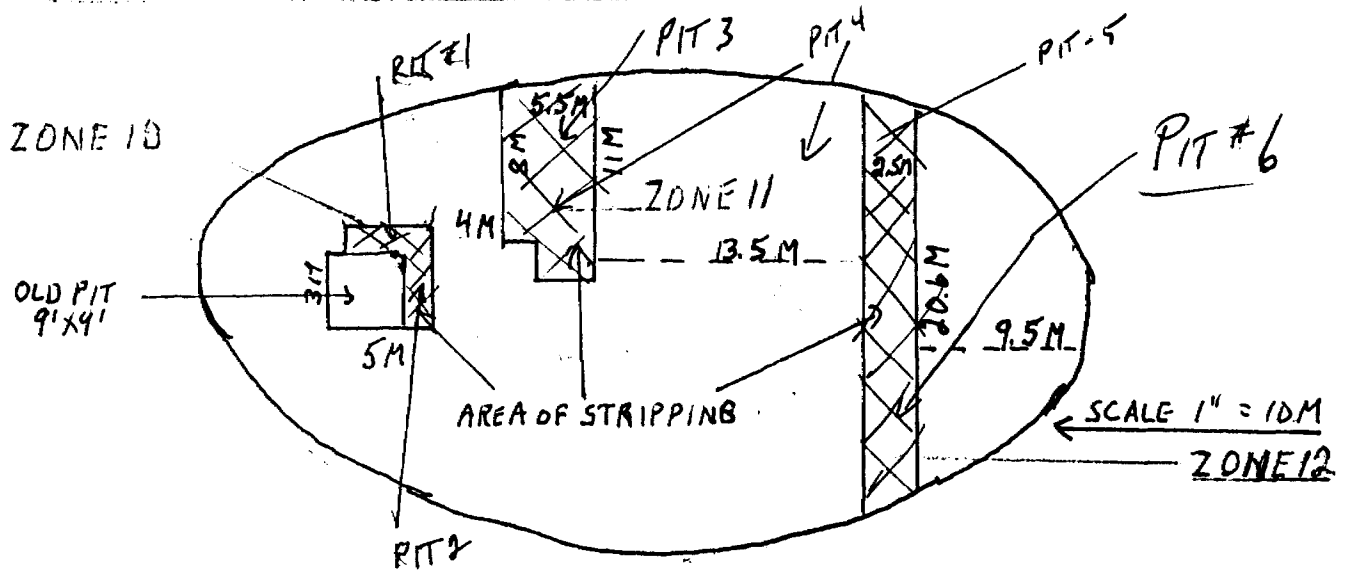
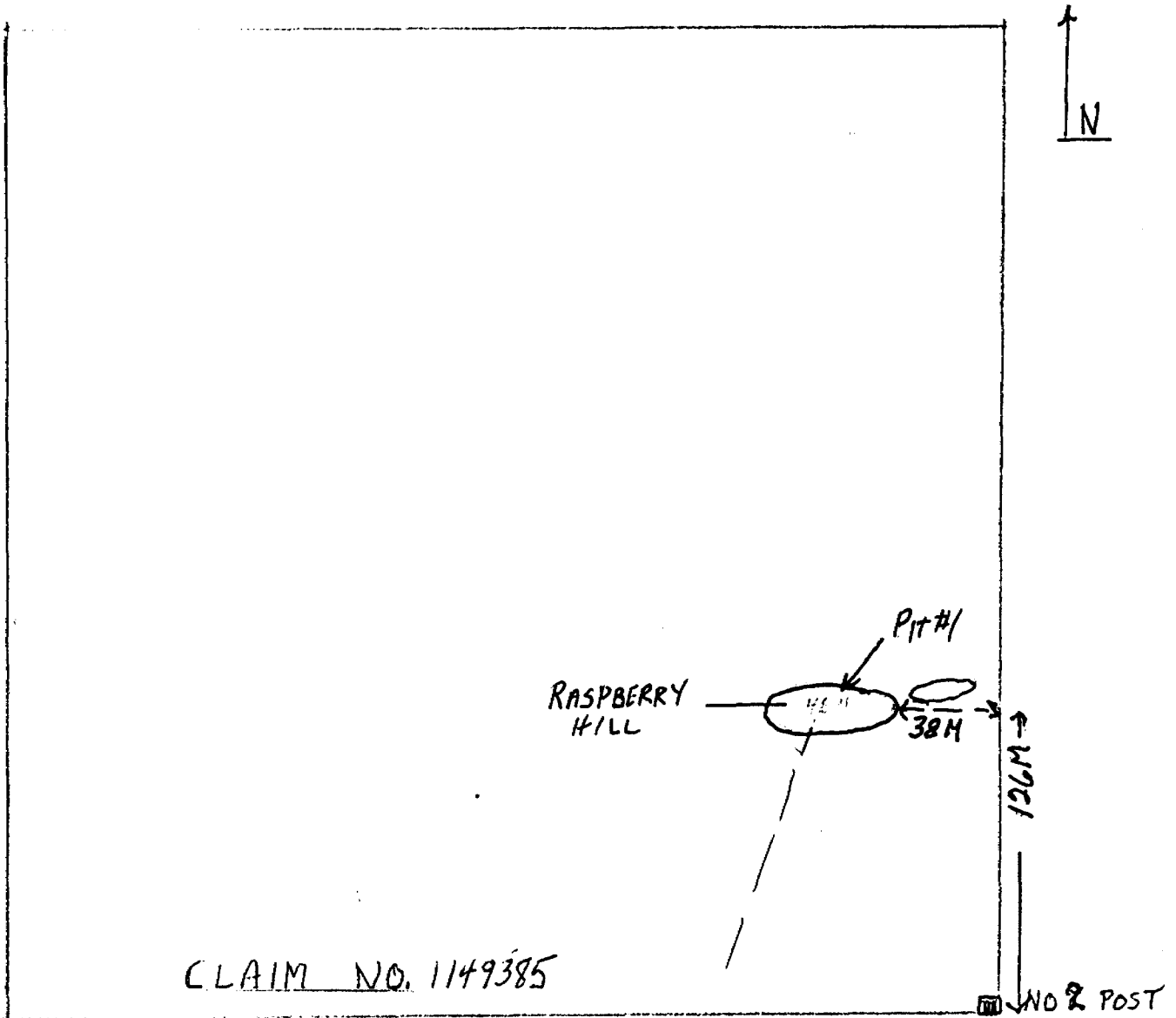
SKETCH OF TRENCHING AND SAMPLING

DESCRIPTION OF SAMPLES

<u>SAMPLE NO.</u>	<u>TYPE</u>	<u>ROCK TYPE</u>	<u>MINERALIZATION</u>	<u>ASSAY</u>
21	CHIP (3")	QTS. VEIN	MINOR SULPHIDE	TR - AU
22	CHIP (6")	RHYOLITE	MINOR SULPHIDE	TR - AU
23	CHIP (12")	RHYOLITE	MINOR SULPHIDE	TR - AU

1- PACE = 2.6' = 0.79248 M,
SCALE 1" = 66.66M

BENNETT LAKE TWP RAINY RIVER DISTRICT
LOCATION STRIPPING AND TRENCHING



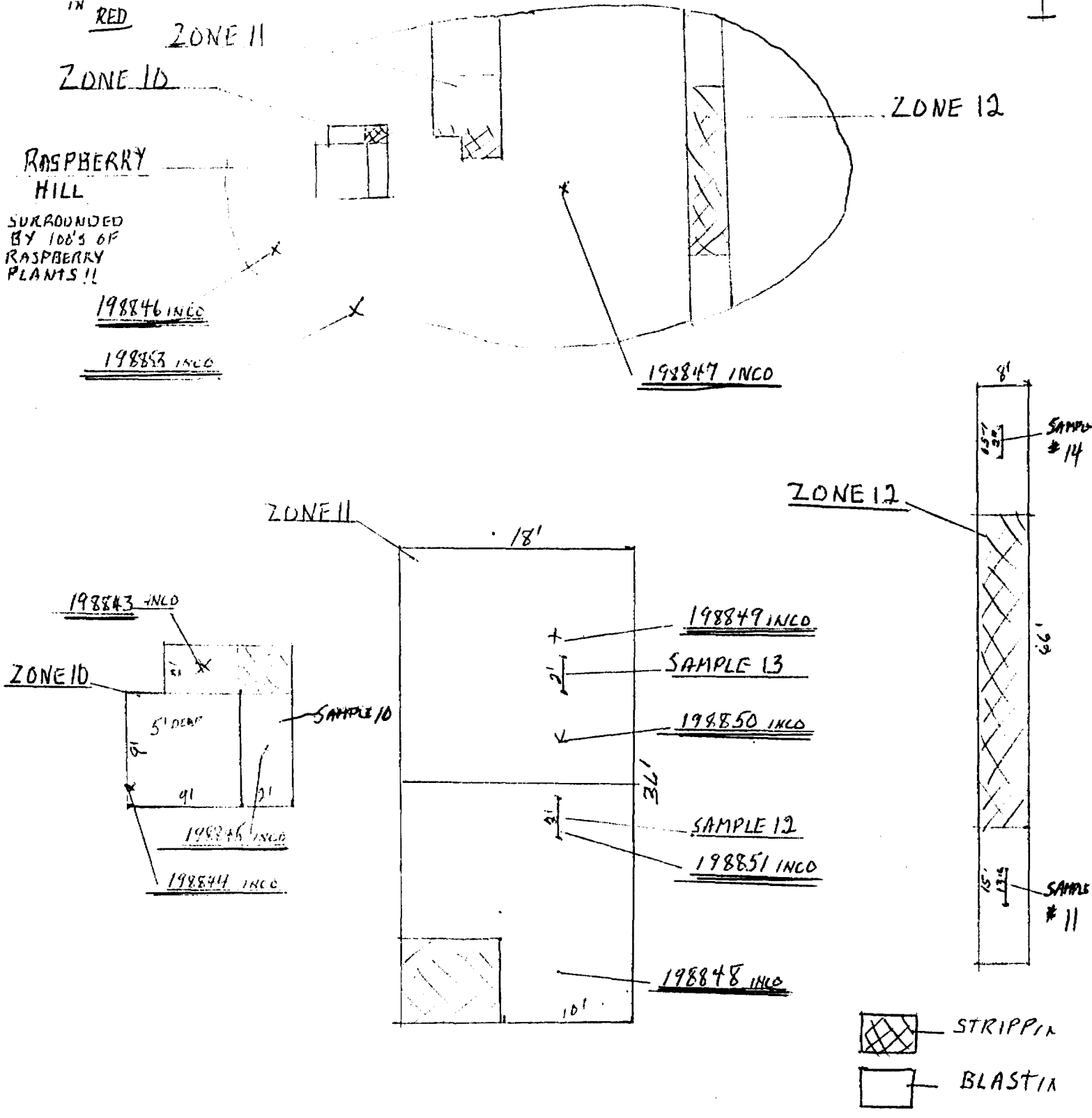
BENNETT LAKE TWP R.R. DISTRICT

STRIPPING
SKETCH OF TRENCHING AND SAMPLING

CLAIM NO. 1149385

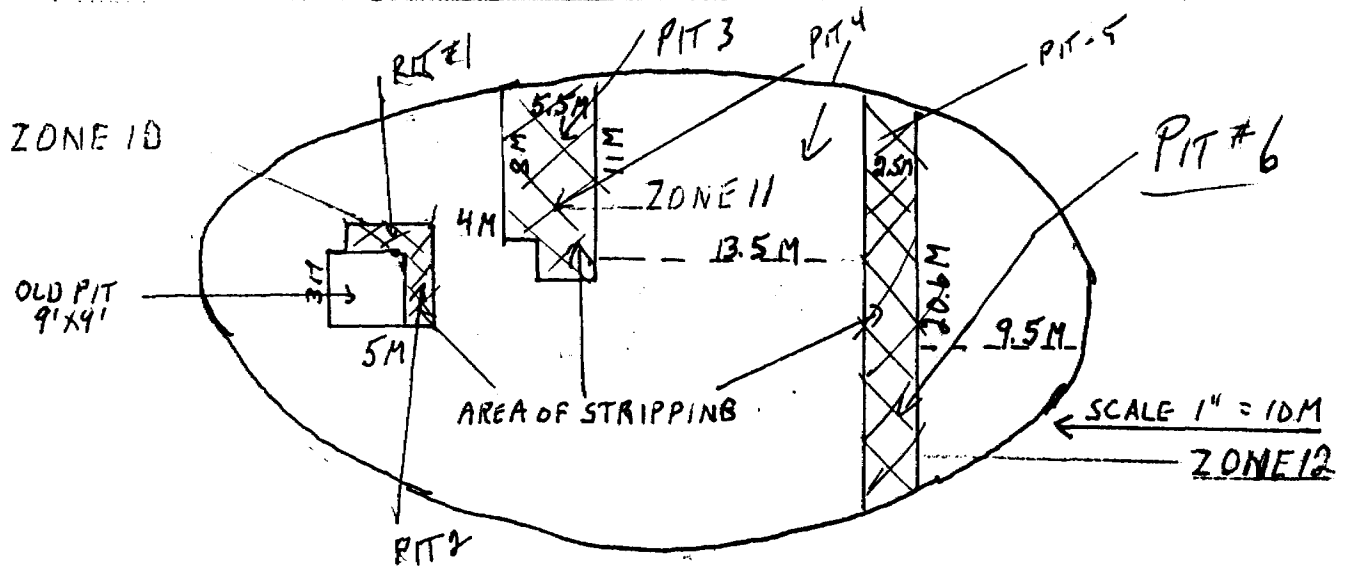
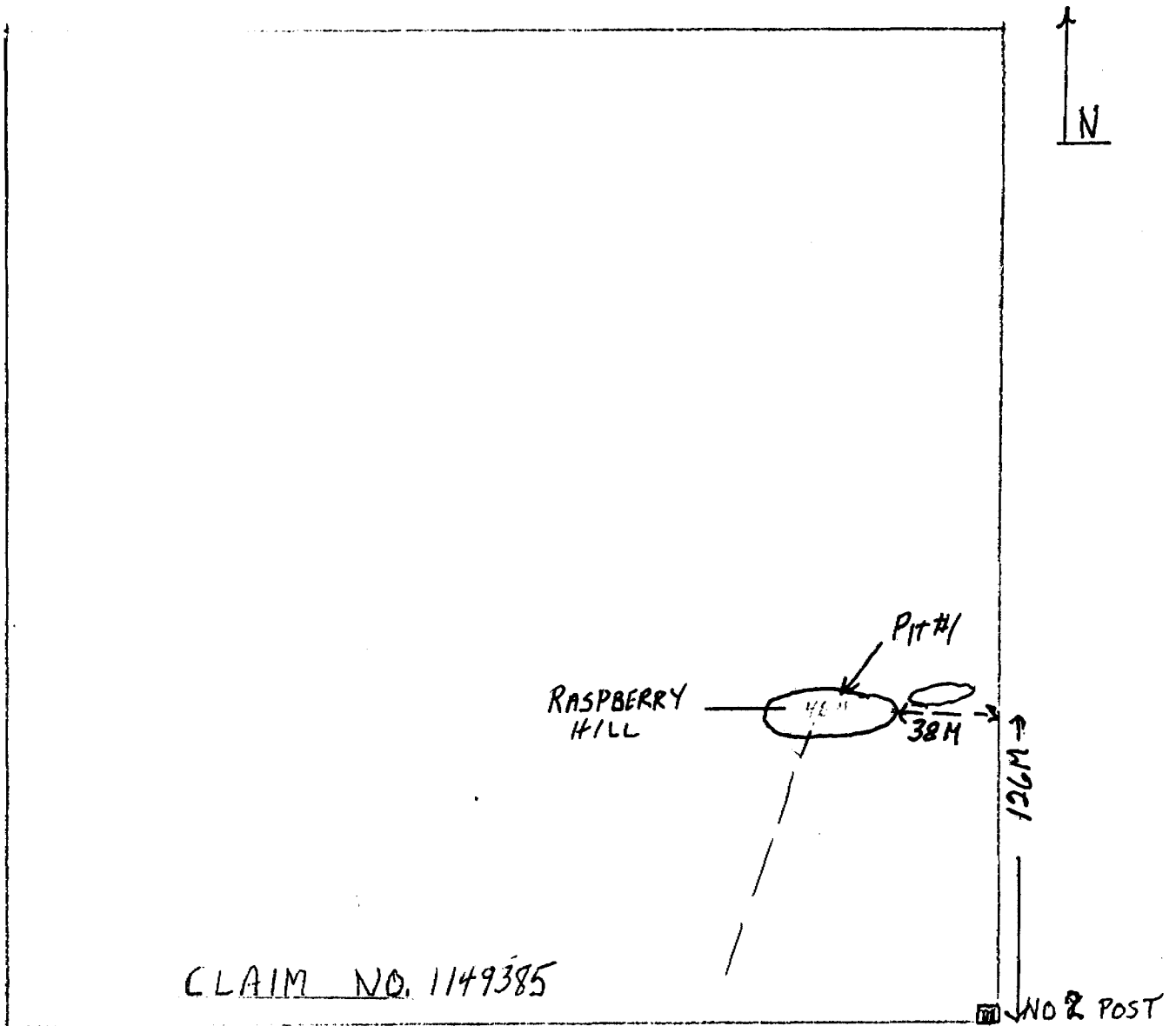


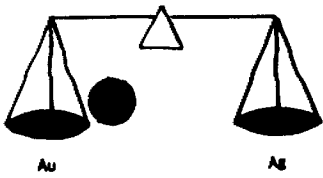
INCO
ASSAYS
IN RED



1- PACE = 9.6' = 0.79248 M,
SCALE 1" = 66.66M

BENNETT LAKE TWP RAINY RIVER DISTRICT
LOCATION STRIPPING AND TRENCHING





PAUL'S CUSTOM FIRE ASSAYING LTD.

Phone: Bus. (807) 662-8171

Res. (807) 662-3361

Fax: (807) 662-1155

PAUL OKANSKI, Assayer
Box 253, Cochenour, Ontario P0V 1L0

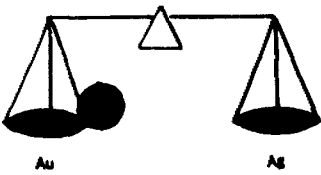
L. Cousineau

ASSAY CERTIFICATE

Date: July 11-91

Sample No.	Description	oz/ton Au	oz/ton Ag
1	#1 <i>May 10/91 Sample # 1</i>	Trace	
2	2 <i>" 12 " 1</i>	"	
3	3 <i>" 14 " 3</i>	"	
4	4+5 <i>" 16 " 4+5</i>	"	
5			
6			
7			
8			
9			
10			
11			
12			
13			
14			
15			
16			
17			
18			
19			
20			
21			
22			
23			
24			
25			

Assayer:



PAUL'S CUSTOM FIRE ASSAYING LTD.

Phone: Bus. (807) 662-8171

Res. (807) 662-3361

Fax: (807) 662-1155

PAUL OKANSKI, Assayer
Box 253, Cochenour, Ontario P0V 1L0

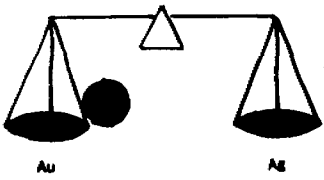
L Cousineau

ASSAY CERTIFICATE

Date: July 24-91

Sample No.	Description	oz/ton Au	oz/ton Ag
1	#1 July 7 Sample 6	Trace	
2	" 12 " 7	"	
3	" 14 " 9	"	
4	" 8 " 8	"	
5			
6			
7			
8			
9			
10			
11			
12			
13			
14			
15			
16			
17			
18			
19			
20			
21			
22			
23			
24			
25			

Assayer:



PAUL'S CUSTOM FIRE ASSAYING LTD.

Phone: Bus. (807) 662-8171

Res. (807) 662-3361

Fax: (807) 662-1155

PAUL OKANSKI, Assayer
Box 253, Cochenour, Ontario P0V 1L0

ASSAY CERTIFICATE

Date: Aug. 5-91

Sample No.	Description	oz/ton Au	oz/ton Ag
1	#1 *10 JULY 31	Trace	
2	2 *12 AUG 1	"	
3	3 *13 AUG 2	"	
4			
5			
6			
7			
8			
9			
10			
11			
12			
13			
14			
15			
16			
17			
18			
19			
20			
21			
22			
23			
24			
25			

Assayer: Paul Okanski

Activation Laboratories Ltd. Work Order: 3389 Report: 3429

Sample description	SR %	TA PPM	TH PPM	U PPM	V PPM	ZN PPM	LA PPM	CE PPM	NO PPM	SH PPM	EU PPM	TB PPM	YB PPM	LV PPM	Mass g		
1 AUG 18 - ZONE 11	<0.05	2	7.3	2.7	<4	<50	40	93	36	7.8	1.3	1.4	5.89	1.03	37.76	SAMPLE	14
2 " " "	<0.05	<1	7.3	1.1	<4	119	38	85	36	7.3	1.0	1.2	6.22	1.11	38.61	"	11
3 " " "	<0.05	<1	6.9	2.2	<4	2740	41	100	46	8.2	1.5	1.7	6.77	1.16	32.86	"	12
4 " " "	<0.05	3	7.9	2.1	<4	2150	40	99	39	7.9	1.1	1.6	6.48	1.14	32.04	"	13
5 OCT 31 - 5 " 12	<0.05	<1	4.7	1.3	<4	<50	27	63	29	4.7	0.7	0.7	4.32	0.76	26.48	"	4
6 AUG 18 ZONE 8	<0.05	<1	1.1	<0.5	<4	127	21	57	22	4.7	1.6	<0.5	2.08	0.40	29.54	"	17
7 OCT 27 " 12	<0.05	<1	7.9	3.0	7	<50	31	67	26	3.7	1.3	<0.5	1.51	0.27	30.25	"	1
8 AUG 18 " 5	<0.05	2	13	4.3	<4	155	91	230	100	20	4.1	3.6	18.6	3.27	26.50	"	15
9 " " 6	<0.05	1	6.9	1.9	<4	<50	37	85	34	7.2	0.8	1.3	7.02	1.17	31.23	"	16
10 OCT 30 " 13	<0.05	2	8.3	2.9	<4	355	46	130	57	11	2.1	2.1	11.3	2.00	28.89	"	3
11 OCT 31 " 10	<0.05	<1	0.7	<0.5	<4	<50	2	<3	<5	0.3	<0.2	<0.5	0.27	<0.05	41.92	"	2

P.3/3

NOV 27 '91 17:51 ACTIVATION LABS

INCO

Sample description	AU PPB	AG PPM	AS PPH	BA PPH	BR PPH	CA %	CO PPH	CR PPH	CS PPH	FE %	HF PPM	HG PPM	IR PPB	K %	MO PPH	NA PPH	NI PPH	RB PPH	SS PPH	SC PPH	SE PPH
RX 198843	8	<5	7	720	<1	<1	<5	44	<2	1.29	6.6	<1	<5	2.6	<5	5020	<50	47	0.9	2.4	<5
RX 198844	19	<5	9	590	<1	<1	<5	49	<2	1.35	7.3	<1	<5	1.9	<5	13400	<50	52	1.3	2.8	<5
RX 198845	5	<5	8	740	<1	<1	<5	53	<2	1.12	6.2	<1	<5	2.0	<5	4440	<50	39	1.2	2.4	<5
RX 198846	<5	<5	5	530	<1	<1	<5	54	<2	0.94	5.9	<1	<5	<0.9	<5	14900	<50	36	0.9	2.5	<5
RX 198847	<5	<5	5	590	<1	<1	<5	53	<2	0.86	6.8	<1	<5	<0.8	<5	10500	<50	39	1.0	2.2	<5
RX 198848	<5	<5	8	740	<1	<1	<5	62	<2	1.15	6.4	<1	<5	<0.8	<5	9730	60	42	1.1	2.0	<5
RX 198849	<5	<5	9	970	<1	<1	<5	63	<2	1.24	7.0	<1	<5	3.5	<5	2630	<50	46	1.3	2.4	<5
RX 198850	<5	<5	8	890	<1	<1	<5	55	<2	1.22	6.6	<1	<5	4.8	<5	4050	50	51	1.1	2.5	<5
RX 198851	14	<5	7	670	<1	<1	<5	82	<2	1.15	5.6	<1	<5	<0.7	<5	3550	<50	34	1.9	2.2	<5
RX 198852	<5	<5	<2	250	<1	<1	<5	49	<2	1.70	5.9	<1	<5	3.6	<5	15200	<50	56	0.8	2.2	<5
RX 198853	<5	<5	4	330	<1	<1	<5	82	<2	0.99	4.4	<1	<5	<0.8	<5	13500	<50	<30	0.9	1.6	<5
RX 198854	8	<5	2	<100	<1	<1	<5	73	<2	1.13	6.7	<1	<5	<1.0	<5	26900	<50	<30	0.8	1.3	<5
RX 198855	6	<5	<2	490	<1	<1	<5	82	<2	1.56	11	<1	<5	7.0	<5	22900	53	<30	0.8	2.9	<5
RX 198856	<5	<5	<2	370	<1	<1	<5	75	<2	1.18	11	<1	<5	<1.1	<5	20100	<50	<30	0.8	2.6	<5
RX 198857	<5	<5	7	340	<1	2	26	29	<2	7.24	4.4	<1	<5	<1.1	<5	21500	<50	41	1.0	24	<5

LOUISIANA

(INCD)

Activation Laboratories Ltd.

Work Order: 3086

Report: 3095

Sample description	SN %	SR %	TA PPM	TH PPM	V PPM	W PPM	ZN PPM	LA PPM	CE PPM	ND PPM	SH PPM	EU PPM	TB PPM	YB PPM	LU PPM	CU PPM	PB PPM	Mass g
RX 198843	<0.01	<0.05	<1	6.6	2.3	<4	113	36	87	35	7.0	1.0	1.2	6.05	1.01	16	68	30.00
RX 198844	<0.01	<0.05	2	7.1	1.4	<4	171	39	92	40	7.8	1.2	1.4	6.71	1.16	17	520	30.00
RX 198845	<0.01	<0.05	1	6.9	2.5	<4	421	37	88	41	7.3	1.2	1.4	6.18	1.10	46	510	30.00
RX 198846	<0.01	<0.05	1	6.5	1.7	<4	76	35	85	38	7.2	1.2	1.3	6.10	1.03	5	42	30.00
RX 198847	<0.01	<0.05	2	7.3	2.8	<4	97	39	90	41	7.8	1.2	1.5	6.70	1.16	10	150	30.00
RX 198848	<0.01	<0.05	1	6.4	1.2	<4	186	37	88	39	7.4	1.1	1.4	5.84	1.01	19	160	30.00
RX 198849	<0.01	<0.05	1	7.2	2.0	<4	317	41	96	41	8.0	1.3	1.3	6.62	1.15	6	770	30.00
RX 198850	<0.01	<0.05	<1	6.4	2.1	<4	205	39	90	37	7.5	1.1	1.3	6.17	1.10	8	460	30.00
RX 198851	<0.01	<0.05	<1	5.9	1.5	<4	2230	32	77	32	6.3	1.0	1.1	5.14	0.87	75	1800	30.00
RX 198852	<0.01	<0.05	<1	6.0	2.3	<4	74	23	58	25	5.1	0.8	1.1	6.12	1.07	9	30	30.00
RX 198853	<0.01	<0.05	<1	5.0	2.1	<4	<50	25	59	27	5.2	0.6	0.9	3.28	<0.05	13	10	30.00
RX 198854	<0.01	<0.05	<1	5.5	1.7	<4	<50	32	75	31	6.9	1.2	1.7	9.26	1.55	1	4	30.00
RX 198855	<0.01	<0.05	2	9.2	2.6	<4	62	47	120	49	10	1.9	2.4	15.2	2.55	6	6	30.00
RX 198856	<0.01	<0.05	2	9.3	3.5	<4	55	45	110	46	10	1.7	2.5	14.2	2.38	8	12	30.00
RX 198857	<0.01	<0.05	<1	2.2	<0.5	<4	102	18	45	17	4.7	1.5	1.0	5.04	0.88	190	<2	30.00

OUR NUMBER	063470
DATE	MARCH 28/1992
CUSTOMER'S ORDER	
SALESMAN	
TERMS	
F.O.B.	

SOLD TO RAY COUSINEAU
430 1ST ST E
 SHIPPED TO FORT FRANCES, ONT.
 ADDRESS BENNETT LAKE TWP VIA G. 2667.

INVOICE

1991 →	May 9, 10, 12, 14, 16				
	Prospecting				
	STRIPPING, TRENCHING, ASSAYING				
1991 →	June 2, 9, 16, 22, 23, 24				
	July 3, 4, 7, 8, 10, 14, 21				
	July 24, 25, 26, 27, 28, 30, 31				
	Aug. 1, 2, 3, 4, 5, 6, 7, 12, 17, 18, 27				
	Sept 1, 4, 5, 7, 8, 15, 22				
	Oct 2				
	44 days @ 150				6600.00

BROWNLIN 832

OUR NUMBER	063468
DATE	
CUSTOMER'S ORDER	
SALESMAN	
TERMS	
F.O.B.	

SOLD TO LOUIS COUSINEAU
P.O. BOX 33
 SHIPPED TO FORT FRANCES ONT.
 ADDRESS BENNETT TWP. VIA G. 2667

INVOICE

1991					
MAY 9, 1991	May 9, 10, 12, 14, 16				
	Prospecting				
	STRIPPING, TRENCHING, ASSAYING				
1991 →	June 2, 9, 16, 22, 23, 26,				
	July 3, 4, 7, 8, 10, 14, 21				
	July 24, 25, 26, 27, 28, 30, 31				
	AUG. 1, 2, 3, 4, 5, 6, 7, 12, 17, 18, 27				
	SEPT. 1, 4, 5, 7, 8, 15, 22				
	Oct - 2				
	44 Days @ 150-				6600.00

BROWNLIN 832

OUR NUMBER	063470
DATE	MARCH 28/1992
CUSTOMER'S ORDER	
SALESMAN	
TERMS	
F.O.B.	

SOLD TO RAY COUSINEAU
430 1ST ST E
 SHIPPED TO FORT FRANCES, ONT.
 ADDRESS BENNETT LAKE TWP VIA G.2667

INVOICE

1991	→ May 9, 10, 12, 14, 16	Prospecting			
		STRIPPING, TRENCHING, ASSAYING			
1991	→ June 2, 9, 10, 22, 23, 24				
	July 3, 4, 7, 8, 10, 14, 21				
	July 24, 25, 26, 27, 28, 30, 31				
	AUG. 1, 2, 3, 4, 5, 6, 7, 12, 17, 18, 27				
	SEPT. 1, 4, 5, 7, 8, 15, 22				
	Oct 3,				
		44 days @ 150			6600.00

BROWNLINE B32

OUR NUMBER	063468
DATE	
CUSTOMER'S ORDER	
SALESMAN	
TERMS	
F.O.B.	

SOLD TO LOUIS COUSINEAU
P.O. BOX 33
 SHIPPED TO FORT FRANCES ONT.
 ADDRESS BENNETT TWP. VIA G.2667

INVOICE

1991					
MAY 9, 1991	→ May 9, 10, 12, 14, 16	Prospecting			
		STRIPPING, TRENCHING, ASSAYING			
1991	→ June 2, 9, 10, 22, 23, 24				
	July 3, 4, 7, 8, 10, 14, 21				
	July 24, 25, 26, 27, 28, 30, 31				
	AUG. 1, 2, 3, 4, 5, 6, 7, 12, 17, 18, 27				
	SEPT. 1, 4, 5, 7, 8, 15, 22				
	Oct - 2,				
		44 Days @ 150-			6600.00

BROWNLINE B32

OUR NUMBER	063471
DATE	March 27, 1992
CUSTOMER'S ORDER	
SALESMAN	
TERMS	
F.O.B.	

SOLD TO KEN DESTARDINS
518 NELSON ST.
 SHIPPED TO FORT FRANCES, ONT P9A 1B4
 ADDRESS BENNETT LAKE VIA G 2667

INVOICE

1991	→	May 9, 10, 12, 14, 16 (Prospecting)			
1991	→	STRIPPING TRENCHING, ASSAYING			
		June 2, 9, 16, 22, 23, 26			
		July 3, 4, 7, 8, 10, 14, 21			
		July 24, 25, 26, 27, 28, 30, 31			
		Aug. 1, 2, 3, 4, 5, 6, 7, 12, 17, 18, 27			
		Sept. 1, 4, 5, 7, 8, 15, 22			
		Oct. 2,			
		144 Days @ 150			6,600 00

BROWNLIN 832

RECEIVED

MAY 4 - 1992

MINING LANDS BRANCH



Ontario



52C16SW8250 2.14554 BENNETT LAKE

900

Ministry of
Northern Development
and Mines

Ministère du
Développement du Nord
et des Mines

Mining Lands Branch
Geoscience Approvals Section
159 Cedar Street, 4th Floor
Sudbury, Ontario
P3E 6A5

Telephone: (705) 670-7267
Fax: (705) 670-7262

July 28, 1992

Mining Recorder
Ministry of Northern Development
and Mines
808 Robertson Street
P.O. Box 5200
Kenora, Ontario
P9N 3X9

ONTARIO GEOLOGICAL SURVEY
GIB - ASSESSMENT FILES
AUG 6 7 1992
RECEIVED

File: 2.14554
Transaction #W9210.031

Dear Sir/Madam:

Subject: APPROVAL OF ASSESSMENT WORK CREDITS ON MINING CLAIMS
K1149459 ET AL. IN BENNETT LAKE AREA

A notice of deficiency was not given by the Minister within 90 days of the work reports being filed. The assessment work credits are deemed approved under Section 6(5) of the Mining Act Regulations.

The approval date for the Prospecting work (Section 9) is July 26, 1992.

Please indicate this approval on your claim record sheets.

Yours sincerely,

Ron C. Gashinski
Senior Manager, Mining Lands Branch
Mines and Minerals Division

LJ/jl
Enclosures:

cc: Resident Geologist
Kenora, Ontario

✓ Assessment Files Office
Toronto, Ontario



Ontario Mining Lands

Mining Act

Personal information collected on this form is obtained under the authority of the Mining Act. This information will be used for correspondence. Questions about this collection should be directed to the Provincial Manager, Mining Lands, Ministry of Northern Development and Mines, Fourth Floor, 159 Cedar Street, Sudbury, Ontario, P3E 6A5, telephone (705) 670-7264.

2. 14554

- Instructions:
- Please type or print and submit in duplicate.
 - Refer to the Mining Act and Regulations for requirements of filing assessment work or consult the Mining Recorder.
 - A separate copy of this form must be completed for each Work Group.
 - Technical reports and maps must accompany this form in duplicate.
 - A sketch, showing the claims the work is assigned to, must accompany this form.

Recorded Holder(s) RAY COUSINEAU		Client No. 121646
Address 430 1ST ST. E. (P.O. BOX 33) FORT FRANCES ONT. P9A 3M5		Telephone No. 807-274-3923
Mining Division KENORA	Township/Area BENNETT LAKE	M or G Plan No. 62667
Date Work Performed From: MAY 5 1991		To: MAY 8, 1991

Work Performed (Check One Work Group Only)

Work Group	RECEIVED Type
Regional Surveys	MAY 4 - 1992
Prospecting	PROSPECTING MINING LANDS BRANCH 3 days @ \$150 + 25% x 1 day

Total Assessment Work Claimed on the Attached Statement of Costs \$ 488

Note: The Minister may reject for assessment work credit all or part of the assessment work submitted if the recorded holder cannot verify expenditures claimed in the statement of costs within 30 days of a request for verification.

Persons and Survey Company Who Performed the Work (Give Name and Address of Author of Report)

Name	Address
RAY COUSINEAU	430 1ST ST. E. (P.O. BOX 33) FORT FRANCES ONT. (P9A 3M5)
LOUIS COUSINEAU (AUTHOR)	P.O. BOX 33 FORT FRANCES ONT. (P9A 3M5)
KEN DESTARDINS	518 NELSON ST. FORT FRANCES ONT. (P9A 1B4)

(attach a schedule if necessary)

Certification of Beneficial Interest * See Note No. 1 on reverse side

I certify that at the time the work was performed, the claims covered in this work report were recorded in the current holder's name or held under a beneficial interest by the current recorded holder.	Date APRIL 20, 1992	Recorded Holder or Agent (Signature) <i>[Signature]</i>
--	------------------------	--

Certification of Work Report

I certify that I have a personal knowledge of the facts set forth in this work report, having performed the work or witnessed it during and/or after its completion, and the annexed report is true.		
Name and Address of Person Certifying RAY COUSINEAU 430 1ST ST. E. (P.O. BOX 33) FORT FRANCES ONT. P9A 3M5		
Telephone No. 807-274-3923	Date APRIL 20 1992	Certified By (Signature) <i>[Signature]</i>

For Office Use Only

Total Value Cr. Recorded \$ 488	Date Recorded April 27/92	Mining Recorder <i>[Signature]</i>	<table border="1"> <tr> <td colspan="2">KENORA MINING DIV.</td> </tr> <tr> <td colspan="2">RECEIVED</td> </tr> <tr> <td colspan="2">APR 27 1992</td> </tr> <tr> <td>AM</td> <td>PM</td> </tr> <tr> <td colspan="2">7891011 12123456</td> </tr> </table>	KENORA MINING DIV.		RECEIVED		APR 27 1992		AM	PM	7891011 12123456	
	KENORA MINING DIV.												
	RECEIVED												
APR 27 1992													
AM	PM												
7891011 12123456													
Deemed Approval Date July 26/92	Date Approved												
Date Notice for Amendments Sent													



Ontario

Ministry of
Northern Development
and Mines

Ministère du
Développement du Nord
et des Mines

Mining Lands Branch
Geoscience Approvals Section
159 Cedar Street, 4th Floor
Sudbury, Ontario
P3E 6A5

Telephone: (705) 670-7267
Fax: (705) 670-7262

July 28, 1992

Our File: 2.14554
Transaction #W9210.033

Mining Recorder
Ministry of Northern Development
and Mines
808 Robertson Street
P.O. Box 5200
Kenora, Ontario
P9N 3X9

Dear Sir/Madam:

Subject: APPROVAL OF ASSESSMENT WORK CREDITS ON MINING CLAIMS
K1149370 ET AL. IN BENNETT LAKE AREA

A notice of deficiency was not given by the Minister within 90 days of the work reports being filed. The assessment work credits are deemed approved under Section 6(5) of the Mining Act Regulations.

The approval date for the Prospecting work (Section 9) is July 26, 1992.

Please indicate this approval on your claim record sheets.

Yours sincerely,

Ron C. Gashinski
Senior Manager, Mining Lands Branch
Mines and Minerals Division

LJ/jl
Enclosures:

cc: Resident Geologist
Kenora, Ontario

✓ Assessment Files Office
Toronto, Ontario



Mining Lands

Personal information collected on this form is obtained under the authority of the Mining Act. This information will be used for correspondence. Questions about this collection should be directed to the Provincial Manager, Mining Lands, Ministry of Northern Development and Mines, Fourth Floor, 159 Cedar Street, Sudbury, Ontario, P3E 6A5, telephone (705) 670-7264.

2.14554

- Instructions:
- Please type or print and submit in duplicate.
 - Refer to the Mining Act and Regulations for requirements of filing assessment work or consult the Mining Recorder.
 - A separate copy of this form must be completed for each Work Group.
 - Technical reports and maps must accompany this form in duplicate.
 - A sketch, showing the claims the work is assigned to, must accompany this form.

Recorded Holder(s) LOUIS COUSINEAU	Client No. 121624
Address 272 SCOTT ST. (P.O. Box 33) FORT FRANCES ONE (P9A 3M5)	Telephone No. 807-274-3761
Mining Division KENORA	Township/Area BENNETT LAKE
	M or G Plan No. G 2667
Date Work Performed From: MAY 9 - 1991	To: OCT. 2 - 1991

Work Performed (Check One Work Group Only)

Work Group	Type
Geotechnical Survey	
Physical Work, including Drilling	PROSPECTING - STRIPPING - TRENCHING - BLASTING
Rehabilitation	
Other Authorized Work	RECEIVED
Assays	MAY 4 - 1992
Assignment from Reserve	MINING LANDS BRANCH

Total Assessment Work Claimed on the Attached Statement of Costs \$ **21,506.00**

Note: The Minister may reject for assessment work credit all or part of the assessment work submitted if the recorded holder cannot verify expenditures claimed in the statement of costs within 30 days of a request for verification.

Persons and Survey Company Who Performed the Work (Give Name and Address of Author of Report)

Name	Address
LOUIS COUSINEAU (AUTHOR)	P.O. BOX 33 FORT FRANCES ONT. P9A 3M5
RAY COUSINEAU	430 1ST ST. E FORT FRANCES ONT. P9A 3M5
KEN DESJARDINS	518 NELSON ST. FORT FRANCES ONT. P9A 1B4

(attach a schedule if necessary)

Certification of Beneficial Interest * See Note No. 1 on reverse side

I certify that at the time the work was performed, the claims covered in this work report were recorded in the current holder's name or held under a beneficial interest by the current recorded holder.	Date APRIL 22 1992	Recorded Holder or Agent (Signature) <i>Louis Cousineau</i>
--	------------------------------	--

Certification of Work Report

I certify that I have a personal knowledge of the facts set forth in this Work report, having performed the work or witnessed same during and/or after its completion and annexed report is true.		
Name and Address of Person Certifying LOUIS COUSINEAU P.O. BOX 33 FORT FRANCES ONT. P9A 3M5		
Telephone No. 807-274-3761	Date APRIL 22 1992	Certified By (Signature) <i>Louis Cousineau</i>

For Office Use Only

Total Value Cr. Recorded \$ 21,506	Date Recorded Apr. 27/92	Mining Recorder <i>Scott Rivett</i>	Received Stamp KENORA MINING DIV. RECEIVED APR 27 1992 AM 7891011 12123456 PM
	Deemed Approval Date July 26/92	Date Approved	
	Date Notice for Amendments Sent		

Work Report Number for Applying Reserve	Claim Number (see Note 2)	Number of Claim Units
	1149370	1
	1149371	1
	1149372	1
	1149373	1
	1149385	1
	1149386	1
	1149387	1
	7	

Total Number of Claims

Value of Assessment Work Done on this Claim	Value Applied to this Claim
150	1900
	1900
	2000
300	2000
20,906	2000
	2000
150	2000
21,506	13800

Total Value Work Done

Total Value Work Applied

Value Assigned from this Claim	Reserve: Work to be Claimed at a Future Date
11,200	7706
11,200	7706

Total Assigned From

Total Reserve

Credits you are claiming in this report may be cut back. In order to minimize the adverse effects of such deletions, please indicate from which claims you wish to prioritize the deletion of credits. Please mark (✓) one of the following:

1. Credits are to be cut back starting with the claim listed last, working backwards.
2. Credits are to be cut back equally over all claims contained in this report of work.
3. Credits are to be cut back as prioritized on the attached appendix.

In the event that you have not specified your choice of priority, option one will be implemented.

Note 1: Examples of beneficial interest are unrecorded transfers, option agreements, memorandum of agreements, etc., with respect to the mining claims.

Note 2: If work has been performed on patented or leased land, please complete the following:

I certify that the recorded holder had a beneficial interest in the patented or leased land at the time the work was performed.

Signature: Louis Lawrence Date: April 11, 1972

Statement of Costs for Assessment Credit

État des coûts aux fins du crédit d'évaluation

Transaction No./N° de transaction
W9210-033

Mining Act/Loi sur les mines

Personal information collected on this form is obtained under the authority of the Mining Act. This information will be used to maintain a record and ongoing status of the mining claim(s). Questions about this collection should be directed to the Provincial Manager, Minings Lands, Ministry of Northern Development and Mines, 4th Floor, 159 Cedar Street, Sudbury, Ontario P3E 6A5, telephone (705) 670-7264.

Les renseignements personnels contenus dans la présente formule sont recueillis en vertu de la Loi sur les mines et serviront à tenir à jour un registre des concessions minières. Adresser toute question sur la collecte de ces renseignements au chef provincial des terrains miniers, ministère du Développement du Nord et des Mines, 159, rue Cedar, 4^e étage, Sudbury (Ontario) P3E 6A5, téléphone (705) 670-7264.

1. Direct Costs/Coûts directs

Type	Description	Amount Montant	Totals Total global
Wages Salaires	Labour 3 MEN 39 Main-d'œuvre DAYS		
	Field Supervision Supervision sur le terrain		17550
Contractor's and Consultant's Fees Droits de l'entrepreneur et de l'expert-consult	Type		
	PROSPECTING 5 DAYS @ 150		750
Supplies Used Fournitures utilisées	Type		
	38 FASCITE @ 240	9120	
	44' B-LINE @ 50	2200	
	12 FOSSE @ 325	3900	
			152
Equipment Rental Location de matériel	Type		
Total Direct Costs Total des coûts directs			18452

2. Indirect Costs/Coûts indirects

** Note: When claiming Rehabilitation work Indirect costs are not allowable as assessment work. Pour le remboursement des travaux de réhabilitation, les coûts indirects ne sont pas admissibles en tant que travaux d'évaluation.

Type	Description	Amount Montant	Totals Total global
Transportation Transport	Type		
	39 DAYS TRUCK 161 KM @ 30¢		4830
Food and Lodging Nourriture et hébergement	LOUIS 39 DAYS @ 10	390	
	RAY 39 DAYS @ 10	390	
	KEN 39 DAYS @ 10	390	1170
Mobilization and Demobilization Mobilisation et démoblisation			
Sub Total of Indirect Costs Total partiel des coûts indirects			3054
Amount Allowable (not greater than 20% of Direct Costs) Montant admissible (n'excédant pas 20 % des coûts directs)			3054
Total Value of Assessment Credit (Total of Direct and Allowable Indirect costs)			21506

RECEIVED
MAY 4 - 1992
MINING LANDS BRANCH

Note: The recorded holder will be required to verify expenditures claimed in this statement of costs within 30 days of a request for verification. If verification is not made, the Minister may reject for assessment work all or part of the assessment work submitted.

Note : Le titulaire enregistré sera tenu de vérifier les dépenses demandées dans le présent état des coûts dans les 30 jours suivant une demande à cet effet. Si la vérification n'est pas effectuée, le ministre peut rejeter tout ou une partie des travaux d'évaluation présentés.

Filing Discounts

- Work filed within two years of completion is claimed at 100% of the above Total Value of Assessment Credit.
- Work filed three, four or five years after completion is claimed at 50% of the above Total Value of Assessment Credit. See calculations below:

Total Value of Assessment Credit	Total Assessment Claimed
	x 0.50 =

Remises pour dépôt

- Les travaux déposés dans les deux ans suivant leur achèvement sont remboursés à 100 % de la valeur totale susmentionnée du crédit d'évaluation.
- Les travaux déposés trois, quatre ou cinq ans après leur achèvement sont remboursés à 50 % de la valeur totale du crédit d'évaluation susmentionné. Voir les calculs ci-dessous.

Valeur totale du crédit d'évaluation	Evaluation totale demandée
	x 0,50 =

Certification Verifying Statement of Costs

I hereby certify: that the amounts shown are as accurate as possible and these costs were incurred while conducting assessment work on the lands shown on the accompanying Report of Work form.

that as LOUIS COUSINEAU I am authorized (Recorded Holder, Agent, Position in Company)

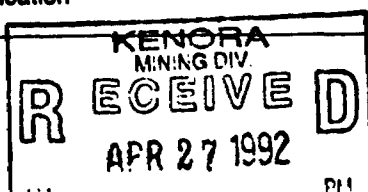
to make this certification

Attestation de l'état des coûts

J'atteste par la présente : que les montants indiqués sont le plus exact possible et que ces dépenses ont été engagées pour effectuer les travaux d'évaluation sur les terrains indiqués dans la formule de rapport de travail ci-joint.

Et qu'à titre de _____ je suis autorisé (titulaire enregistré, représentant, poste occupé dans la compagnie)

à faire cette attestation.



Signature: Louis Cousineau Date: April 22, 1992

MANION LAKE AREA - G-2686

LITTLE TURTLE LAKE AREA - G-2682

LEGEND

- HIGHWAY AND ROUTE No.
- OTHER ROADS
- TRAILS
- SURVEYED LINES
- TOWNSHIP'S BASE LINES, ETC.
- LOTS, MINING CLAIMS, PARCELS, ETC.
- UNSURVEYED LINES
- LOT LINES
- PARCEL BOUNDARY
- MINING CLAIMS ETC.
- RAILWAY AND RIGHT OF WAY
- UTILITY LINES
- NON PERENNIAL STREAM
- FLOODING OR FLOODING RIGHTS
- SUBDIVISION OR COMPOSITE PLAN
- RESERVATIONS
- ORIGINAL SHORELINE
- MARSH OR MUSKEG
- MINES
- TRAVERSE MONUMENT

DISPOSITION OF CROWN LANDS

TYPE OF DOCUMENT	SYMBOL
PATENT, SURFACE & MINING RIGHTS	●
" SURFACE RIGHTS ONLY	○
" MINING RIGHTS ONLY	○
LEASE SURFACE & MINING RIGHTS	○
" SURFACE RIGHTS ONLY	○
" MINING RIGHTS ONLY	○
LICENCE OF OCCUPATION	○
ORDER-IN-COUNCIL	OC
RESERVATION	○
CANCELLED	○
SAND & GRAVEL	○

NOTE: MINING RIGHTS IN PARCELS PATENTED PRIOR TO MAY 6, 1915, VESTED IN ORIGINAL PATENTEES BY THE PUBLIC LANDS ACT, R.S.O. 1970, CHAP. 380, SEC. 63, SUBSEC. 1.

REFERENCES

AREAS WITHDRAWN FROM DISPOSITION

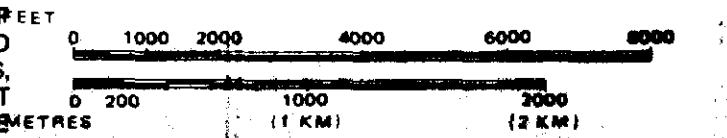
- M.R.O. - MINING RIGHTS ONLY
- S.R.O. - SURFACE RIGHTS ONLY
- M+S. - MINING AND SURFACE RIGHTS

Description	Order No.	Date	Disposition	File
SAND AND GRAVEL				

SAND AND GRAVEL

- ① GRAVEL FILE 162718
- ② M.T.C. PIT 1089 GRAVEL FILE 162718
- ③ M.T.C. PIT 1058
- ④ GRAVEL FILE 16799 vol.7
- ⑤ M.N.R. Gravel Reserve No 228, File 162718
- ⑥ M.T.C. PIT N^o 1B-14

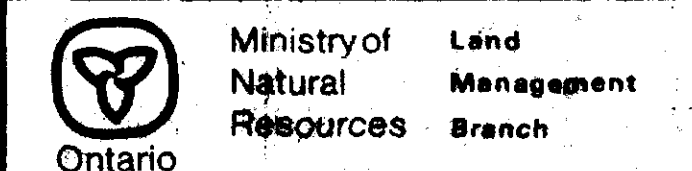
SCALE: 1 INCH = 40 CHAINS



47. THE INFORMATION THAT APPEARS ON THIS MAP HAS BEEN COMPILED FROM VARIOUS SOURCES, AND ACCURACY IS NOT GUARANTEED. PERSONS WISHING TO STAKE MINING CLAIMS SHOULD CONSULT WITH THE MINING RECORDER, MINISTRY OF NORTHERN DEVELOPMENT AND MINES, FOR ADDITIONAL INFORMATION ON THE STATUS OF THE LANDS SHOWN HEREIN.

BENNETT LAKE

M.N.R. ADMINISTRATIVE DISTRICT KENORA
 FORT FRANCES MINING DIVISION
 KENORA LAND TITLES / REGISTRY DIVISION
 RAINY RIVER



Date FEBRUARY, 1984

Number:

M-2392

G-2667

Effectual
 as from
 Oct. 25/84

RECEIVED
 MAY 4 - 1992
 MINING LANDS BRANCH

HARBURN LAKE AREA - G-2675

BENNETT TWP.
 FOR STATUS REFER TO TWP PLAN

Indian Reserve No. 23

WILD POTATO LAKE AREA - G-2703

2.14554

