



52J02SW8649 23 FOURBAY LAKE

010

Diamond Drilling

Area of FOURBAY LAKE

Report NO 23

Work performed by: Silversides Mines Limited

Claim NO	Hole NO	Footage	Date	Note
Pa. 247230	1	200'	July/73	(1)
Pa. 247226	2	200'	Aug/73	(1)
Pa. 247223	3	200'	Aug/73	(1)
TOTAL	<u>3 DH</u>	<u>600 FT</u>		

Notes:

(1) (May/74) 121/73

DIAMOND DRILL RECORD

Hole No. 1

PROPERTY SILVERSIDES MINES LIMITED

Sheet No. 1

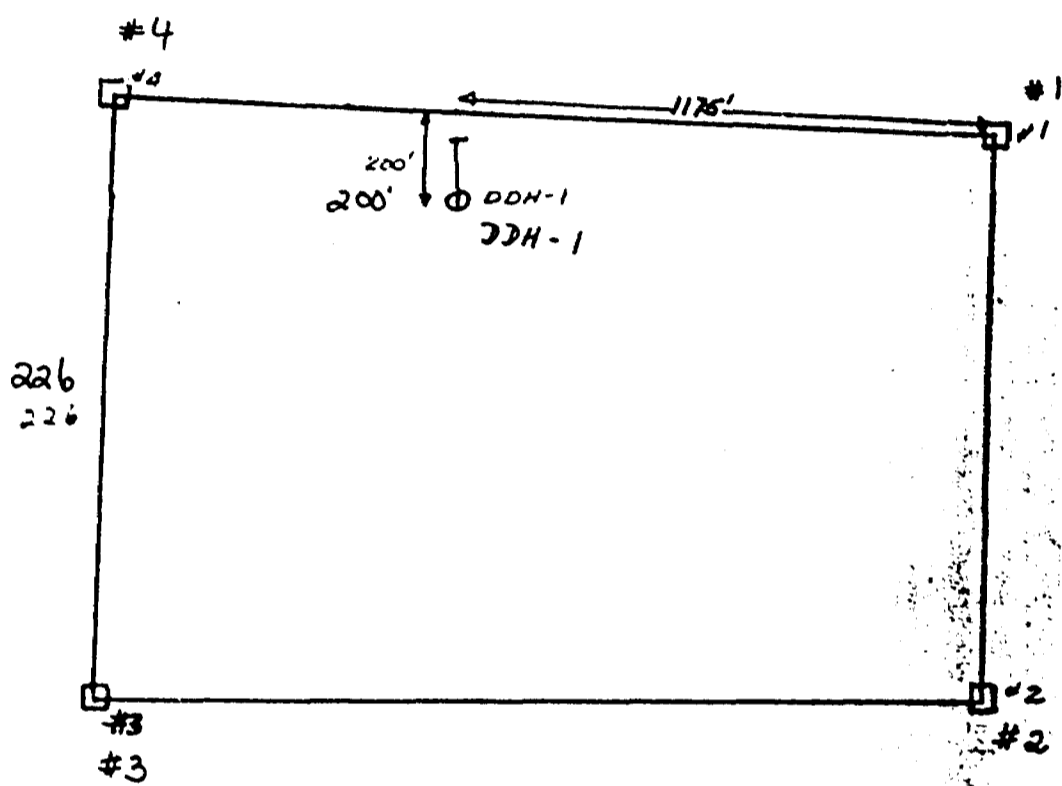
Location: Claim No. P.A. 247230
 Lat. 13°30'S
 Dep. 20100M
 Elevation of Collar 40'
 Datum Sturgeon Lake
 Bearing 360°
 Direction at Start:
 Dip -45°

Started July 19, 1973
 Completed July 24, 1973
 Ultimate Depth 200'
 Proposed Depth 200'

Date	Feet Drilled	Total Depth	Section			Remarks (Log)	Core Recovery	Foliation Inclination
			From	To	Feet			
			0	10.8	10.8	Casing.		
			10.8	85.0	74.2	Very fine-grained, massive greenish black meta-volcanic - probably basalt - some slight foliation. Carbonate seams weather brown.		
			85.0	105.0	20.0	Coarser phase of above - may be coarse center of flow		
			105.0	190.0	85.0	As 10.8-85.0 - pyrite and pyrrhotite ubiquitous.		
			190.0	200.0	10.0	Coarser phase of above.		
						- End of Hole -		

Drilled by Thunder Bay Drilling Ltd.

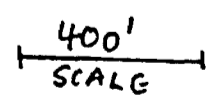
D.C. Martin
 Engineer in Charge



SKETCH SHOWING
 LOCATION
 DIAMOND DRILL HOLE #1
 Pa. 247230

BEARING = 360°
 DIP = -45°
 DEPTH = 200'

SCALE: 1" = 400'



M.W.B.

DIAMOND DRILL RECORD.

Hole No. 2

PROPERTY SILVERSIDES MINES LIMITED

Sheet No. 1

Location: Claim No. P.A.247226
 Lat. 18°80S
 Dep. 35°77W
 Elevation of Collar 40'
 Datum Sturgeon Lake

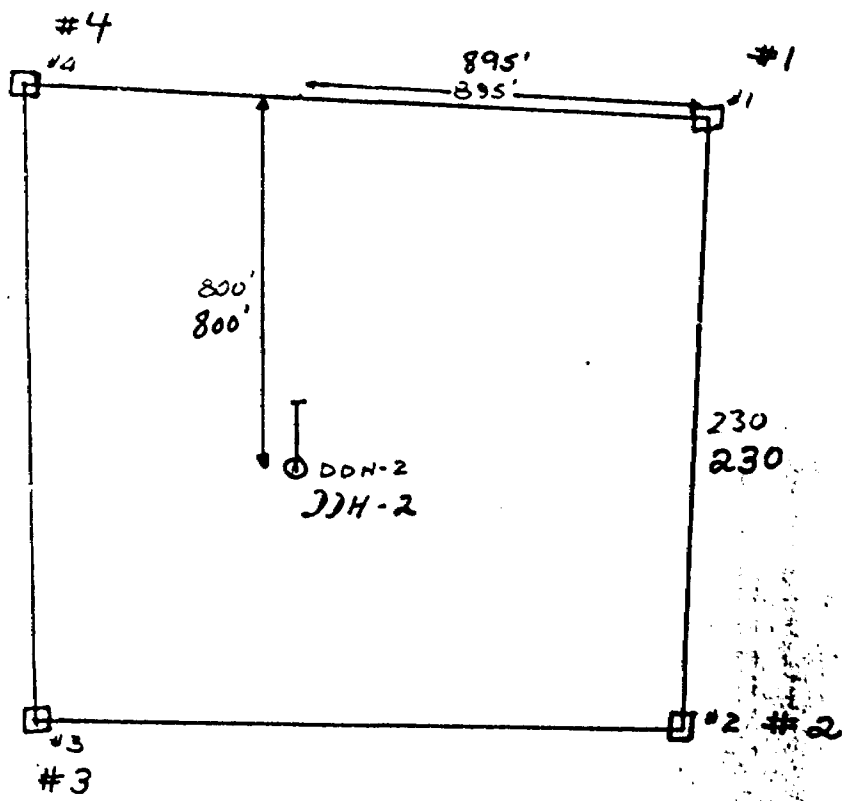
Started August 2, 1973
 Completed August 7, 1973
 Ultimate Depth 200'
 Proposed Depth 200'

Direction at Start: Bearing 360°
 Dip -45°

Date	Feet Drilled	Total Depth	Section			Remarks (Log)	Core Recovery	Foliation Inclination
			From	To	Feet			
			0.0	17.9	17.9	Very fine grained, massive greenish black metavolcanic - probably basalt - disseminated pyrite and pyrrhotite		
			17.9	21.3	3.4	Many irregular small carbonate veinlets.		
			21.3	200.00	178.7	As 0.0-17.9 - slight foliations at 40°, 80°-90°, 120°, 200° - carbonate stringers on veinlets at 40°, 90°, 120°, 200° - pyrite and pyrrhotite throughout core length.		
						- End of Hole -		

Drilled by Thunder Bay Drilling Ltd.

D. C. Martin
 Engineer in Charge

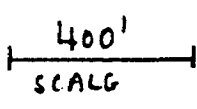


2

SKETCH SHOWING
 LOCATION
 DIAMOND DRILL HOLE #2
 Pa. 247226

BENRING = 360°
 DIP = -45°
 DEPTH = 200'

SCALE: 1" = 400'



M.H.B

DIAMOND DRILL RECORD

Hole No. 3

PROPERTY SILVERSIDES MINES LIMITED

Sheet No. 1

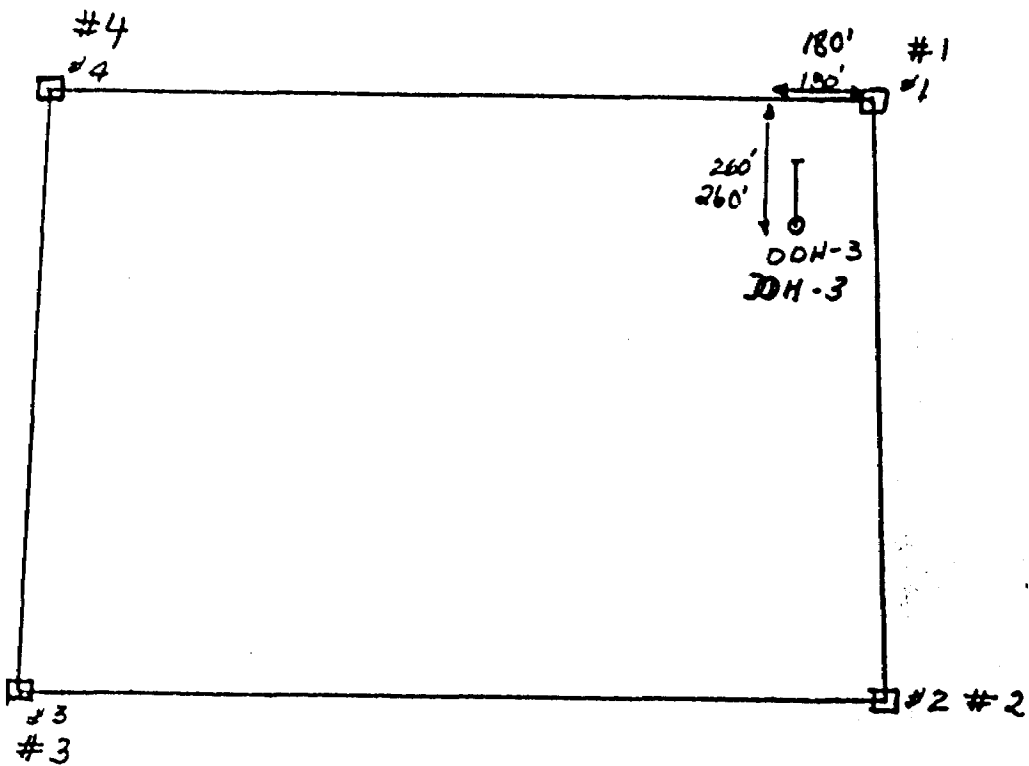
Location: Claim No. P.A. 247223
 Lat. 13°00'S
 Dep. 44°00'W
 Elevation of Collar 25'
 Datum Sturgeon Lake
 Bearing 360°
 Direction at Start:
 Dip -45°

Started August 10, 1973
 Completed August 13, 1973
 Ultimate Depth 200'
 Proposed Depth 200'

Date	Feet Drilled	Total Depth	Section			Remarks (Log)	Core Recovery	Foliation Inclination
			From	To	Feet			
			0	15.0	15.0	Casing.		
			15.0	50.0	35.0	Very fine grained massive mafic metavolcanic rock with local accumulations of carbonate with disseminated pyrite and pyrrhotite.		
			50.0	56.5	6.5	Sheared and sericitized quartz porphyry. Contacts with metavolcanics on each side not distinct.		
			56.5	63.8	7.3	As 15.0 to 50.0.		
			63.8	64.4	0.6	Lost core.		
			64.4	146.0	81.6	Very fine grained massive metavolcanic with much introduced carbonate as disseminations and veinlets - pyrite and pyrrhotite		

Drilled by _____

 Engineer in Charge



#3

SKETCH SHOWING
 LOCATION
 DIAMOND DRILL NO. 3
 No. 247233

BEARING = 360°
 DIP = 46°
 DEPTH = 200'

SCALE: 1" = 400'

400'
 SCALE

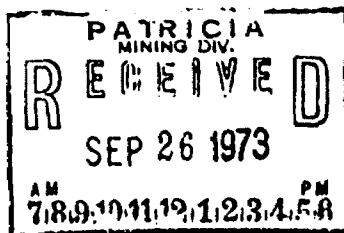
MWB

REPORT
ON
DIAMOND DRILLING
AT
KING BAY PROPERTY
SILVERSIDES MINES LIMITED

Thunder Bay, Ontario.

M. W. Bartley & Associates Ltd.

September 7, 1973.



8

INTRODUCTION

Silversides Mines Limited accepted the recommendation contained in "A Report on the General Geology as Related to Certain Anomalies on the Property of Silversides Mines Limited, Sturgeon Lake Area, Ontario" and sank three diamond drill holes to test the source of the anomalies in the central part of its King Bay property.

CONCLUSIONS

The three diamond drill holes encountered massive, fine grained metavolcanic rock with local zones of carbonate and disseminated pyrite and pyrrhotite.

No sulphides of economic significance are present in the drill core.

RECOMMENDATIONS

The claims should be maintained pending the results of exploration on neighbouring properties.

PROPERTY AND LOCATION

The Silversides Mines Limited property consists of 31 claims registered as:

P.A. 244301 to P.A. 244305 inclusive

P.A. 247201 to P.A. 247208 inclusive

P.A. 244213 to P.A. 247230 inclusive

The claim group is situated immediately west of King Bay, Sturgeon Lake, and approximately five miles east of Highway 599 from Ignace to Savant. Easiest access is by float or ski-equipped aircraft from Ignace or Savant.

EXPLORATION

The areas of conductive zones as outlined by Prospecting Geophysics Limited were mapped by D.C. Martin of M.W. Bartley & Associates Ltd. during July and August, 1971.

Surface exposures in the vicinity of the electromagnetic conductors in the central part of the claim group consist of narrow shear zones in mafic metavolcanics containing carbonate and some pyrite and pyrrhotite. The amount of sulphide visible seemed insufficient to produce the recorded anomalies. For this reason diamond drilling to determine the source of the conductors was deemed advisable.

Three diamond drill holes, each 200 feet long, were located at 20+00 W and 13+30S, 35+77W and 18+80S, and 44+00W and 13+00S to test Zones

"B", "C" and "A". The location of the second hole was changed from 32+00W and 9+00S as previously recommended in order to test Zone "C".

The drill holes cut massive, fine grained metavolcanic rock which has local sections containing carbonate and uniformly disseminated pyrite and pyrrhotite. The carbonate is white to buff and weathers brown indicating an iron content. Minor flecks of chalcopyrite occur at widely separated locations.

None of the mineralization is of economic significance.

Respectfully submitted,

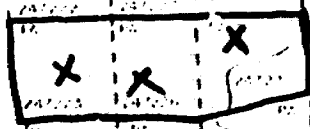
M. W. Bartley, P. Eng.
President.

MWB:mm

Thunder Bay, Ontario.

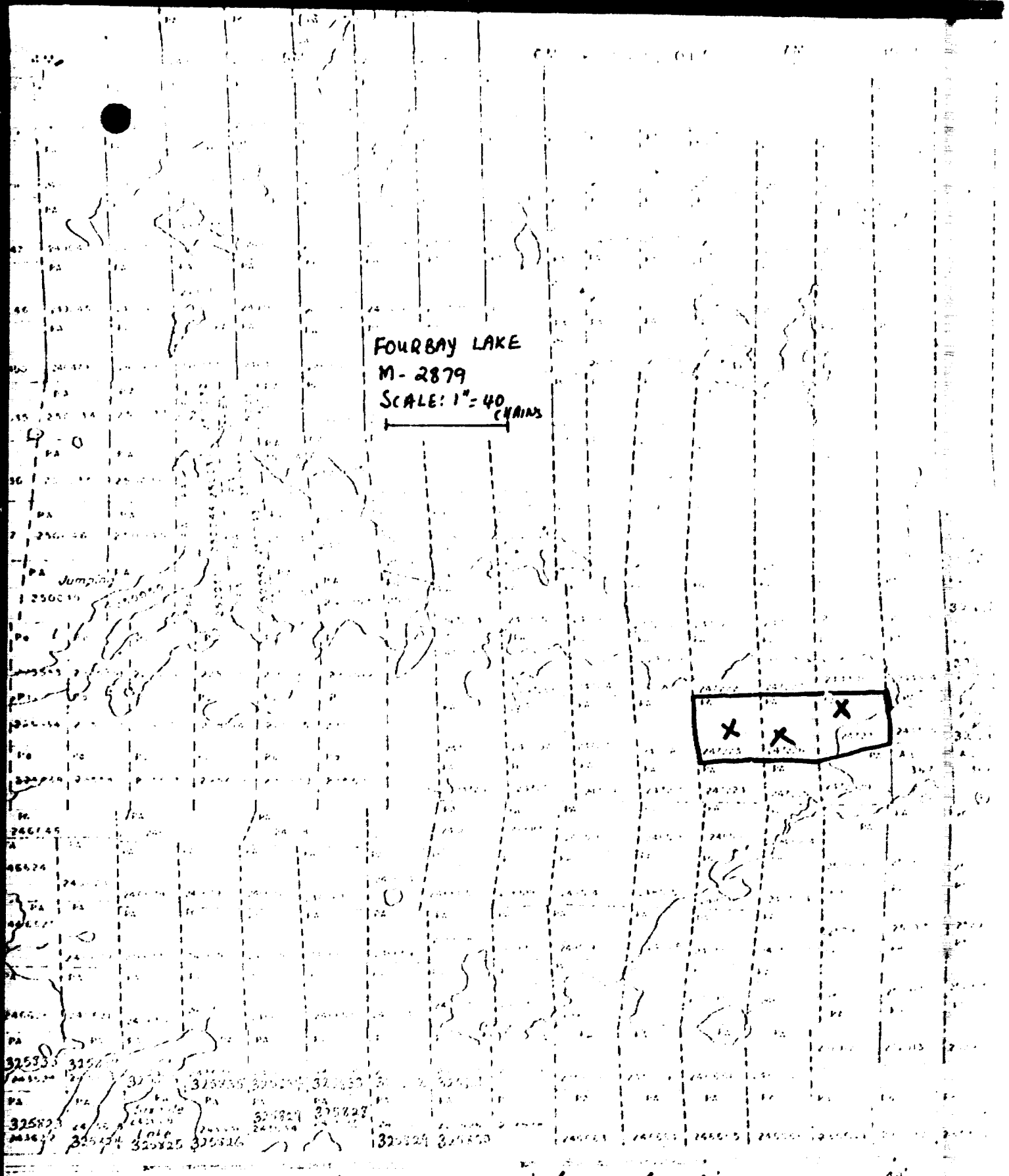
September 7, 1973.

FOURBAY LAKE
M-2879
SCALE: 1" = 40 CHAINS



Area - M.2877

FOUR BAY LAKE
M-2879

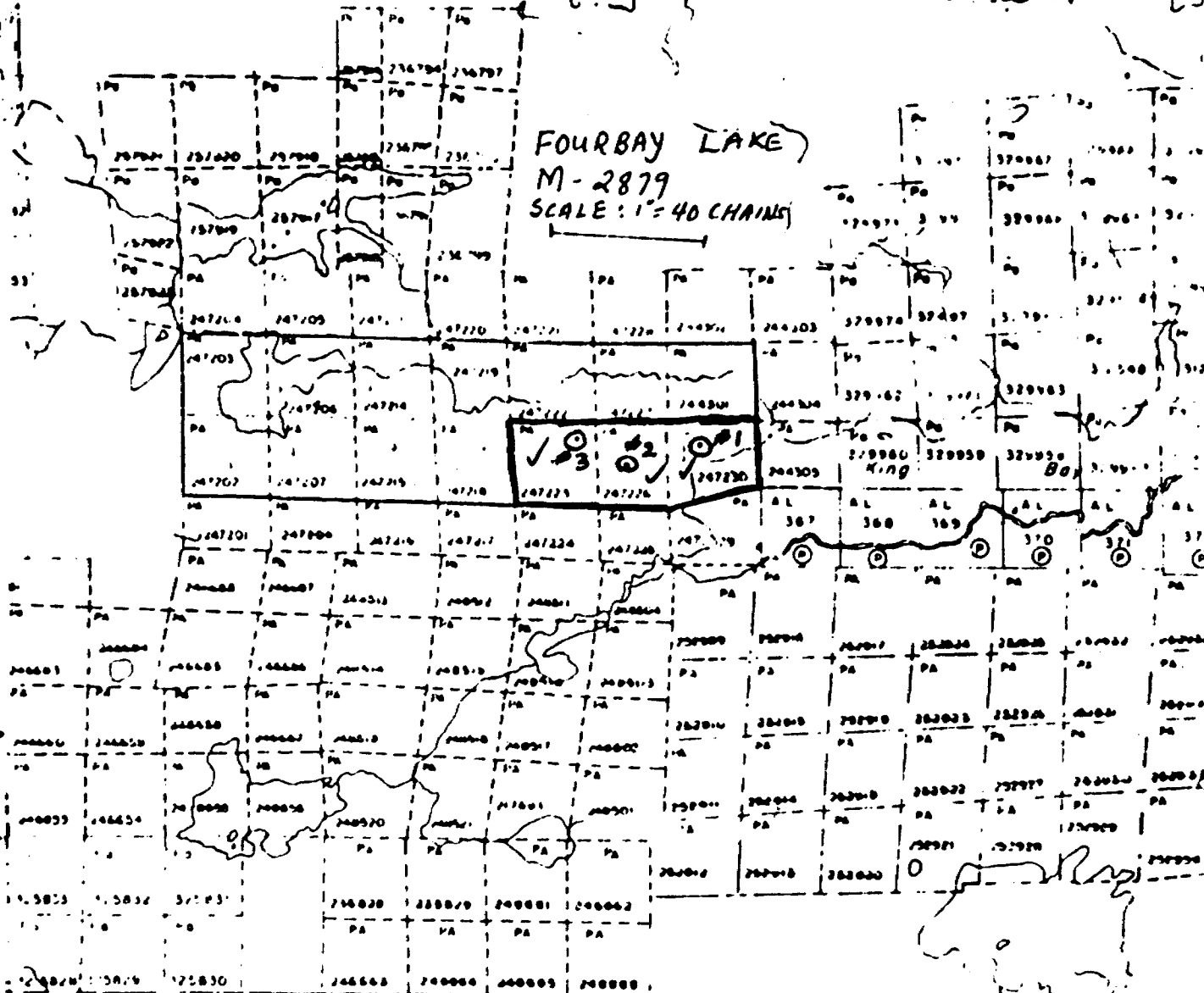




52J025W8649 23 FOURBAY LAKE

900

FOURBAY LAKE
M-2879
SCALE: 1" = 40 CHAINS



51 50 49 48 47

MINISTRY OF NATURAL RESOURCES

RECEIVED

OCT 16 1973



ONTARIO

FOURBAY LAKE

M-2879

525/02SW

A separate form is required for each type of work to be recorded.

121

REGIONAL OFFICE, KENORA THE MINING ACT REPORT OF WORK (29)

To the Recorder of Patricia Mining Division

I, Silverides Mines Limited name of Recorded Holder A 38520 Miner's Licence

Suite 901, 159 Bay Street, Toronto, Ontario Post Office Address

do hereby report the performance of 600 days of Diamond drilling type of work

not before reported to be applied on the following contiguous claims

Claim No.	Days	Claim No.	Days	Claim No.	Days
PA.244301	..40.	PA.247219	..40.	PA.247203	..40.
PA.247230	..50.	PA.247218	..40.	PA.247204	..40.
PA.247226	..50.	PA.247214	..40.	
PA.247227	..50.	PA.247215	..40.	
PA.247222	..40.	PA.247206	..40.	
PA.247223	..50.	PA.247207	..40.	

Geological Branch UDM ASSESSMENT DIVISION RESEARCH OFFICE OCT 1 1973 RECEIVED

All the work was performed on Mining Claim (s) PA.247230, PA.247226, and PA.247223 (In the case of geological and/or geophysical survey (s) where more than 18 claims are involved attach a schedule)

READ CAREFULLY: THE FOLLOWING INFORMATION IS REQUIRED BY THE MINING RECORDER.

- For Manual Work, Stripping or Opening up of Mines, Sinking Shafts or Other Actual Mining Operations - Names and addresses of the men who performed the work and the dates and hours of their employment.
- For Diamond and other Core Drilling - Footage, No. and angle of holes and diameter of core. Name and address of owner or operator of drill. Dates when drilling was done. Signed core log and sketch in duplicate.
- For Compressed Air or Other Power Driven or Mechanical Equipment Type of drill or equipment. Names and addresses of men engaged in operating equipment and the dates and hours of their employment.
- For Power Stripping - Type of equipment. Name and address of owner or operator. Amount expended. Dates on which work was done. Proof of actual cost must be submitted within 30 days of recording.
- With each of the above types of work sketches are required to show the location and extent of the work in relation to the nearest claim post. In the case of diamond or other core drilling the sketch must be submitted in duplicate.
- For Geological and Geophysical Survey - The names and addresses of men employed as well as dates. Type of instrument used in the case of geophysical survey. Reports and maps in duplicate must be filed with the Minister within 60 days of recording.
- For Land Survey - the name and address of Ontario Land surveyor.

The Required Information is as Follows: (Attach a list if this space is insufficient)

Three holes were drilled, one on each of claims PA.247230, PA.247226, and PA.247223 by Thunder Bay Drilling Ltd., Thunder Bay, Ontario, during the period July 19 to August 13, 1973.

Each hole was inclined at -45° and each was drilled to a depth of 200 feet and the core recovered has a diameter of 1 1/2 inches.

Attached are sketches of the hole locations.

Date September 19, 1973 Signature of Recorder or Agent

The Mining Act Certificate Verifying Report of Work

I, M.W. Bartley, M.W. Bartley & Associates Limited 231 Arthur Street, Thunder Bay P, Ontario P7B 1A7 (Post Office Address)

hereby certify:

- That I have a personal and intimate knowledge of the facts set forth in the report of work annexed hereto, having performed the work or witnessed same during and/or after its completion.
- That the annexed report is true.

Dated September 19, 1973 Signature M.W. Bartley

RECEIVED SEP 26 1973 AM 7:8.9-10-11-12-1-2-3-4-5-6 PM

Pa. 244301

THE PENALTY FOR MAKING A FALSE STATEMENT IN THIS REPORT AND/OR CERTIFICATE IS \$500. OR SIX MONTHS IMPRISONMENT OR BOTH